

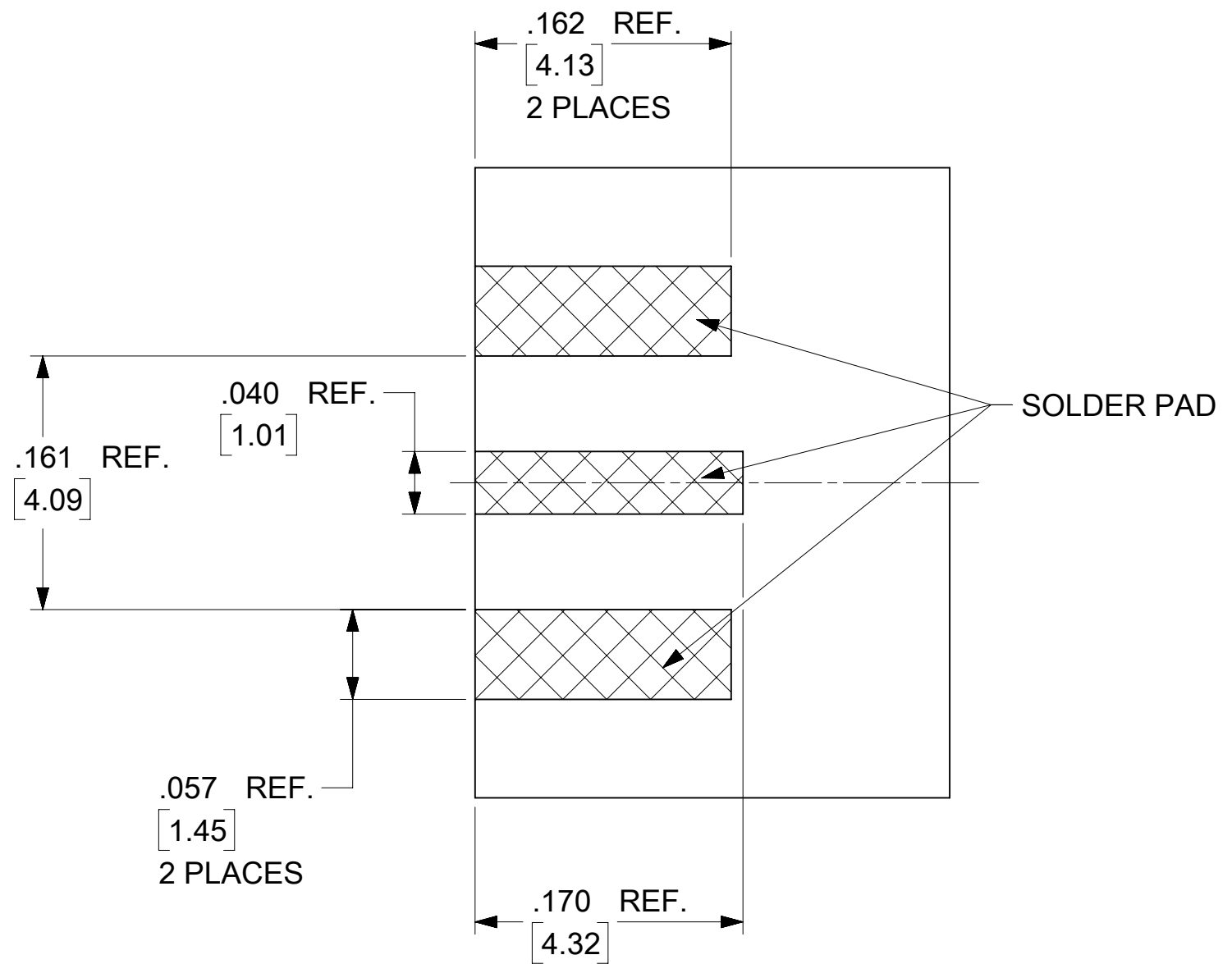
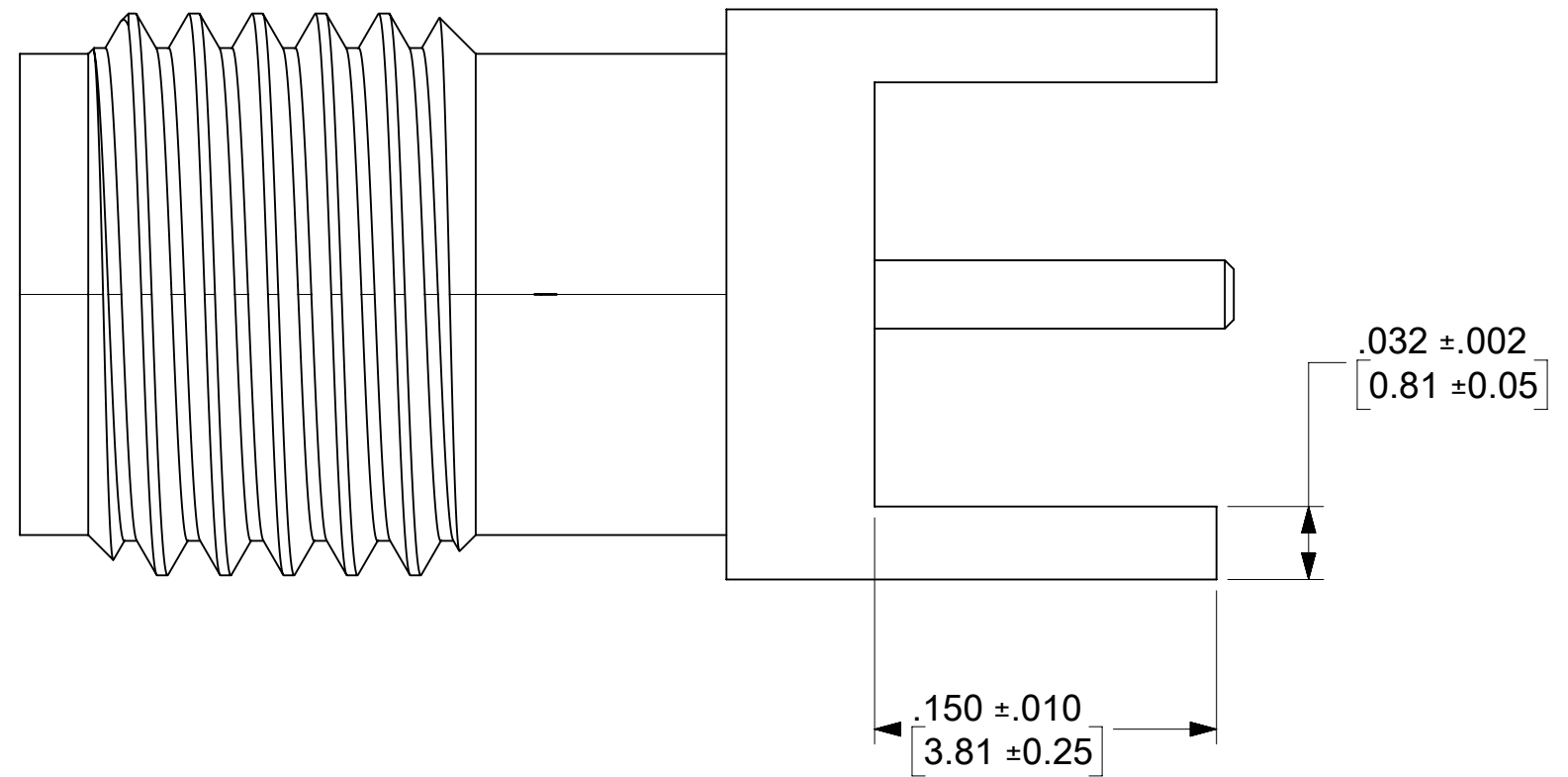
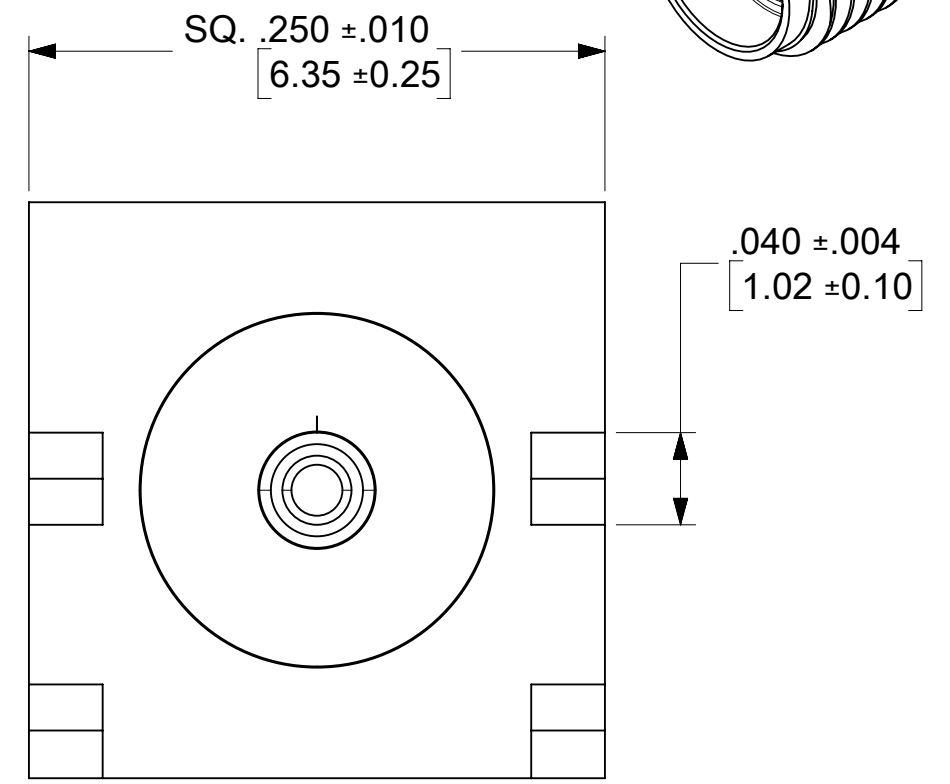
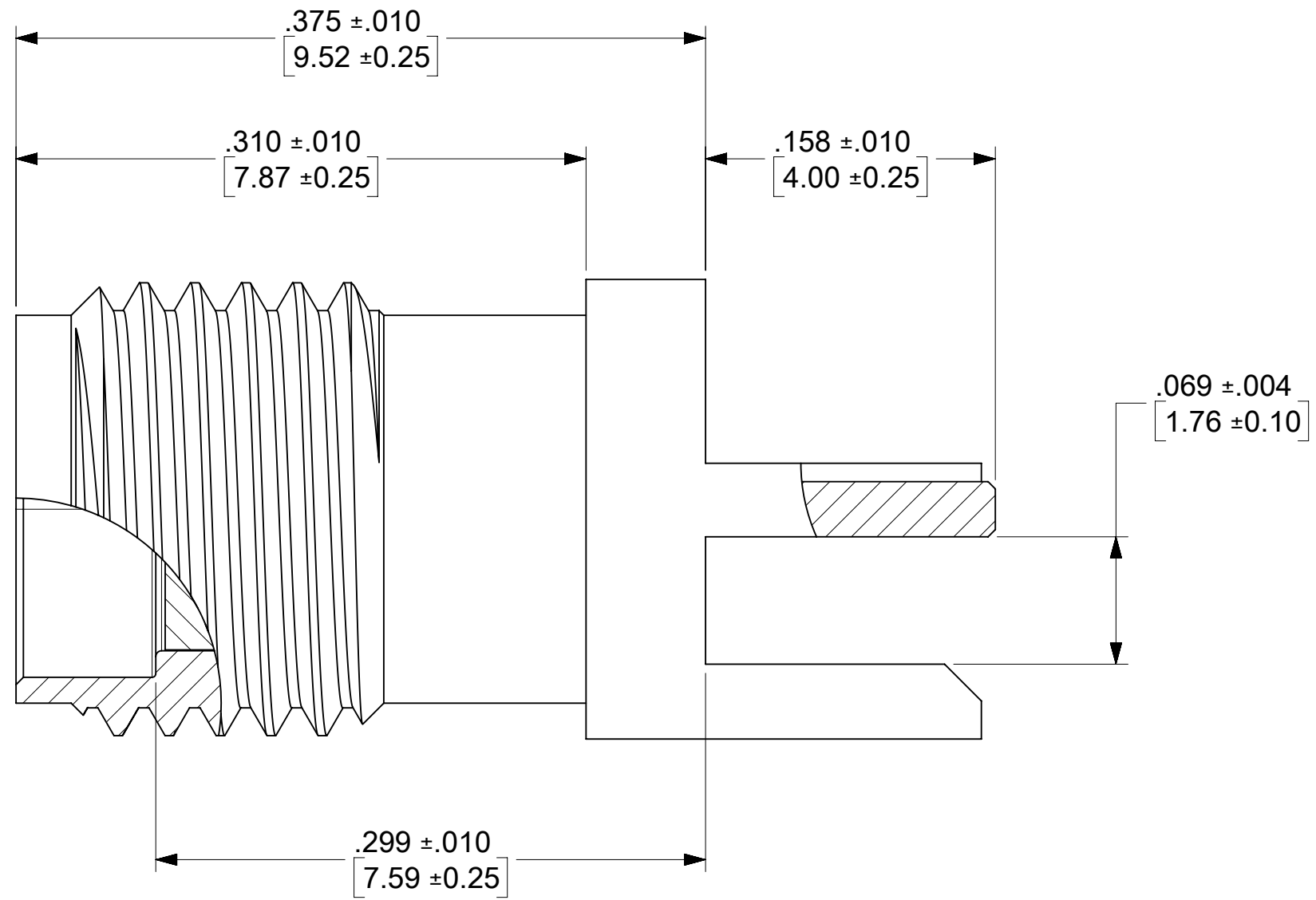
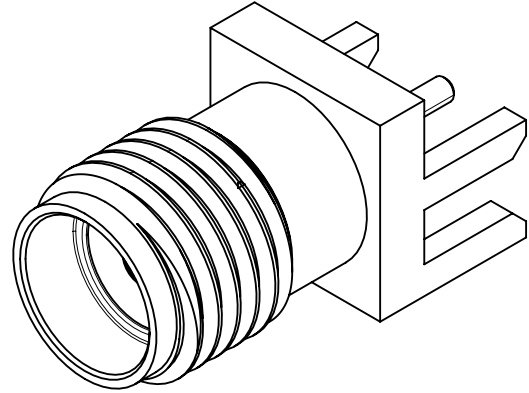
MATERIALS AND FINISHES

BODY: BRASS
PLATED SEE TABLE

CENTER CONTACT: BERYLLIUM COPPER
PLATED GOLD

INSULATOR: TEFLON

PACKAGE BY TRAY
(PACKAGE SPECIFICATION 89542-0040)



RECOMMENDED PCB LAYOUT

PS-89675-3460	PRODUCT SPECIFICATION
MIL-STD-348A, FIG. 310-2	INTERFACE SMA JACK
SPECIFICATION	DESCRIPTION

73251-5461	NICKEL
73251-5460	GOLD
PART NO.	BODY

FUNCTIONAL SYMBOLS	THIS DRAWING CONTAINS INFORMATION THAT IS PROPRIETARY TO MOLEX ELECTRONIC TECHNOLOGIES, LLC AND SHOULD NOT BE USED WITHOUT WRITTEN PERMISSION									
	DIMENSION UNITS	SCALE	CURRENT REV DESC: NEW PRODUCT PER EWR # 15054-A/PDR1007605							molex
$\frac{F}{A} = 0$	INCH/MM	NTS	GENERAL TOLERANCES (UNLESS SPECIFIED)							
$\frac{F}{C} = 0$	ANGULAR TOL ± °		EC NO: 698213							
$\frac{F}{P} = 0$	4 PLACES ±		DRWN: ELIN 2022/03/04							
DIVISIONAL SYMBOLS	3 PLACES ±		CHK'D: YCHENG 2022/03/09							
	2 PLACES ±		APPR: YCHENG 2022/03/09							
	1 PLACE ±		INITIAL REVISION:							
	0 PLACES ±		DRWN: ELIN 2022/03/04 APPR: YCHENG 2022/03/09							
DRAFT WHERE APPLICABLE MUST REMAIN WITHIN DIMENSIONS			THIRD ANGLE PROJECTION	DRAWING	SERIES	MATERIAL NUMBER	CUSTOMER	SHEET NUMBER		
				C-SIZE	73251	SEE TABLE	GENERAL MARKET	1 OF 1		

DOCUMENT STATUS	P1	RELEASE DATE	2022/03/09	08:08:44
-----------------	----	--------------	------------	----------