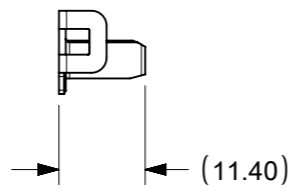
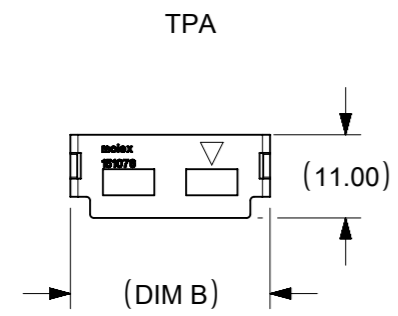
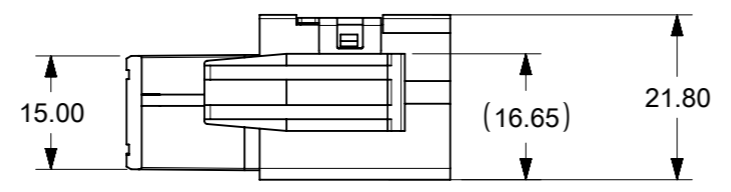
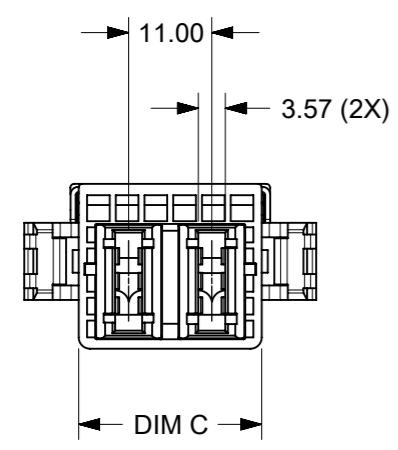
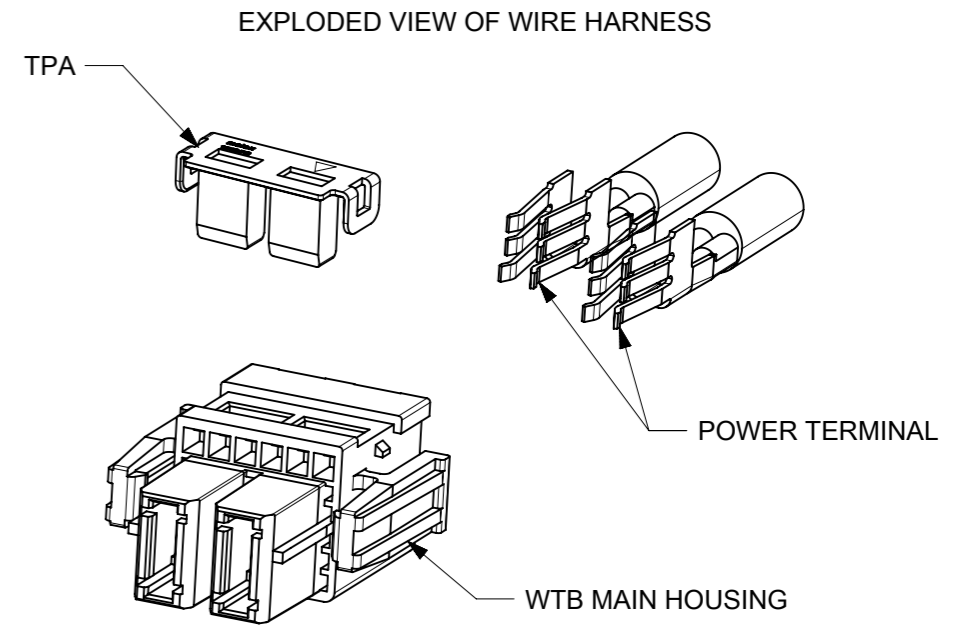
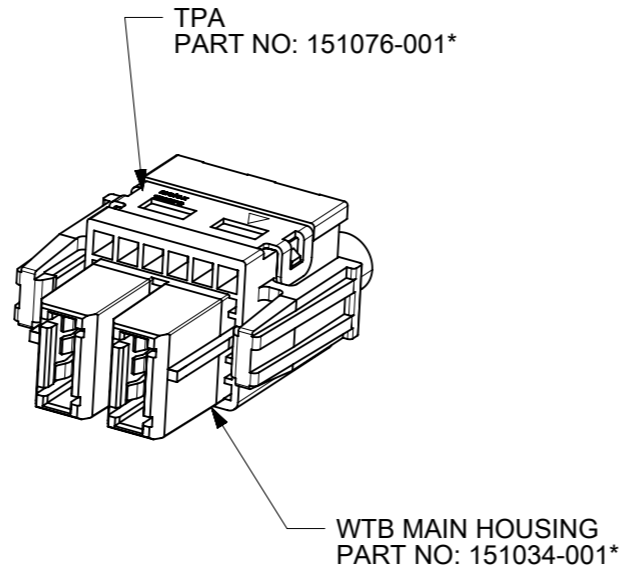
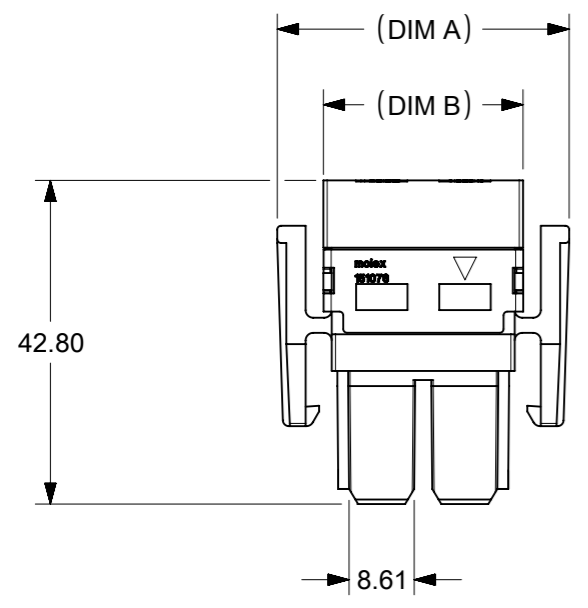


CKT SIZE	WTB MAIN HOUSING	TPA	DIM A	DIM B	DIM C
2	151034-0012	151076-0012	38.60	26.40	24.20
3	151034-0013	151076-0013	49.60	37.40	35.20
4	151034-0014	151076-0014	60.60	48.40	46.20
5	151034-0015	151076-0015	71.60	59.40	57.20
6	151034-0016	151076-0016	82.60	70.40	68.20



- NOTES:
- MATERIAL:  
MAIN HOUSING AND TPA: PBT  
CRIMP TERMINAL: COPPER ALLOY
  - FINISHES: TIN OVER NICKEL WITH SELECTIVE GOLD
  - PRODUCT SPEC: PS-151053-0000
  - PACKAGING:  
WTB MAIN HOUSING: PK-151034-0001 IN TRAY  
TPA: PK-151076-0001 IN BAG
  - TO BE USED WITH CRIMP PART NUMBER 46819-0012 (8 AWG), 46819-0013 (6 AWG)
  - PARTS ARE RoHS COMPLIANT.
  - TPA MUST BE USED WITH HOUSING
  - DO NOT INSERT TPA INTO HOUSING UNTIL THE CRIMP WITH WIRES HAD BEEN INSERTED.
  - FOR WIRE SIZE: 8 AWG, 6 AWG
  - TPA, HOUSING AND CRIMP TERMINAL ARE SOLD SEPERATELY.

SYMBOLS	DIMENSION UNITS	SCALE	CURRENT REV DESC:			molex			
▽ = 0	mm	NTS	GENERAL TOLERANCES (UNLESS SPECIFIED)			GUARDIAN			
▽ = 0			ANGULAR TOL ± 1.0°			CRIMP RECEPTACLE HOUSING 2 - 6 CKTS			
▽ = 0			4 PLACES ±	EC NO: 607023	2018/04/12	PRODUCT CUSTOMER DRAWING			
▽ = 0			3 PLACES ±	DRWN: CGOH	2018/11/02	DOCUMENT NUMBER			
▽ = 0			2 PLACES ± 0.25	CHK'D: EANG	2018/11/15	DOC TYPE			
▽ = 0			1 PLACE ±	APPR: KHLIM		DOC PART			
▽ = 0			0 PLACES ±	INITIAL REVISION:		REVISION			
▽ = 0				DRWN: CGOH	2014/04/23	SD-151034-0001			
▽ = 0				APPR: CGOH	2014/08/01	PSD 001 B			
▽ = 0			DRAFT WHERE APPLICABLE MUST REMAIN WITHIN DIMENSIONS	THIRD ANGLE PROJECTION	DRAWING	SERIES	MATERIAL NUMBER	CUSTOMER	SHEET NUMBER
					A3-SIZE	151034	SEE TABLE	GENERAL MARKET	1 OF 1