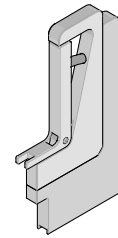




**DDR3 DIMM  
Actuator  
Extraction Tool**

**Application Tooling  
Specification Sheet**



**Order No. 62100-9150**

**FEATURES**

- Tool provides for positive alignment to card actuator.
- Adjustable for 65mm, 72mm, and 114mm actuators.
- Low handle force to extract actuator.
- Actuator can be extracted without removing neighboring memory card(s).
- For light pipe extraction, use tool 62100-9250.

**SCOPE**

Products: DDR3 DIMM Socket 78689 Series Assembly (276 Circuit, Vertical SMT, T1.9mm).  
See Product List below for specific part numbers.

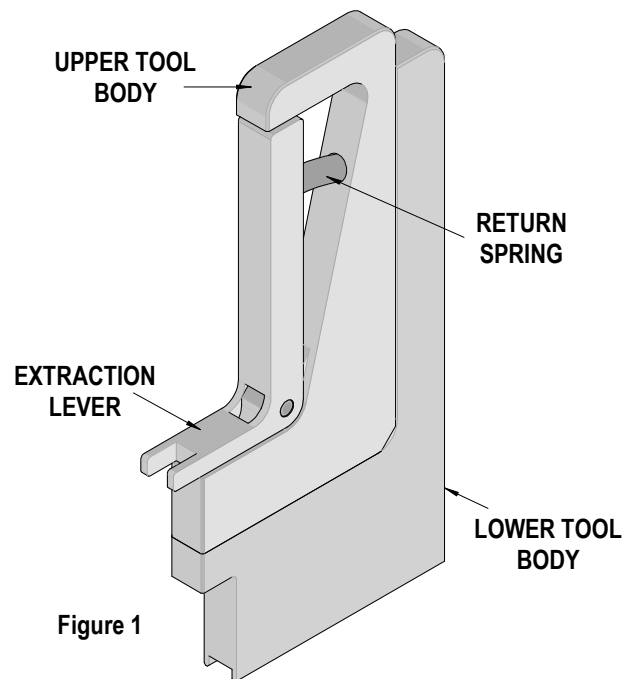
**Product List**

The following is a partial list of the product order numbers and their specifications this tool is designed to run. Updates to this list are available on [www.molex.com](http://www.molex.com).

Series No.	Assembly Order Number			
78689	78689-0001 (socket)	78689-8001 (actuator)	78689-8002 (actuator)	78689-8003 (actuator)

**Tool Setup**

The principal parts of the Actuator Extraction Tool are shown in Figure 1.



### Adjustments

Prior to use, the extraction tool must be adjusted for the height of the actuator.

The tool is adjusted by removing the two M4 screws from the Lower Tool Body. The Upper Tool Body is then moved to the appropriate height, as indicated by the number showing at the top of the Lower Tool Body. See Figure 2.

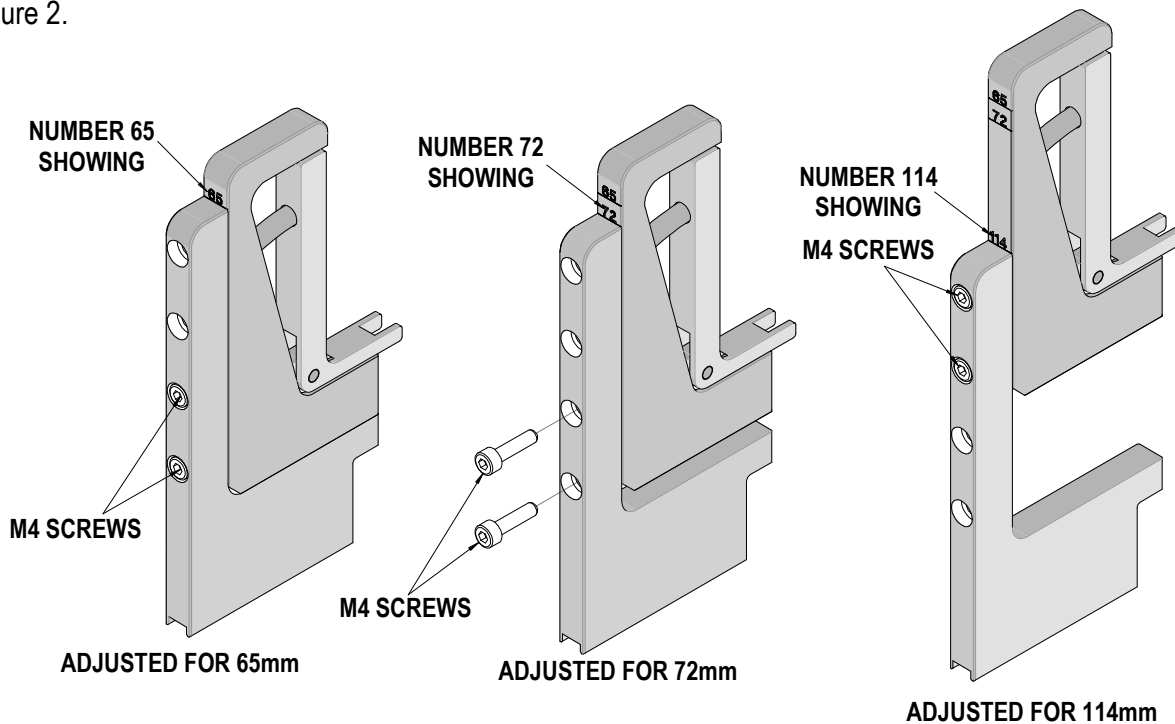


Figure 2

### Tool Operation

1. Remove the Memory Card from the socket by pushing in the actuators.
2. Align the groove in the bottom of the tool body with the memory socket and place the tool on the socket, in the middle of the socket's length. See Figure 3.

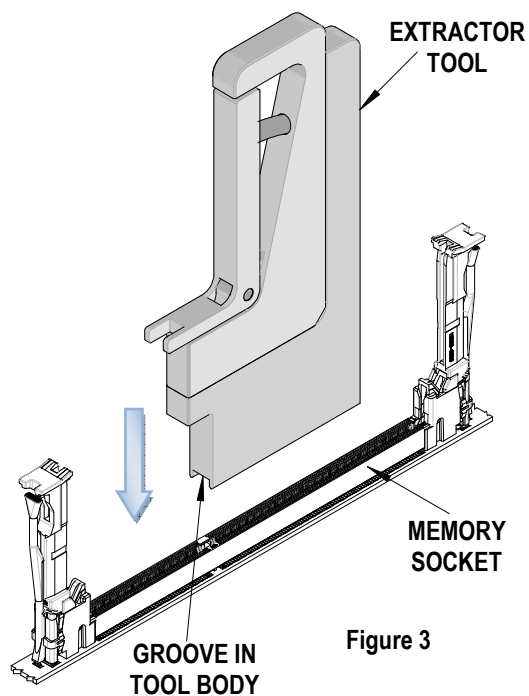


Figure 3

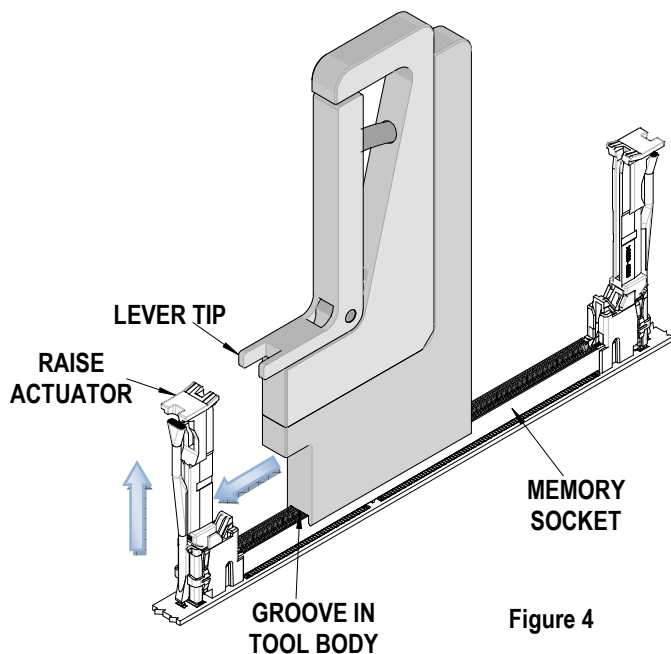


Figure 4

3. Slide the tool towards the actuator. If the actuator is down, it will be necessary to lift the actuator slightly so the extraction lever tip will fit under it. See Figure 4.
4. As the tool approaches the actuator, make sure the tip goes under the lip of the actuator. When the tool body has reached the end of the memory socket the extraction lever tip will have enough engagement with the actuator to extract it. See Figure 5.
5. With the tool in position as shown in Figure 5, squeeze the extraction lever to remove the actuator from the memory socket.
6. The actuator can be re-inserted into the memory socket by hand; however it should be inspected for any damage first.

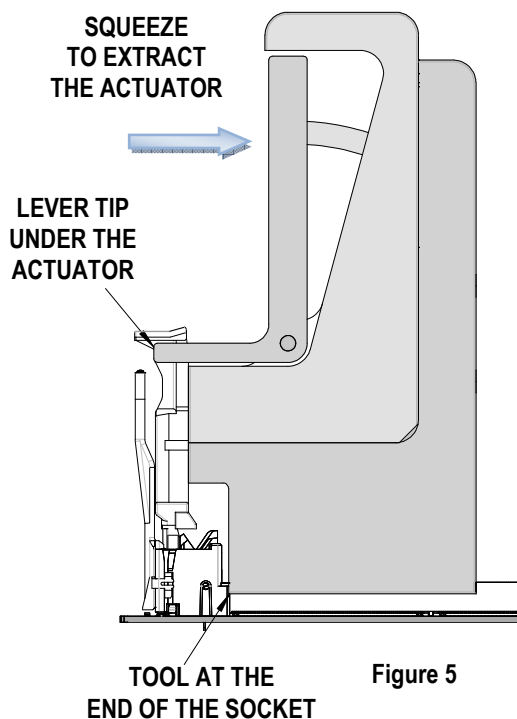


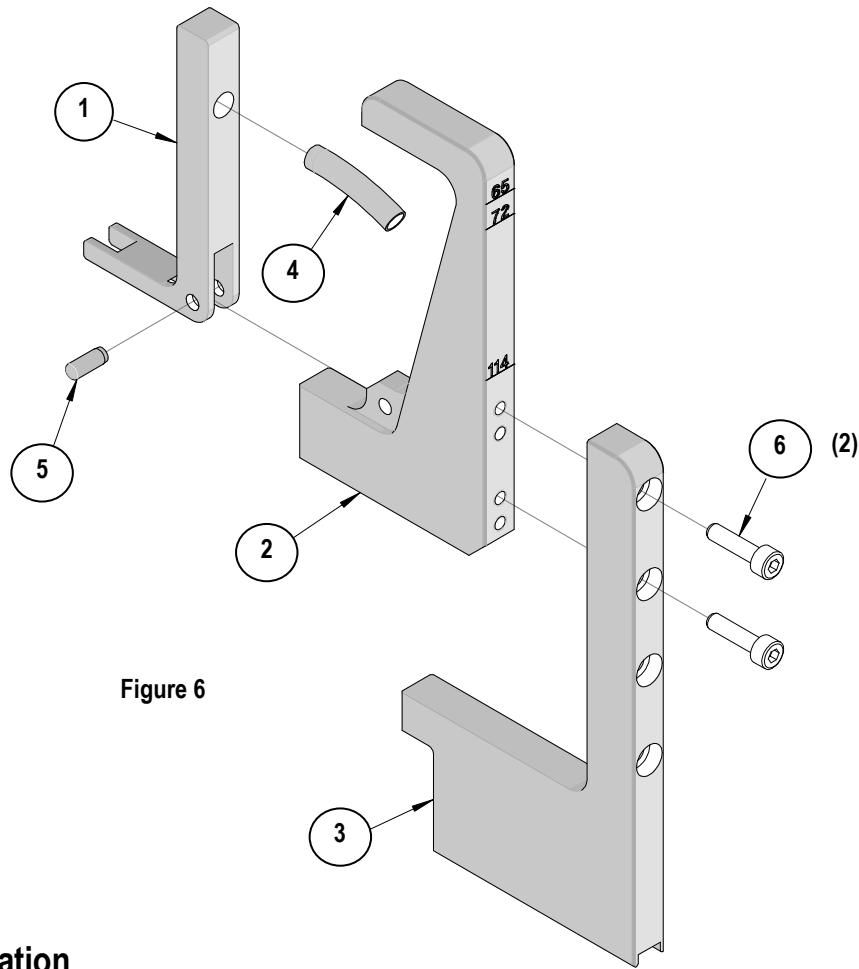
Figure 5

**CAUTION:** Molex application tooling specifications are valid only when used with Molex connectors and tooling.

**Parts List**

Actuator Extraction Tool 62100-9150			
Item	Order No.	Description	Quantity
1	62100-9102	Extraction Lever	1
2	62100-9151	Upper Tool Body	1
3	62100-9152	Lower Tool Body	1
4	63600-2026	Return Spring	1
5	N/A	4mm diameter x 10mm long dowel pin	1**
6	N/A	M4 x 16mm long SHCS	2**

\*\* Available from an industrial supply company such as MSC (1-800-645-7270).



**Contact Information**

For more information on Molex application tooling please contact Molex at 1-800-786-6539.

Visit our Web site at <http://www.molex.com>