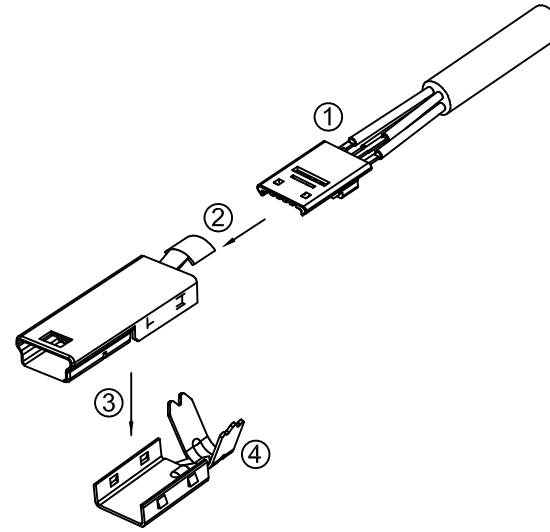
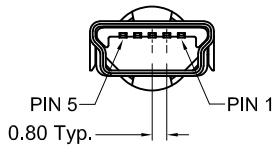
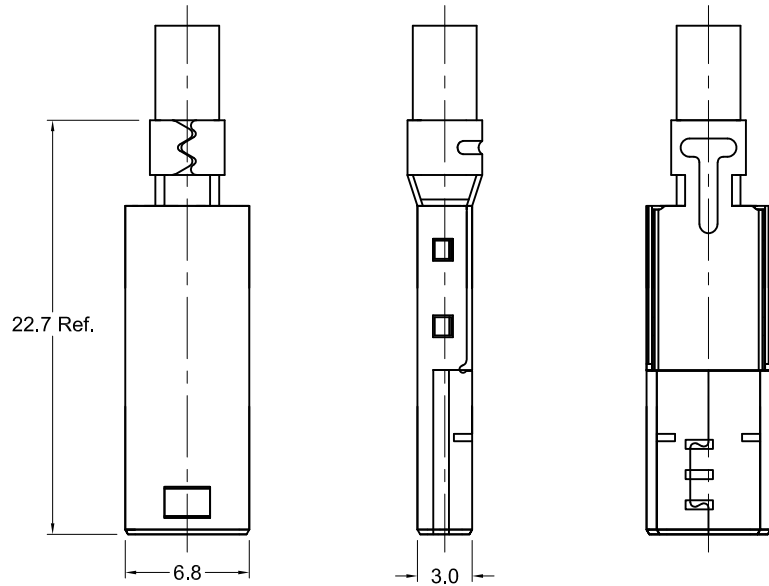


ASSEMBLED PLUG



ASSEMBLY PROCESS

- ① SOLDER CABLE WIRES TO CONTACT INSERT
- ② INSERT CONTACT INSERT INTO SHELL UNTIL SEATED
- ③ INSTALL SHELL COVER
- ④ CRIMP STRAIN RELIEF TO CABLE WITH PLIERS

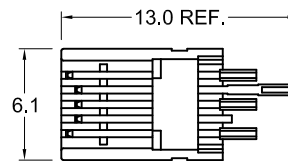
Materials and Finish

Shell:  
Steel or Brass  
0.30mm thickness  
Nickel Plated

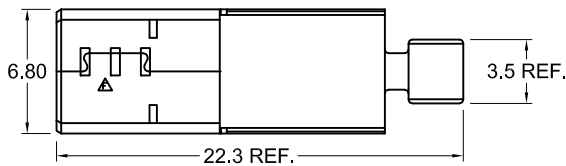
Insulator:  
PBT Thermoplastic  
UL 94V-0 Rated  
Black Color

Contacts:  
Phosphor Bronze, 30u" Gold plated

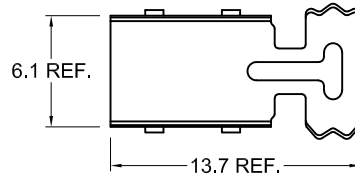
CONTACT INSERT



SHELL



SHELL COVER



Tolerances
X.X ± 0.25
X.XX ± 0.15
Unless Stated
Otherwise



REV.	DATE	DESCRIPTION	REV. BY	CHK. BY	DRAWN BY	DATE
A1	6/27/05	New Drawing	N.Chang	C. Furumasu		
A2	03/14/08	ECO #08-021	R. Aguirre	H. MA	N.Chang	6/27/05
A3	09/14/09	ECO #09-070	S. Vien	H. MA		
A4	05/07/13	ECO #13-019	W. Cook	P. DalCanto		
A5	08/08/18	Update Address & RoHS	C. Kelleher	C. Furumasu		

KMBX-BP-KIT-ST30

Mini-USB B-type Plug Kit, RoHS Compliant  
comes unassembled with 3 pieces

