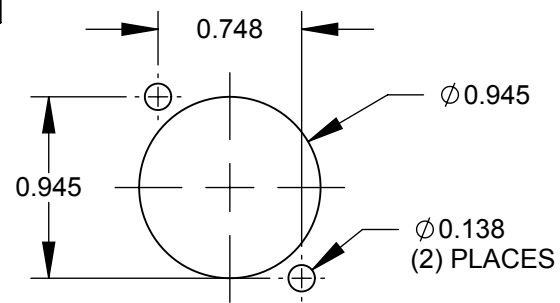
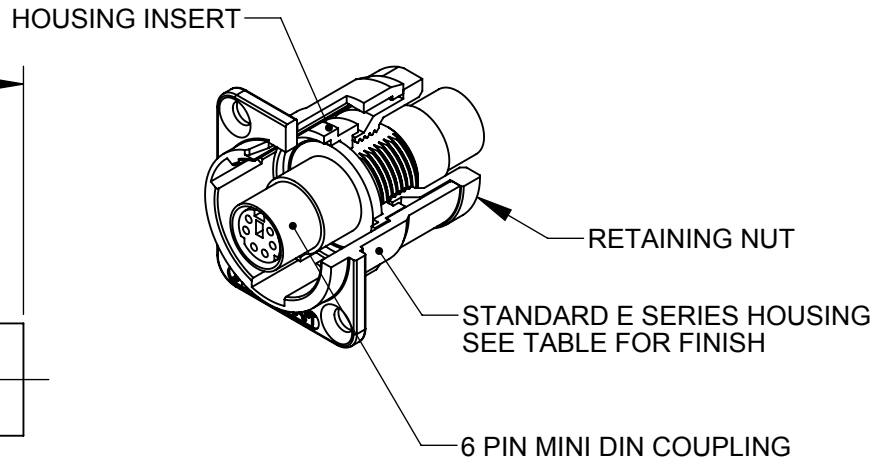
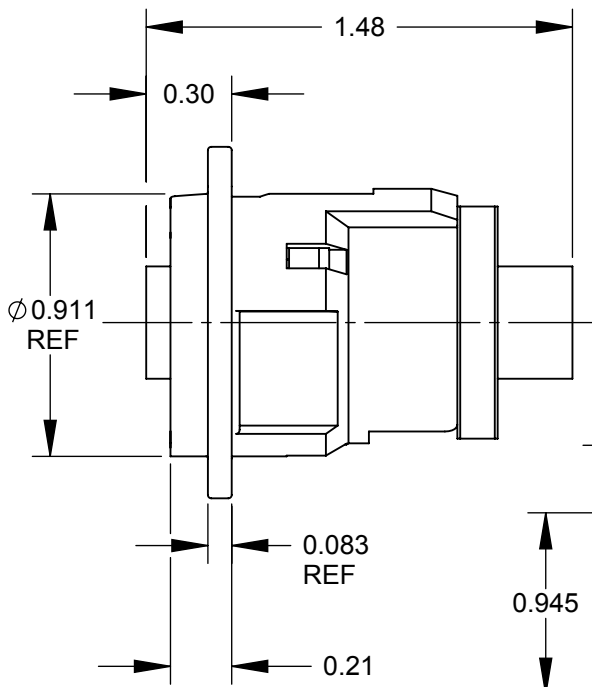


✓  $\varnothing 0.138$  THRU  
 $\varnothing 0.230 \times 82^\circ$   
 (2) PLACES REF



RECOMMENDED  
 PANEL CUT-OUT

PART NUMBER	HOUSING FINISH
EH6MD2X	NICKEL
EH6MD2BX	BLACK CHROME

NOTES:

- MATERIALS:  
 HOUSING - ZINC ALLOY  
 HOUSING INSERT - THERMOPLASTIC, BLACK  
 RETAINING NUT - THERMOPLASTIC, BLACK  
 MINI DIN COUPLING - COPPER ALLOY, NICKEL PLATED
- THIS PRODUCT IS RoHS COMPLIANT.

**CUSTOMER DRAWING**

REV	ECO NUMBER	DATE	BY	APVD
B	26415	7/17/09	RS	TJK
A	26020	9/28/06	RF	TJK

REVISIONS

UNLESS OTHERWISE SPECIFIED

1. ALL DIMENSIONS IN INCHES  
 - TWO PLACE DECIMALS  $\pm 0.02$   
 - THREE PLACE DECIMALS  $\pm 0.005$

DO NOT SCALE DRAWING

THIS DRAWING DESCRIBES A DESIGN CONSIDERED PROPRIETARY IN NATURE, DEVELOPED AND MANUFACTURED BY SWITCHCRAFT INC. AND IS RELEASED ON A CONFIDENTIAL BASIS FOR IDENTIFICATION PURPOSES ONLY.									
SIZE		WIDTH		MULT		LBS/M		TEMPER	
FINISH SPEC No.						MATERIAL SPEC No.			
FIRST USED ON				SCALE 1.5:1					
DATE DRAWN	BY	CHKD	APVD						
9/28/06	RF	RF	TJK						
		9/28/06	9/28/06						
NAME E SERIES CONNECTOR, 6 PIN MINI DIN FEEDTHROUGH, RoHS						PART No. EH6MD2_X SERIES		REV B	