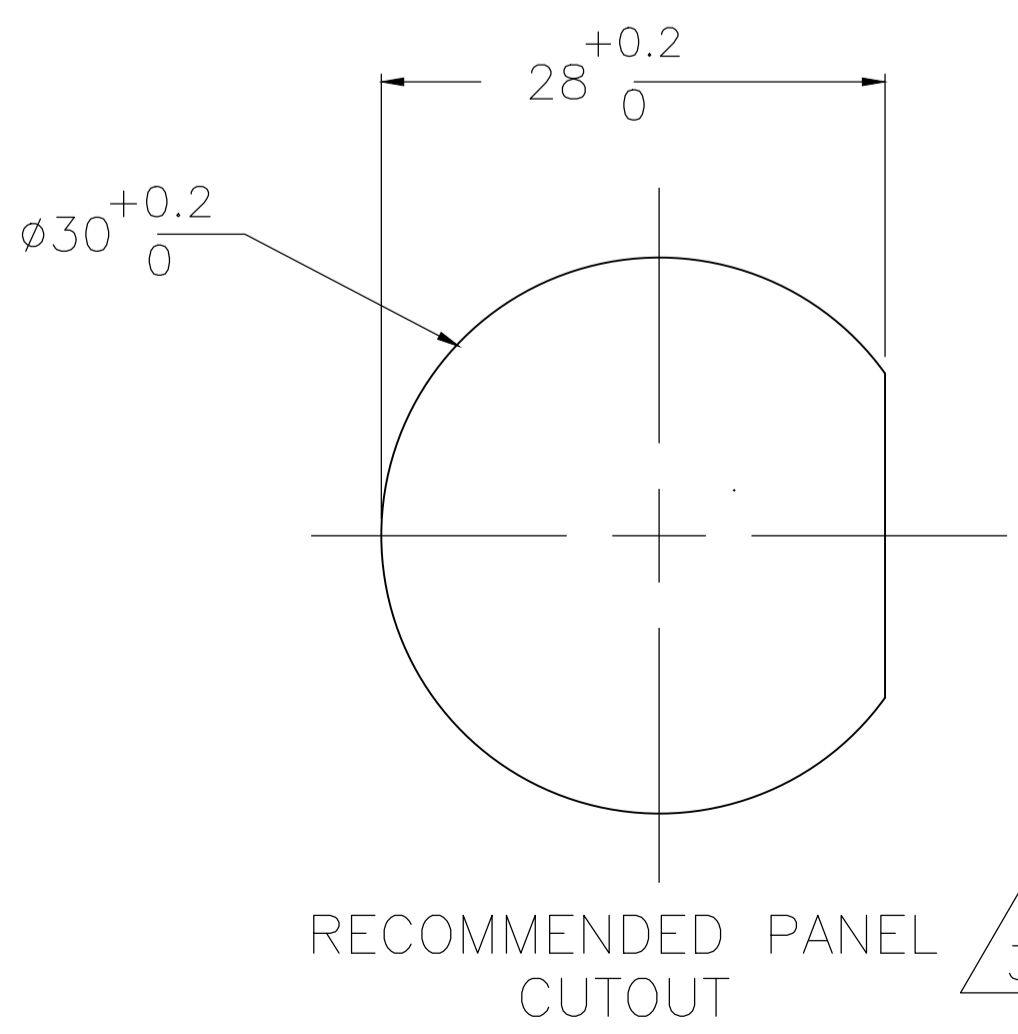
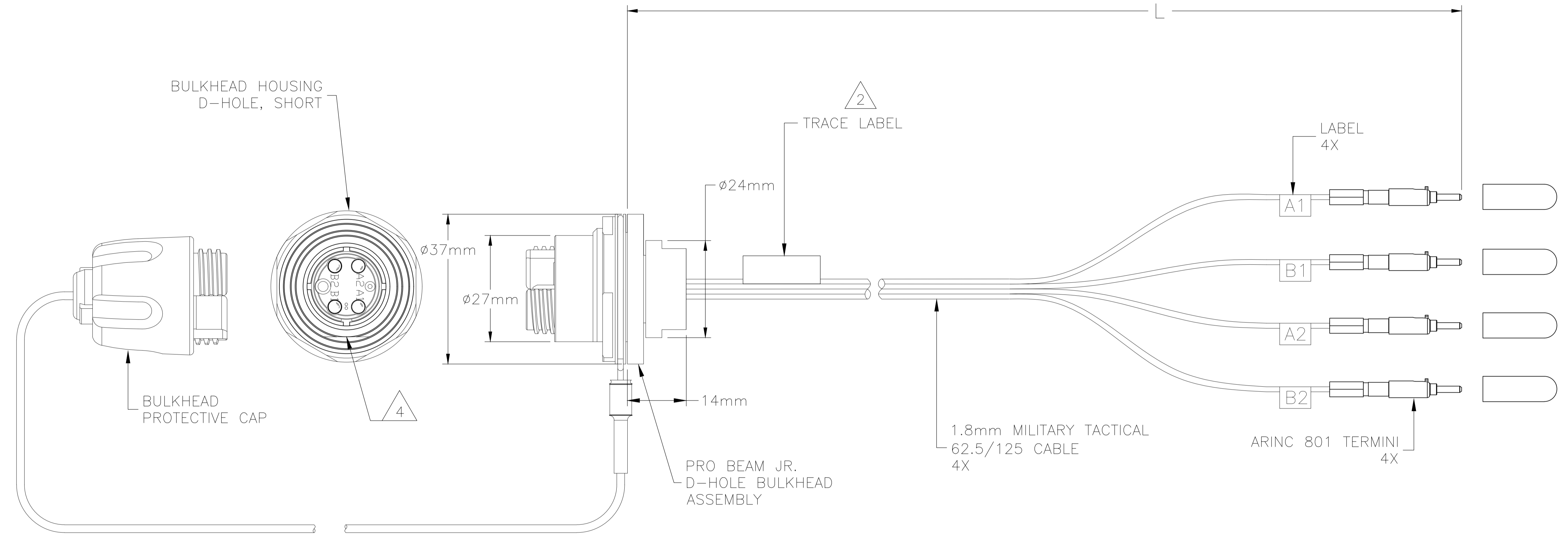


REVISIONS					
P	LTR	DESCRIPTION	DATE	DMN	APVD
6		ECR-18-000233	10JAN18	KG	DW

1. MAXIMUM CONNECTOR INSERTION LOSS:  
1.5 dB PRO BEAM JR. END (850nm)  
0.4 dB LuxCis END (850nm)

△ 5 PANEL SHOULD BE BETWEEN 1mm AND 4mm THICKNESS.

- △ 2 SEE TRACE LABEL DETAIL.
- △ 3 RECEPTACLE IS DESIGNED FOR REAR MOUNT.
- △ 4 FLAT ON BULKHEAD HOUSING WILL BE LOCATED ON A1,B1 SIDE OF INSERT.



XXXXXXXXXXXXXXXXXX  
6918413-X

- } CUSTOMER P/N
- } TE TRACE NO.
- } TE P/N

TRACE LABEL DETAIL △ 2

PRO BEAM JR. POSITION	ARINC 801 LABEL
A1	A1
B1	B1
A2	A2
B2	B2

FIBER PATH CHART

DESIGN APPROVED THIS PRINT IS  
**PRELIMINARY**  
TO FIRST PIECE APPROVAL  
CONTACT PRODUCT ENGINEERING  
BEFORE USING THIS PRINT

6.00±.25	6918413-1
L	PART NUMBER

THIS DRAWING IS A CONTROLLED DOCUMENT.		DIN K. GLATFELTER 11APR2006		TE Connectivity	
DIMENSIONS: FEET		TOLERANCES UNLESS OTHERWISE SPECIFIED:		APVD J. SHIPP 01MAY2006	
0. PLC	± -	PRODUCT SPEC		NAME	
1. PLC	± -	APPLICATION SPEC		CABLE ASSEMBLY, FO, 4 FIB, 62.5/125	
2. PLC	± -	MATERIAL		PRO BEAM JR. D-HOLE BLKHD TO (4) ARINC 801	
3. PLC	± -	FINISH		SIZE	
4. PLC	± -	WEIGHT		SCALE	
ANGLES	± -	CUSTOMER DRAWING		SHEET 1 OF 1	
		A1 00779 C=6918413		REV 6	