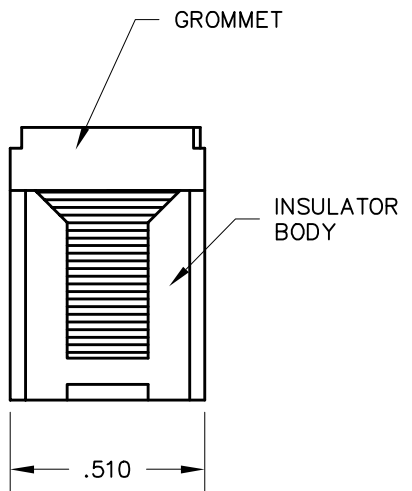
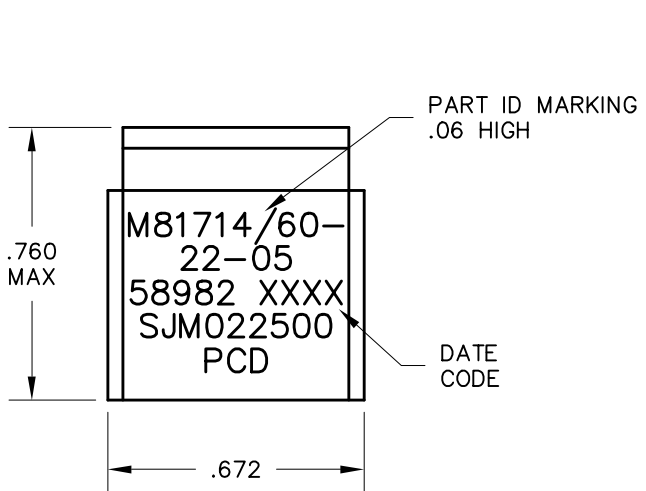
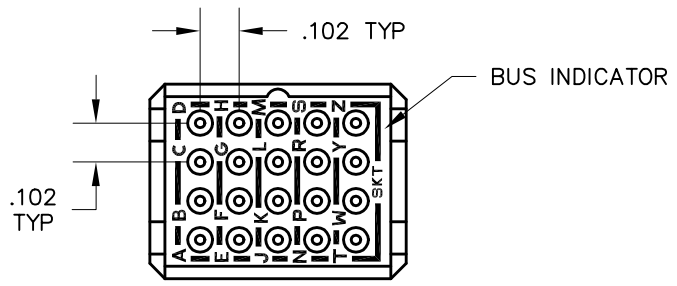


REV	ECN	APP'D
H	3963	JC 4/25/00
J	4127	



- NOTES:
- MATERIALS:
 BODY: POLYETHERIMIDE PER MIL-P-46184.
 GROMMET: SILICONE BLEND ELASTOMER.
 CONTACT RETAINERS: BERYLLIUM COPPER.
 INTERNAL PIN CONTACTS: COPPER ALLOY,
 HARD GOLD PLATE
 PER MIL-G-45204.
 - PERFORMANCE SPECIFICATIONS:
 OPERATING TEMP: -65° TO 200°C
 INSULATION RESISTANCE: 5000 MEGOHMS MIN @ 25°C
 DIELECTRIC WITHSTANDING VOLTAGE:
 1500 VRMS AT SEA LEVEL
 AND 200 VRMS AT 110,000 FT. ALTITUDE.
 CURRENT RATING: 5 AMPS
 VIBRATION AND SHOCK: PER MIL-T-81714,
 PARAGRAPH 3.5.5 AND 3.5.8.
 - MODULE SUPPLIED WITH 21 SOCKET CONTACTS PER
 M39029/22-191 AND TWO (2) MS27488-22 SEALING
 PLUGS.

DIMENSIONS ANSI Y14.5M UNITS: INCHES ACAD FILE	TOLERANCES .XX ± .XXX ±.010 ANGLES ±2°	PROJECTION 	SPECIFICATION DRAWING			TITLE SOCKET JUNCTION MODULE SIZE 22 - 5-BUS M81714/60-22-05		
			ENGR A. PATRIE 4/19/00			SIZE A	DWG NO. SJM022500	REV J
ORIGINAL	THIS DOCUMENT CONTAINS PROPRIETARY INFORMATION WHICH IS THE CONFIDENTIAL PROPERTY OF PCD, INC. PEABODY, MA, USA		CHKD J. TON 4/24/00		CODE: 58982		SCALE: 2:1	SHEET 1 OF 1
			APPD J. CAHALY 4/25/00					