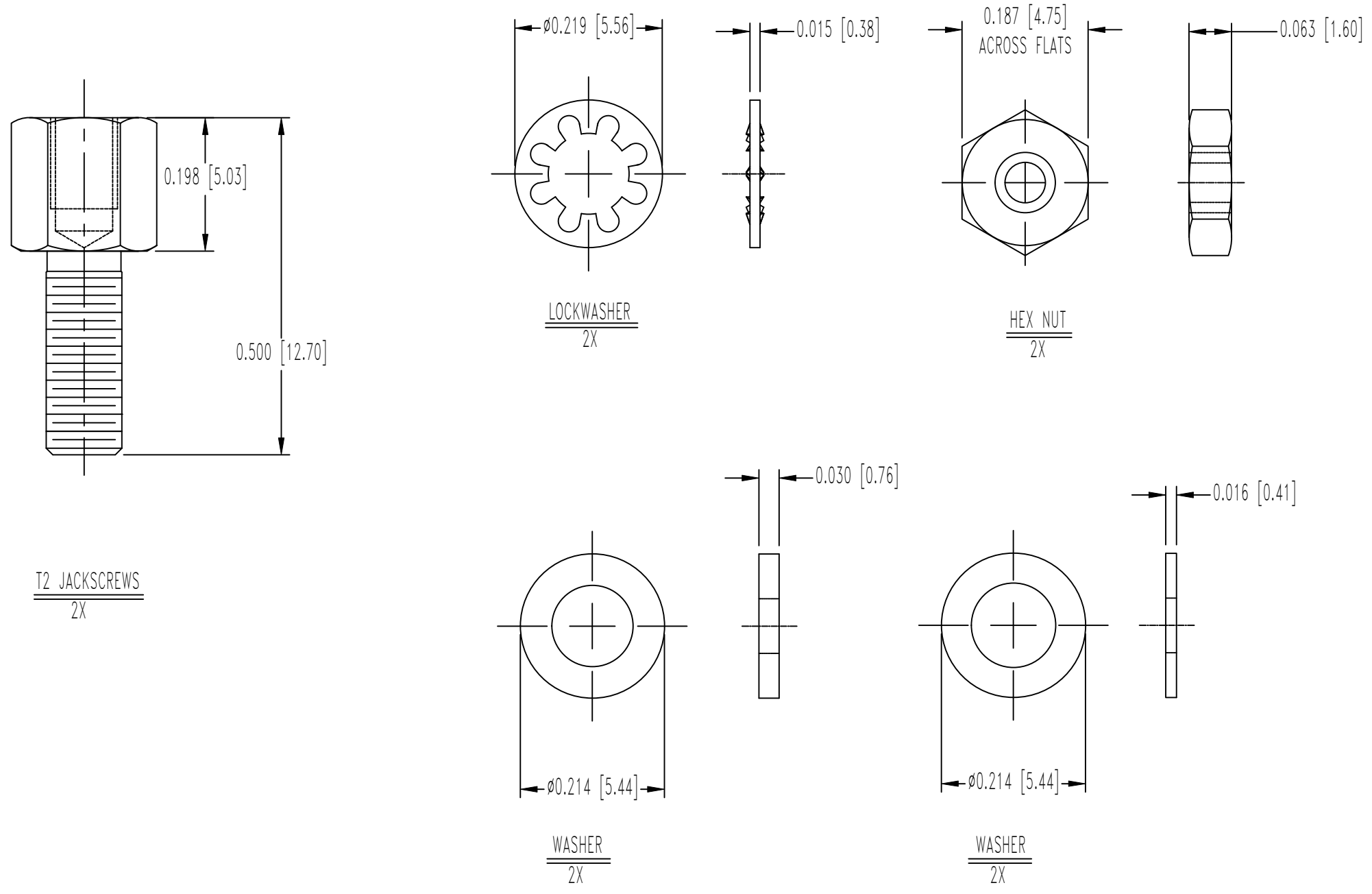


SK2299

THIS DRAWING CONTAINS INFORMATION PROPRIETARY TO POSITRONIC AND ITS SUBSIDIARIES. POSITRONIC BELIEVES THE DATA ON THIS DRAWING TO BE RELIABLE, SINCE THE TECHNICAL INFORMATION IS GIVEN FREE OF CHARGE, THE USER EMPLOYS SUCH INFORMATION AT HIS OWN DISCRETION AND RISK. POSITRONIC ASSUMES NO RESPONSIBILITY FOR RESULTS OBTAINED OR DAMAGES INCURRED FROM USE OF SUCH INFORMATION IN WHOLE OR IN PART.

DATE	REV	REVISION RECORD	APP	DR	CK
8-1 00	A	ECO 16602	RCW	ME	TK
8-12 09	B	ECO 31414	RCW	BS	TK
03-07 18	C	ECO 58682	RK	SM	ND



NOTES:

- MATERIALS AND FINISHES:  
 JACKSCREWS: STEEL, ZINC PLATE WITH CHROMATE SEAL.  
 HEX NUTS: BRASS, ZINC PLATE WITH CHROMATE SEAL.  
 LOCKWASHER: PHOSPHOR BRONZE, ZINC PLATE WITH CHROMATE SEAL.  
 WASHERS: STAINLESS STEEL, PASSIVATED.
- DETAILED PRODUCT, ELECTRICAL AND MECHANICAL INFORMATION IS AVAILABLE IN THE LATEST D-SUBMINIATURE ACCESSORIES PRODUCT PUBLICATION AT CONNECTPOSITRONIC.COM.
- DIMENSIONS ARE IN INCHES (MILLIMETERS).

	<b>POSITRONIC INDUSTRIES INC.</b> www.connectpositronic.com		FSCM 28198
	D SERIES	SCALE N.T.S.	DRAWN BY M.ENEAL APPROVED BY R.WILLIAMS
DECIMAL TOL. ± 0.015 (0,38)	TITLE D00000T20		
ANGULAR TOL. ± 5°	DATE 8-1-00	DRAWING NUMBER SK2299	REV. C