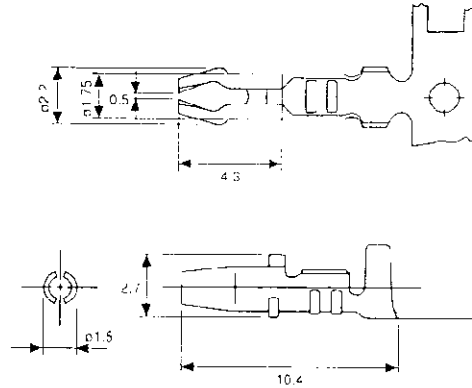


## Wire to Board Terminals (AMP-IN Terminal)

### Material and Finish

Tin-plated  
Brass or phosphor bronze

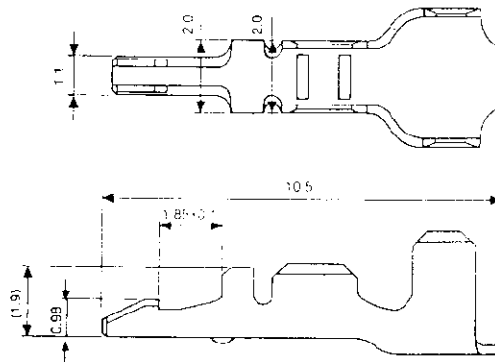


**Part Number:** 170072-1  
**Application Spec:** 114-5028  
**Product Specifications:** 108-5012  
**Recommended PCB Hole Size:**  
 $\phi 1.8$ - $\phi 1.9$ mm

| Wire Size |                 | Wire Insulation |
|-----------|-----------------|-----------------|
| AWG       | mm <sup>2</sup> | Diameter        |
| 24-20     | 0.20-0.56       | 1.52-2.79       |

### Material and Finish

Tin-plated brass



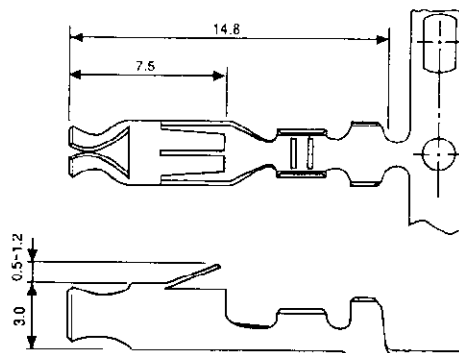
**Part Number:** 170197-1 (with dimple) and 170197-2 (without dimple)  
**Application Spec:** 114-5014  
**Product Specifications:** 108-5012  
**Recommended PCB Hole Size:**  
 $\phi 1.2$ - $\phi 1.6$ mm

| Wire Size |                 | Wire Insulation |
|-----------|-----------------|-----------------|
| AWG       | mm <sup>2</sup> | Diameter        |
| 24-20     | 0.20-0.56       | 1.6-2.3         |

### AMP VASE Terminal

### Material and Finish

Tin-plated brass



**Part Number:** 170219-1 and 170219-2 (Low mating force)  
**Application Spec:** 114-5016  
**Product Specifications:** 108-5012  
**Mates with 1.57 diameter pin**

| Wire Size |                 | Wire Insulation |
|-----------|-----------------|-----------------|
| AWG       | mm <sup>2</sup> | Diameter        |
| 24-20     | 0.20-0.53       | 1.2-2.6         |