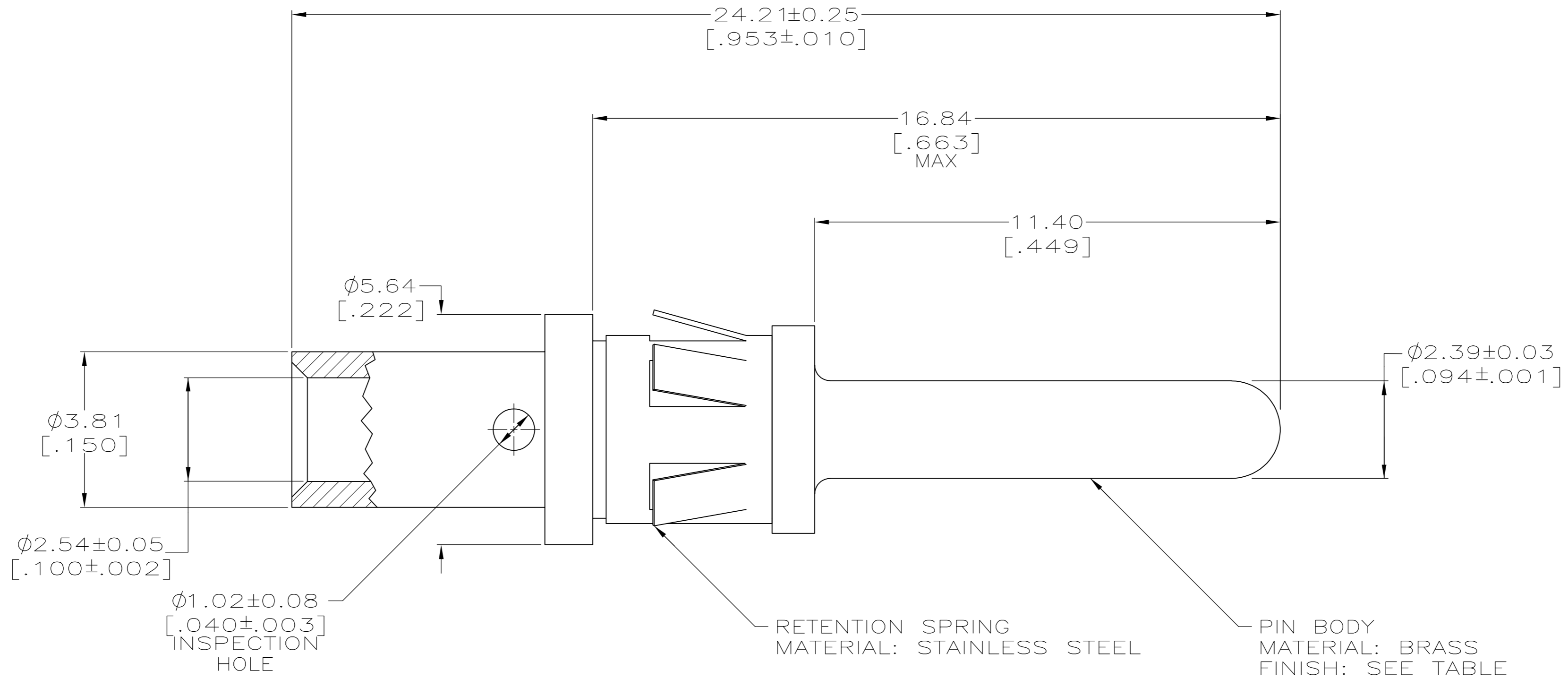


THIS DRAWING IS UNPUBLISHED. RELEASED FOR PUBLICATION
 © COPYRIGHT - By - ALL RIGHTS RESERVED.

LOC		DIST		REVISIONS			
P	LTR	DESCRIPTION		DATE	DWN	APVD	
FT	8	H1		REVISED PER ECO-13-009250	27JUN13	KH	MZ



- 1 0.76 μm [0.000030] MIN GOLD OVER 1.27 μm [0.000050] MIN NICKEL.
- 2 3.81 μm [0.000150] MIN TIN.
- 3 ASSEMBLY MATES WITH SOCKET ASSEMBLY 202417.

OBSOLETE	2	202422-4
	1	202422-1
PIN BODY FINISH		PART NUMBER

THIS DRAWING IS A CONTROLLED DOCUMENT.		DWN	B.CARBO	05 JAN 98	 TE Connectivity					
DIMENSIONS:		CHK	R.STONE	09 JAN 98						
mm [INCHES]		APVD	G.STEINHAUER	30 JAN 98						
TOLERANCES UNLESS OTHERWISE SPECIFIED:		PRODUCT SPEC								
0 PLC ± - 1 PLC ± - 2 PLC ± 0.13 [.005] 3 PLC ± - 4 PLC ± - ANGLES ± -		APPLICATION SPEC			NAME	CONTACT ASSEMBLY, PIN, 14-12 WIRE SIZE, TYPE I				
MATERIAL		FINISH			SIZE	CAGE CODE	DRAWING NO	RESTRICTED TO		
SEE CALLOUTS		SEE CALLOUTS			WEIGHT	-	A2 00779 C-202422	-		
CUSTOMER DRAWING					SCALE	10:1	SHEET	1 OF 1	REV	H1