

Features

- Broad Bandwidth Specified 2 - 18 GHz
- Usable up to 26 GHz
- Integrated Bias Network
- Lower Insertion Loss / Higher Isolation
- Fully Monolithic, Glass Encapsulated Chip
- Up to 33 dBm CW Power Handling @ +25°C
- RoHS* Compliant

Applications

- Aerospace & Defense
- ISM

Description

The MASW-002102 (SP2T) and MASW-003102 (SP3T) are broadband switches with integrated bias networks utilizing MACOM's HMIC™ (Heterolithic Microwave Integrated Circuit) process, US Patent 5,268,310. This process allows the incorporation of silicon pedestals that form series and shunt diodes or vias by imbedding them in low loss, low dispersion glass. By using small spacing between circuit elements, this combination of silicon and glass gives HMIC devices low loss and high isolation performance with exceptional repeatability through low millimeter frequencies.

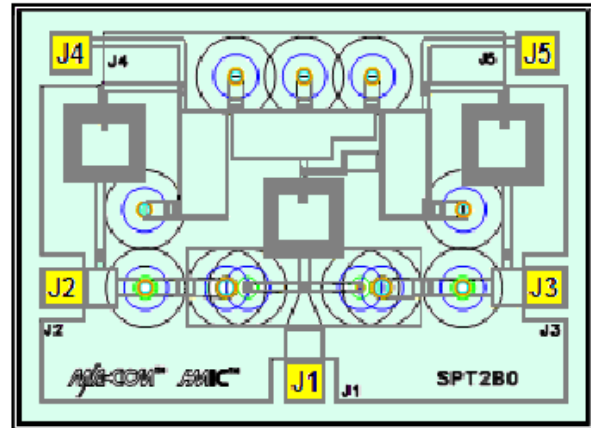
The top side of the chip is protected by a polymer coating for manual or automatic handling and large gold bond pads help facilitate connection of low inductance ribbons. The gold metallization on the backside of the chip allows for attachment via 80/20 (gold/tin) solder or conductive silver epoxy.

Ordering Information

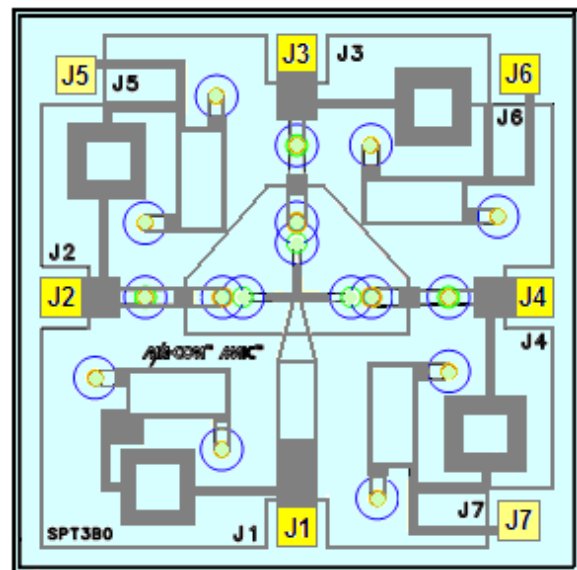
Part Number	Package xx = 0G	Package xx = 0W
MASW-002102-1358(xx)	Gel Pack	Waffle Pack
MASW-003102-1359(xx)	Gel Pack	Waffle Pack

Functional Diagrams¹

MASW-002102 (SP2T)



MASW-003102 (SP3T)



1. Yellow areas indicate ribbon/wire bonding pads

* Restrictions on Hazardous Substances, compliant to current RoHS EU directive.

Electrical Specifications: $T_A = 25^\circ\text{C}$, 20 mA

MASW-002102 (SPDT)

Parameter	Test Conditions	Units	Min.	Typ.	Max.
Insertion Loss	2 GHz	dB	—	1.5	1.8
	6 GHz			0.7	1.0
	12 GHz			0.9	1.2
	18 GHz			1.2	1.8
Isolation	2 GHz	dB	55	60	—
	6 GHz		47	50	
	12 GHz		40	45	
	18 GHz		36	40	
Input Return Loss	2 GHz	dB	—	14	—
	6 GHz			15	
	12 GHz			15	
	18 GHz			13	
Switching Speed ²	—	ns	—	50	—

MASW-003102 (SP3T)

Parameter	Test Conditions	Units	Min.	Typ.	Max.
Insertion Loss	2 GHz	dB	—	1.6	2.0
	6 GHz			0.8	1.1
	12 GHz			1.0	1.3
	18 GHz			1.3	1.9
Isolation	2 GHz	dB	54	59	—
	6 GHz		47	50	
	12 GHz		40	45	
	18 GHz		36	40	
Input Return Loss	2 GHz	dB	—	14	—
	6 GHz			15	
	12 GHz			16	
	18 GHz			14	
Switching Speed ²	—	ns	—	50	—

2. Typical switching speed is measured from (10% to 90% and 90% to 10% of detected RF voltage), driven by TTL compatible drivers. In the modulating state, (the switching port is modulating, all other ports are in steady state isolation). The switching speed is measured using an RC network using the following values: R = 50 - 200 Ω , C = 390 - 1000 pF. Driver spike current, $I_C = C dv/dt$, ratio of spike current to steady state current, is typically 10:1.

Absolute Maximum Ratings^{3,4,5}

Parameter	Absolute Maximum
RF CW Incident Power	+33 dBm
DC Reverse Voltage	50 V
Bias Current per Port @ +25°C @ +85°C	+30 / -20 mA ±15 mA
Operating Temperature	-65°C to +125°C
Storage Temperature	-65°C to +150°C
Junction Temperature	+175°C

- Exceeding any one or combination of these limits may cause permanent damage to this device.
- MACOM does not recommend sustained operation near these survivability limits.
- Maximum operating conditions for a combination of RF power, DC bias and temperature: +33 dBm CW @ 15 mA (per diode) @ +85°C.

Nominal Operating Conditions

Parameter	Value
RF CW Incident Power	31 dBm
DC Reverse Voltage	2 V
Bias Current per Port @ +25°C @ +85°C	+25 / -15 mA ±10 mA
Operating Temperature	-40°C to +85°C
Storage Temperature	-65°C to +150°C
Junction Temperature	+175°C

Handling Procedures

Please observe the following precautions to avoid damage:

Static Sensitivity

These electronic devices are sensitive to electrostatic discharge (ESD) and can be damaged by static electricity. Proper ESD control techniques should be used when handling these Class 0 (HBM) and Class C1 (CDM) devices.

Cleanliness

The chips should be handled in a clean environment free of dust and organic contamination.

Wire / Ribbon Bonding

Thermo compression wedge bonding using 0.003" x 0.00025" ribbon or 0.001" diameter gold wire is recommended. A work stage temperature of 150°C - 200°C, tool tip temperature of 120°C - 150°C and a downward force of 18 to 22 grams should be used. If ultrasonic energy is necessary, it should be adjusted to the minimum level required to achieve a good bond. Excessive power or force will fracture the silicon beneath the bond pad causing it to lift. RF bond wires and ribbons should be kept as short as possible for optimum RF performance.

Chip Mounting

HMIC switches have Ti-Pt-Au with 0.1 μm Au finish backside metallization and can be mounted using a gold-tin eutectic solder or conductive epoxy. Mounting surface must be free of contamination and flat.

Eutectic Die Attachment

An 80/20, gold-tin, eutectic solder is recommended. Adjust the work surface temperature to 255°C and the tool tip temperature to 265°C. After placing the chip onto the circuit board re-flow the solder by applying hot forming gas (95/5 Ni/H) to the top surface of the chip. Temperature should be approximately 290°C and not exceed 320°C for more than 20 seconds. Typically no more than three seconds is necessary for attachment. Solders rich in tin should be avoided.

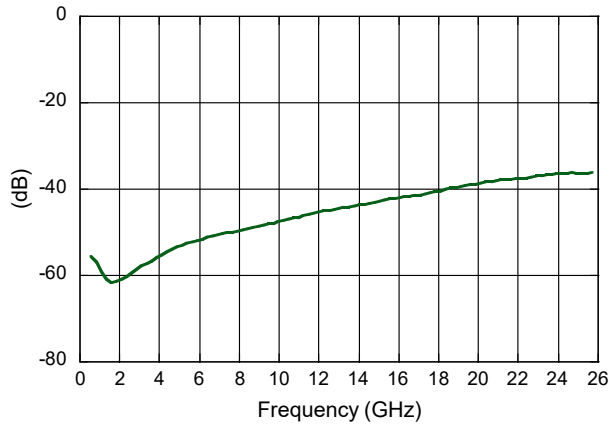
Epoxy Die Attachment

A minimum amount of epoxy, 1 - 2 mils thick, should be used to attach chip. A thin epoxy fillet should be visible around the outer perimeter of the chip after placement. Epoxy cure time is typically 1 hour at 150°C.

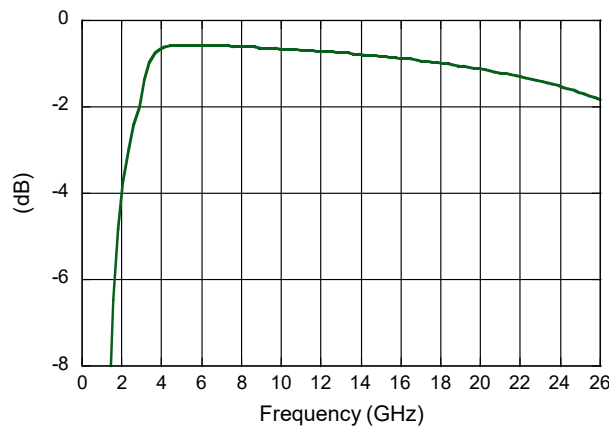
Typical RF Performance at $T_A = +25^\circ\text{C}$, 20 mA Bias Current

MASW-002102

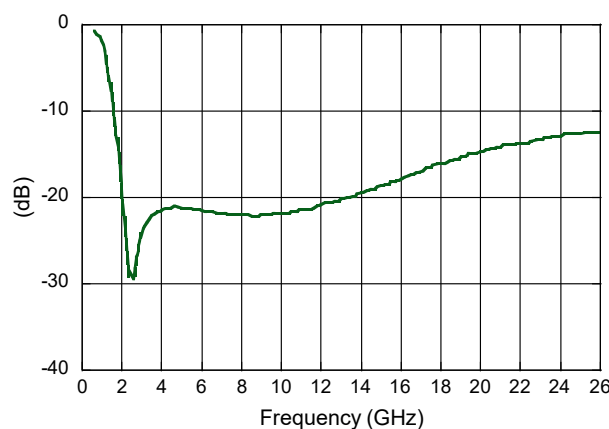
Isolation



Insertion Loss

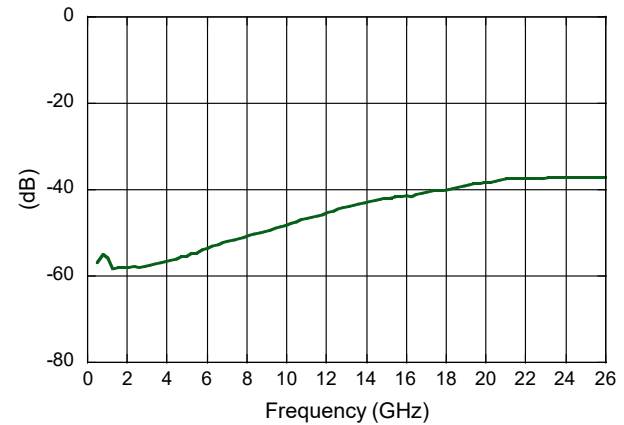


Return Loss

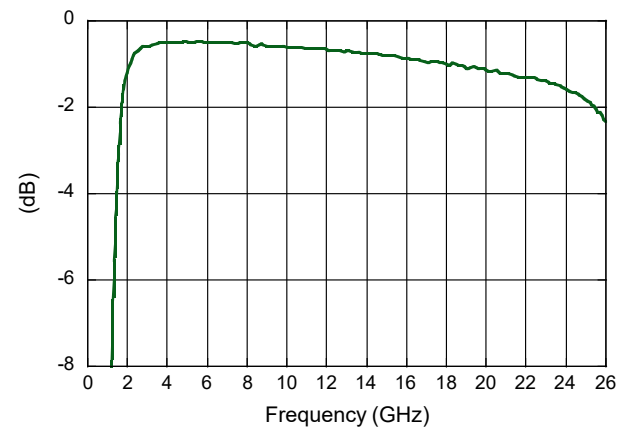


MASW-003102

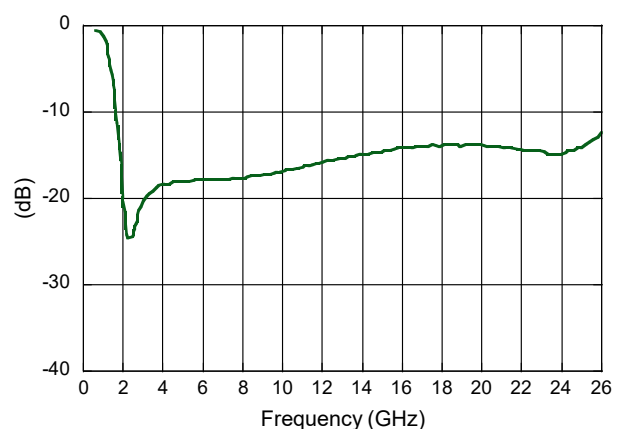
Isolation



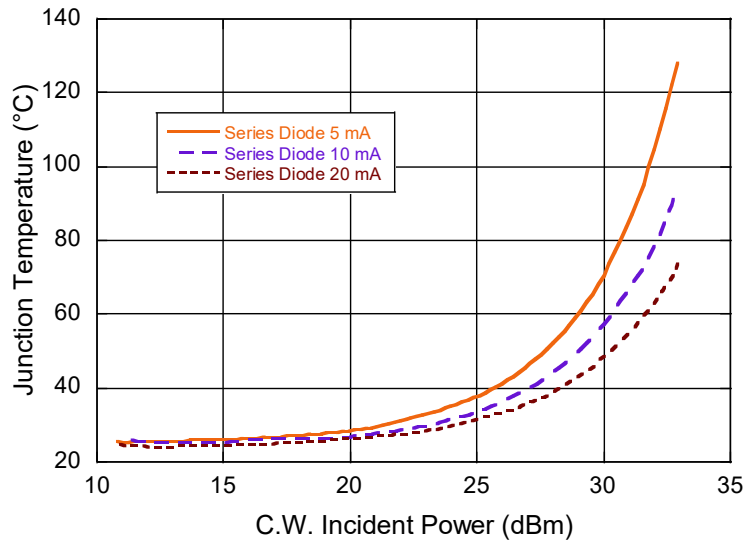
Insertion Loss



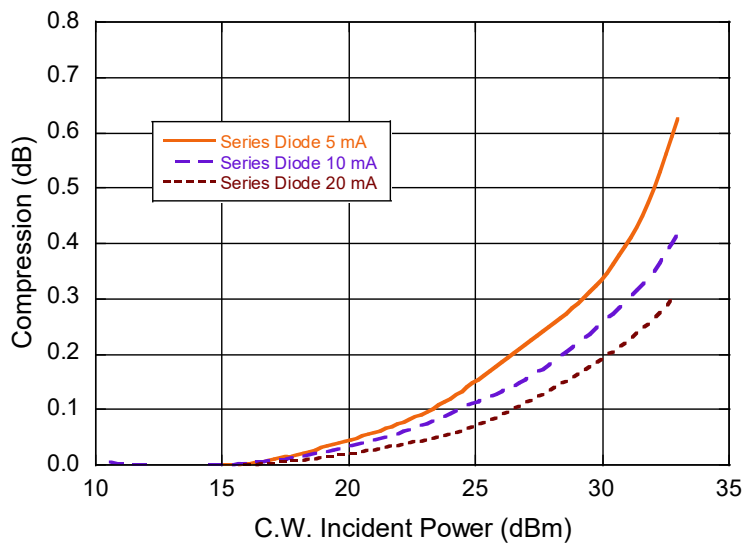
Return Loss



MASW-002102 Series Junction Temperature vs. Incident Power @ 8 GHz, $T_A = +25^\circ\text{C}$



MASW-002102 Compression vs. Incident Power @ 8 GHz, $T_A = +25^\circ\text{C}$



6. The MASW-003102 contains the same PIN diodes and will have similar performance.

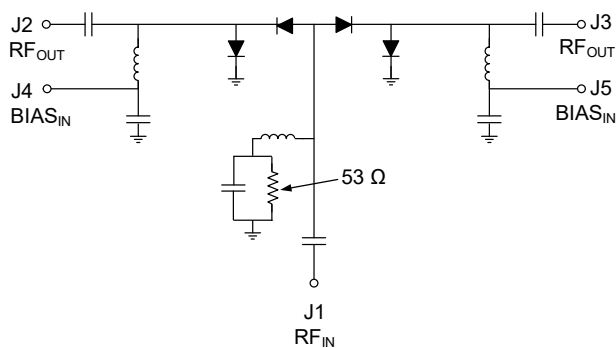
Operation of MASW-00x102 Series

Operation of the MASW-00x102 series PIN diode switches is achieved by simultaneous application of DC currents to the bias pads. The required levels for the different states are shown in the tables below. The control currents should be supplied by constant current sources. The nominal DC voltage at the BIAS_{IN} ports is approximately +1 V for 20 mA bias current and approximately -1.8 V to -2.2 V for -20 mA bias current. If a higher magnitude negative voltage switch is required to improve intermodulation products, then one may want to consider using the MASW-011052 or the MASW-011053 switch.

The MADR-011022 which is a +5 V and a -10 V to -25 V driver is recommended for the MASW-002102 and the MASW-003102 switches.

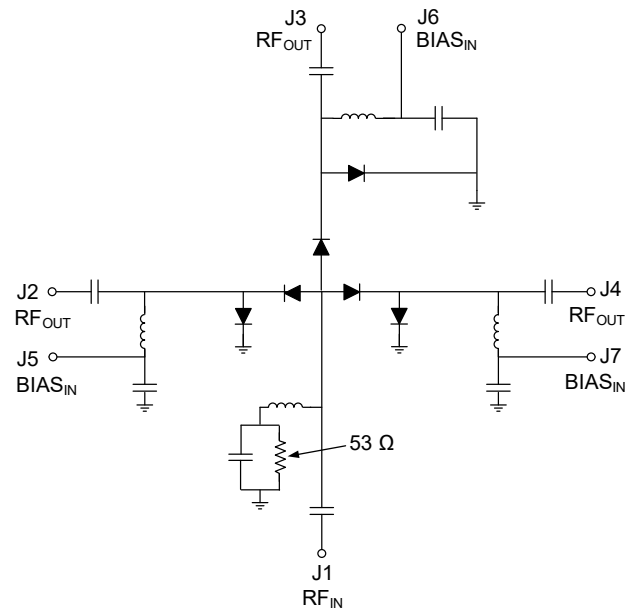
Driver / Bias Connections

MASW-002102 (SP2T)



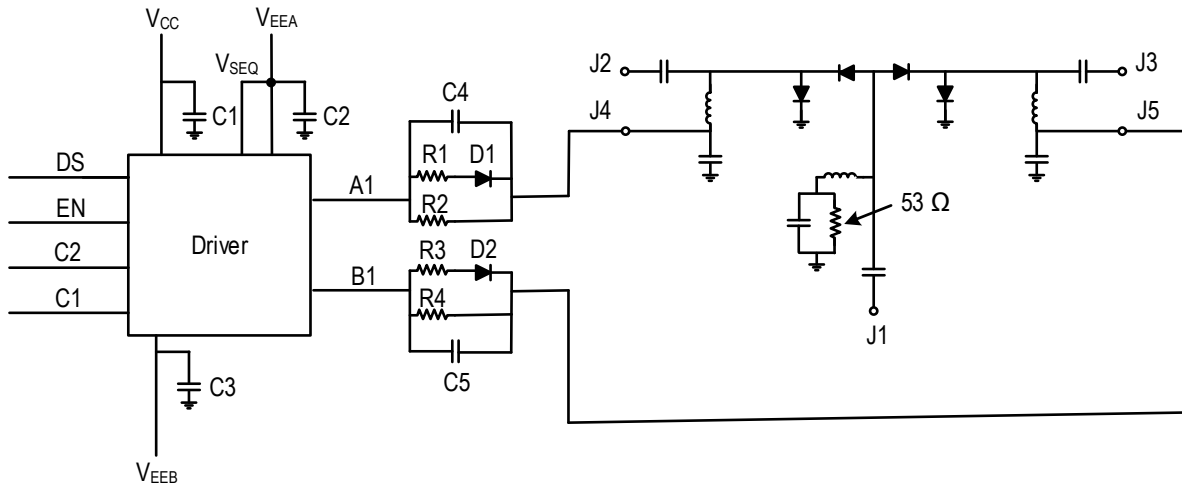
DC Control Current (mA)		RF Output States	
J4	J5	J1-J2	J1-J3
-20	+20	low loss	Isolation
+20	-20	Isolation	low loss

MASW-003102 (SP3T)



DC Control Current (mA)			RF Output States		
J5	J6	J7	J1-J2	J1-J3	J1-J4
-20	+20	+20	low loss	Isolation	Isolation
+20	-20	+20	Isolation	low loss	Isolation
+20	+20	-20	Isolation	Isolation	low loss

MASW-002102 with MADR-011022 Driver Application Schematic

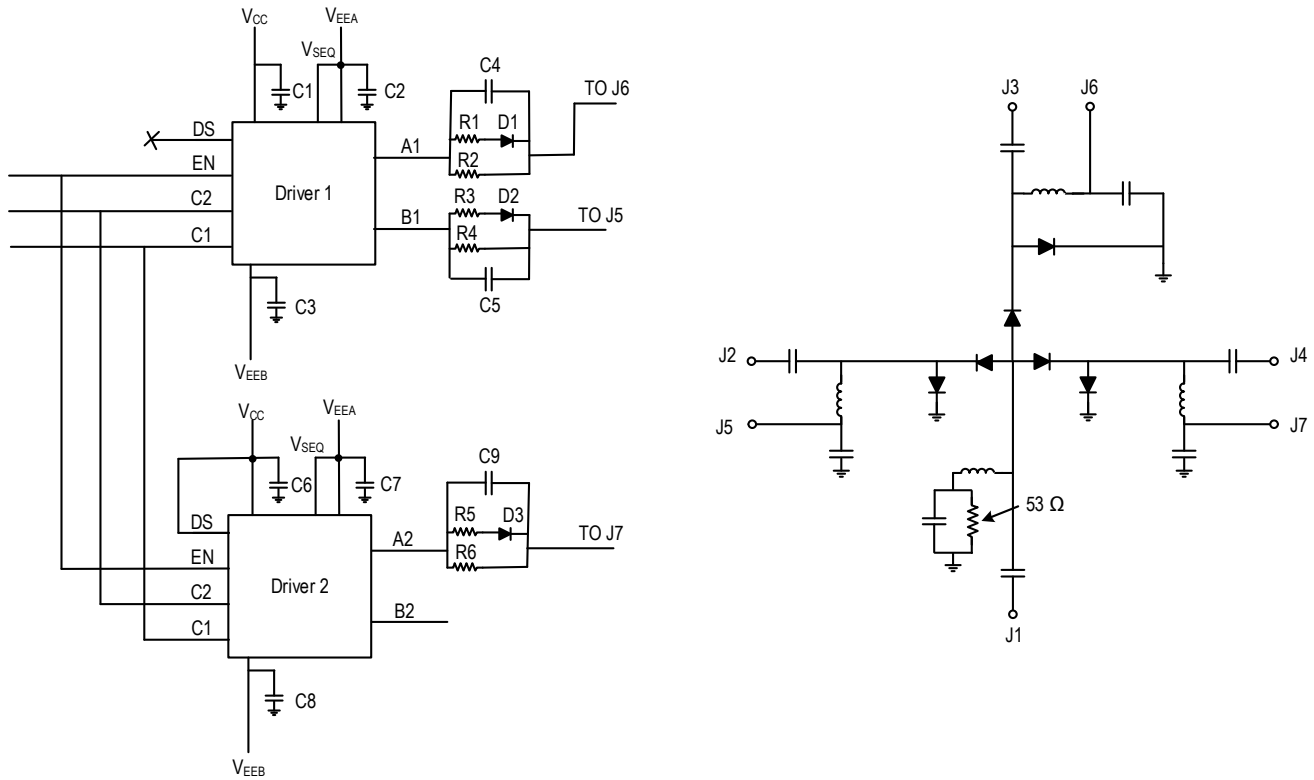


Parts List⁷

Part	Value
C1, C3	0.1 μ F
C2	47 pF
C4, C5	470 pF
R1, R3	430 Ω
R2, R4	560 Ω
D1, D2	1N4148WS

7. Resistor values calculated to provide 15 mA of bias current given $V_{CC} = 5$ V, $V_{EEB} = -10$ V, voltage drop at driver output 0.4 V, V_F of D1 0.7 V and V_F of switch diodes 1 V.

MASW-003102 with MADR-011022 Driver Application Schematic



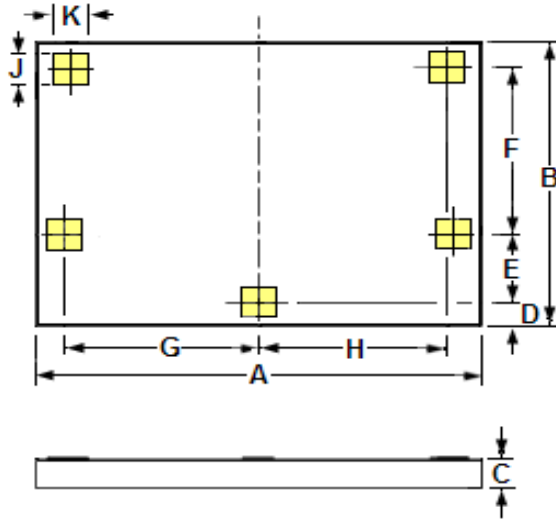
Parts List⁷

Part	Value
C1,C3,C6,C8	0.1 μ F
C2,C7	47 pF
C4,C5,C9	470 pF
R1,R3,R5	430 Ω
R2,R4,R6	560 Ω
D1,D2,D3	1N4148WS

7. Resistor values calculated to provide 15 mA of bias current given $V_{CC} = 5$ V, $V_{EEB} = -10$ V, voltage drop at driver output 0.4 V, V_F of D1 0.7 V and V_F of switch diodes 1 V.

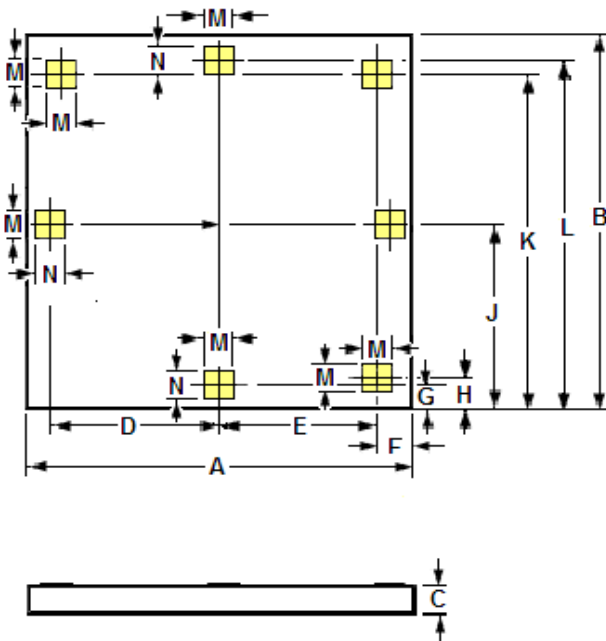
Chip Outline Drawings^{8,9}

MASW-002102 (SP2T)



Dim.	Inches		mm	
	Min.	Max.	Min.	Max.
A	0.066	0.070	1.680	1.780
B	0.048	0.052	1.230	1.330
C	0.004	0.006	0.100	0.150
D	0.004	0.006	0.090	0.140
E	0.012	0.013	0.292	0.317
F	0.029	0.030	0.735	0.760
G	0.030	0.031	0.766	0.791
H	0.029	0.030	0.732	0.757
J	0.005	REF.	0.129	REF.
K	0.005	REF.	0.129	REF.

MASW-003102 (SP3T)



Dim.	Inches		mm	
	Min.	Max.	Min.	Max.
A	0.071	0.072	1.807	1.833
B	0.071	0.072	1.797	1.823
C	0.0045	0.0055	0.100	0.150
D	0.031	0.032	0.781	0.807
E	0.029	0.030	0.732	0.758
F	0.006	0.007	0.152	0.178
G	0.004	0.005	0.099	0.125
H	0.005	0.006	0.125	0.151
J	0.034	0.035	0.871	0.897
K	0.064	0.065	1.617	1.643
L	0.066	0.067	1.683	1.709
M	0.005	REF.	0.1250	REF.
N	0.0046	REF.	0.1180	REF.

8. Topside and backside metallization is gold, 2.5 μm thick typical.
9. Yellow areas indicate ribbon/wire bonding pads

MACOM Technology Solutions Inc. ("MACOM"). All rights reserved.

These materials are provided in connection with MACOM's products as a service to its customers and may be used for informational purposes only. Except as provided in its Terms and Conditions of Sale or any separate agreement, MACOM assumes no liability or responsibility whatsoever, including for (i) errors or omissions in these materials; (ii) failure to update these materials; or (iii) conflicts or incompatibilities arising from future changes to specifications and product descriptions, which MACOM may make at any time, without notice. These materials grant no license, express or implied, to any intellectual property rights.

THESE MATERIALS ARE PROVIDED "AS IS" WITH NO WARRANTY OR LIABILITY, EXPRESS OR IMPLIED, RELATING TO SALE AND/OR USE OF MACOM PRODUCTS INCLUDING FITNESS FOR A PARTICULAR PURPOSE, MERCHANTABILITY, INFRINGEMENT OF INTELLECTUAL PROPERTY RIGHT, ACCURACY OR COMPLETENESS, OR SPECIAL, INDIRECT, INCIDENTAL, OR CONSEQUENTIAL DAMAGES WHICH MAY RESULT FROM USE OF THESE MATERIALS.

MACOM products are not intended for use in medical, lifesaving or life sustaining applications. MACOM customers using or selling MACOM products for use in such applications do so at their own risk and agree to fully indemnify MACOM for any damages resulting from such improper use or sale.