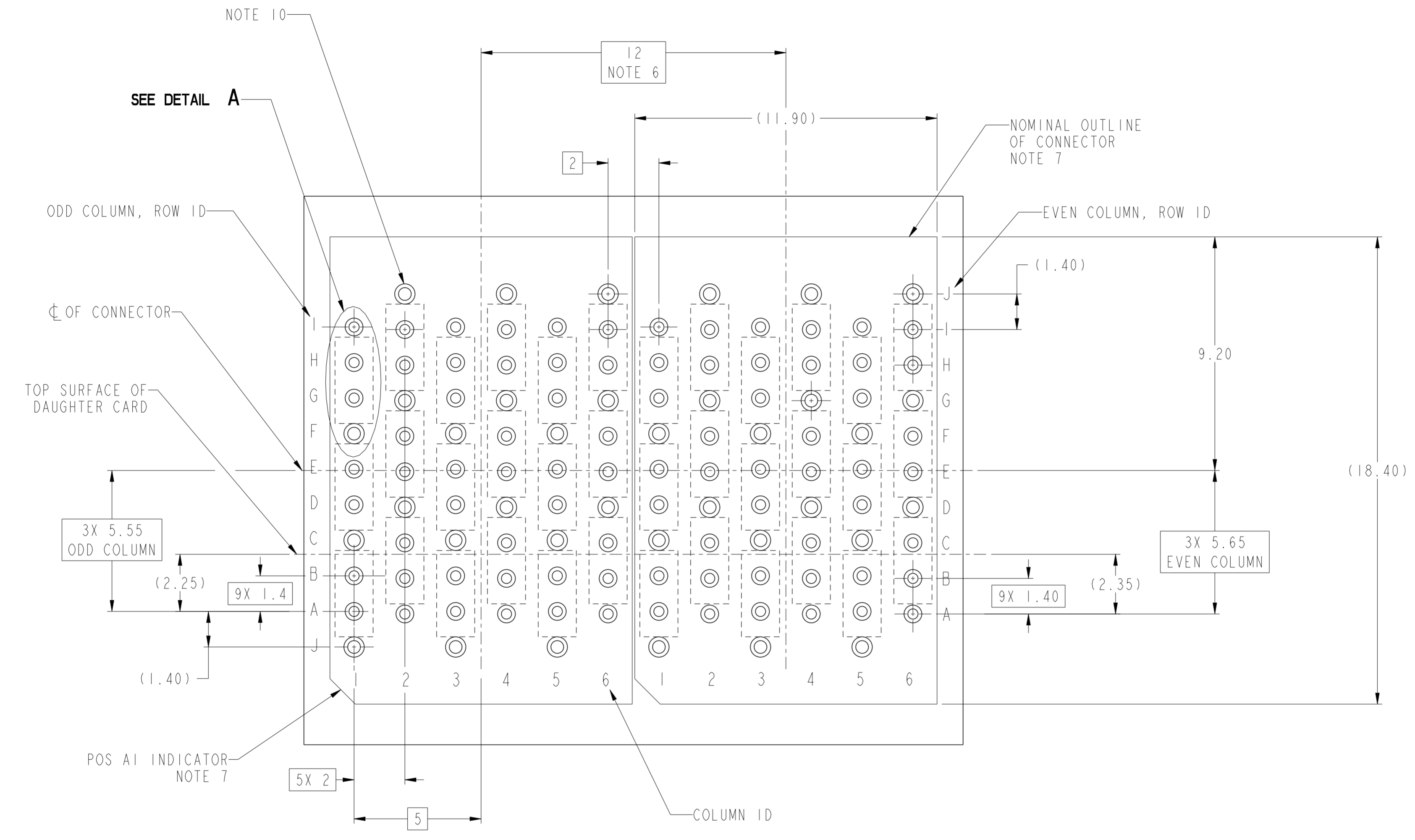


VIEWS SHOWN WITH PROTECTIVE COVER INSTALLED

spec ref	-	dr	Robin Johnson	2010/1204	projection	MM	size	A2	scale	5:1	
tolerance std	ASME Y14.5	eng	Terry Luo	2019/03/18			ecn no	ELX-DG-32957-1			
TOLERANCES UNLESS OTHERWISE SPECIFIED		chr	Stone Li	2019/03/19			rel level	Released			
surface	-	appr	Heaven Cen	2019/03/19			product family	AIRMAX VS			
linear	0.X ±0.3 0.XX ±0.10 0.XXX ±0.050	Amphenol FCI		title		AIRMAX VSe VERTICAL HEADER		div no	10116601		
angular	0° ±2°	Amphenol FCI		SMALL PRESS-FIT, 54 POS, 12 mm		cat. no.	-		Product - Customer Drw	sheet 2 of 4	

Amphenol FCI

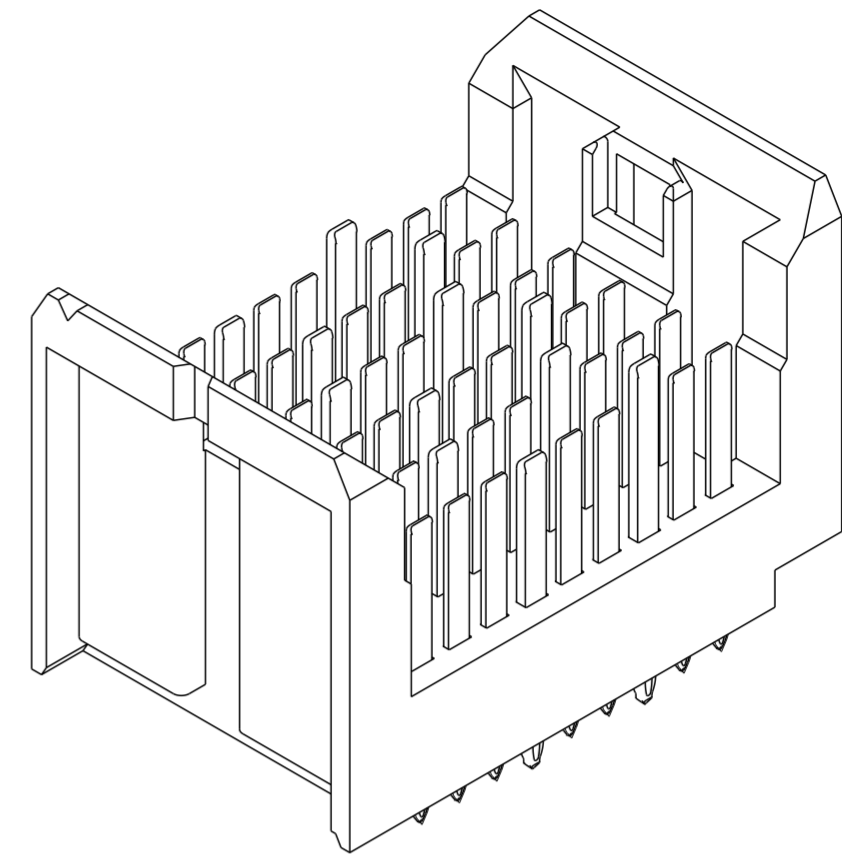
© 2016 AFCI



RECOMMENDED PCB LAYOUT
FOR DIFFERENTIAL APPLICATIONS,
COMPONENT SIDE
(TWO ADJACENT FOOTPRINTS SHOWN)
NOTES 6, AND 8

spec ref	-	dr	Robin Johnson	2010/12/04	projection	MM	size	A2	scale	3:1				
tolerance std	ASME Y14.5	eng	Terry Luo	2019/03/18			ecn no	ELX-DG-32957-1	rel level	Released				
TOLERANCES UNLESS OTHERWISE SPECIFIED		chr	Stone Li	2019/03/19										
		appr	Heaven Cen	2019/03/19										
surface	-	product family	AIRMAX VS		title	AIRMAX VSe VERTICAL HEADER		div no	10116601	rev	E			
ASME Y14.5	linear	0.X	±0.3	0.XX	±0.10	0.XXX	±0.050	angular	0°	±2°	cat. no.	-	Product - Customer Drw	sheet 3 of 4

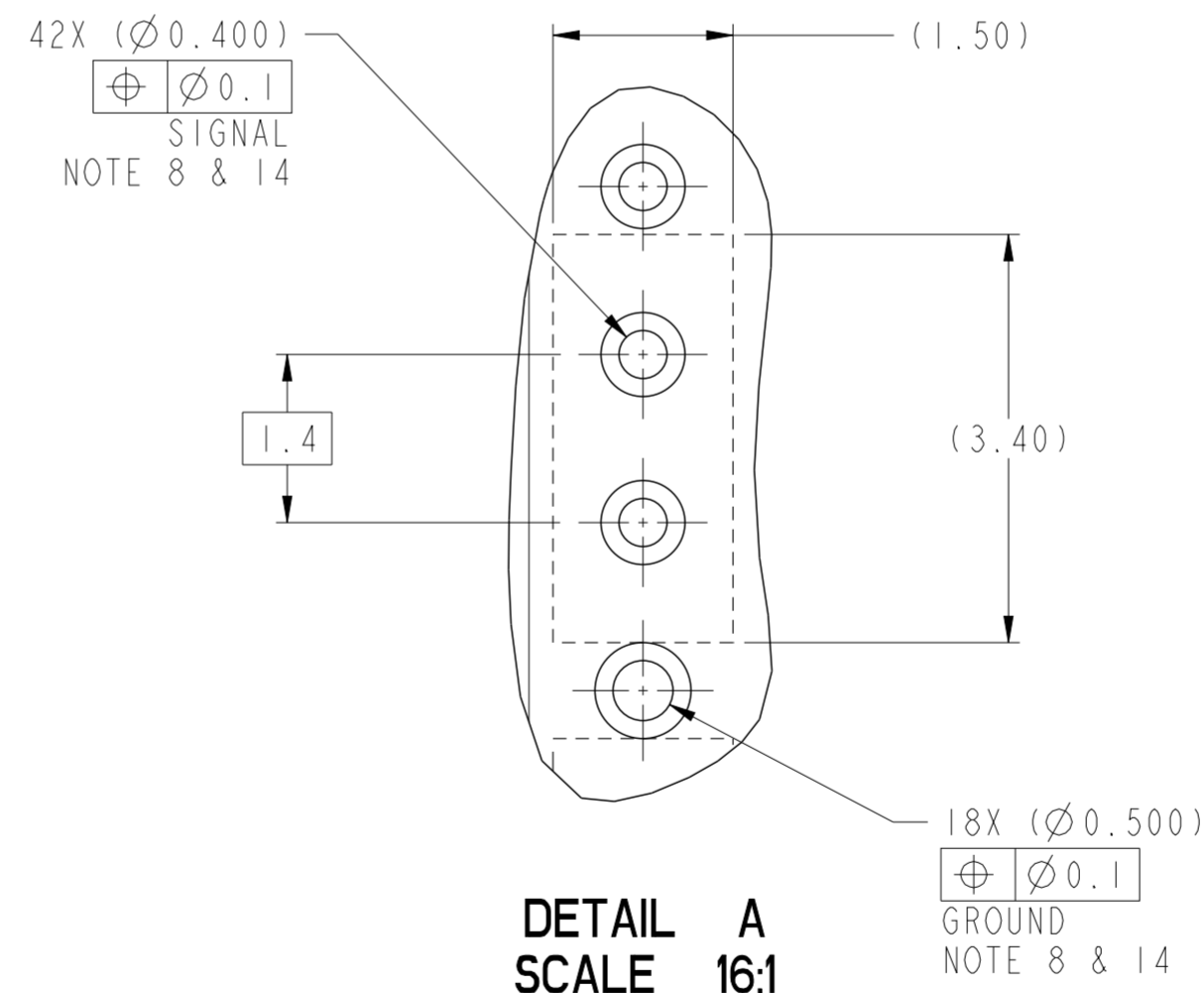
PART NUMBER	PRESS-FIT TAIL PLATING TYPE	PROTECTIVE COVER	LONG GROUND PIN LOCATIONS (5.6MM)	REMARKS
10116601-101LF	TIN OVER NICKEL (LEAD FREE)	YES	F1, F3, F5, G2, G4, G6	WITHOUT DETECTION PIN
10116601-111LF	TIN OVER NICKEL (LEAD FREE)	YES	F1, F3, F5, G2, G4, G6	WITH SHORT DETECTION PIN LOCATS AT A6



10116601-101LF

NOTES:

- CONNECTOR MATERIALS:
HOUSING: HIGH TEMP THERMOPLASTIC, BLACK, UL94V-0
CONTACT: COPPER ALLOY
- CONTACT PLATING:
SEPARABLE INTERFACE: PERFORMANCE-BASED PLATING, QUALIFIED TO MEET THE REQUIREMENTS OF FCI PRODUCT SPECIFICATION GS-12-XXX INCLUDING TELCORDIA GR-1217-CORE (NOVEMBER 1995) CENTRAL OFFICE TEST SEQUENCE
PRESS-FIT TAILS: SEE TABLE
- PRODUCT SPECIFICATION: GS-12-XXX.
- APPLICATION SPECIFICATION: GS-20-XXX.
- PRODUCT MARKING, (PROTOTYPE, PART NUMBER & LOT CODE), ON THIS SURFACE.
- THE MINIMUM CENTERLINE SPACING BETWEEN ADJACENT MODULES IS 12.0 mm.
- CONNECTOR OUTLINE WITH HOUSING POS AI INDICATOR MAY BE SCREEN PRINTED ONTO CUSTOMER PCB TO BE USED AS A GUIDE FOR MANUAL CONNECTOR PLACEMENT.
- REFER TO CUSTOMER DRAWING 10104444 FOR INFORMATION ON PCB HOLE DIAMETERS AND PLATING OPTIONS.
- LEAD FREE PRODUCT MEETS EUROPEAN UNION DIRECTIVES AND OTHER COUNTRY REGULATIONS AS DESCRIBED IN GS-22-008.
- THE OUTER VIAS IN COLUMN J ARE OPTIONAL. IF ADDED THESE HOLES PROVIDE GROUND SYMETRY THROUGH THE PCB. NO CONNECTOR EONS WILL BE PRESSED INTO THESE HOLES.
- PACKAGING MEETS GS-14-920 LEAD FREE LABELING SPECIFICATION.
- FOR REMOVAL OF THE PROTECTIVE CAP BY HAND, GRIP USING THESE SURFACES.
- FOR REMOVAL OF THE PROTECTIVE CAP WITH PLIERS, GRIP USING THIS FEATURE.
- GROUND VIAS IN POSITIONS C, F, & J FOR ODD COLUMNS AND POSITIONS D, G, & J FOR EVEN COLUMNS REQUIRE (Ø0.50) FINISHED HOLES. ALL OTHER VIAS REQUIRE (Ø0.40) FINISHED HOLES.
- A Δ SYMBOL WILL BE NEXT TO ANY DIMENSION, VIEW, OR NOTE THAT HAS BEEN MODIFIED WITH THE CURRENT DRAWING REVISION.
- SHORT DETECTION PIN LOCATES AT A6 IS 0.5mm LESS WIPE NOMINAL THAN THE SHORTEST PIN.



DETAIL A
SCALE 16:1

spec ref	-	dr	Robin Johnson	2010/12/04	projection	MM	size	A2	scale	5:1
tolerance std	ASME Y14.5	eng	Terry Luo	2019/03/18			ecn no	ELX-DG-32957-1		
TOLERANCES UNLESS OTHERWISE SPECIFIED		chr	Stone Li	2019/03/19			rel level	Released		
surface	-	appr	Heaven Cen	2019/03/19			product family	AIRMAX VS	div no	10116601
ASME Y14.5	linear	0.X	±0.3	Amphenol FCI		title	AIRMAX VSe VERTICAL HEADER		cat. no.	-
		0.XX	±0.10				SMALL PRESS-FIT, 54 POS, 12 mm		Product - Customer Drw	sheet 4 of 4
	angular	0°	±2°							

PDS: Rev :E

STATUS:Released

Printed: Mar 19, 2019