

5-160429-6 ✓ ACTIVE

FASTON | FASTON 187

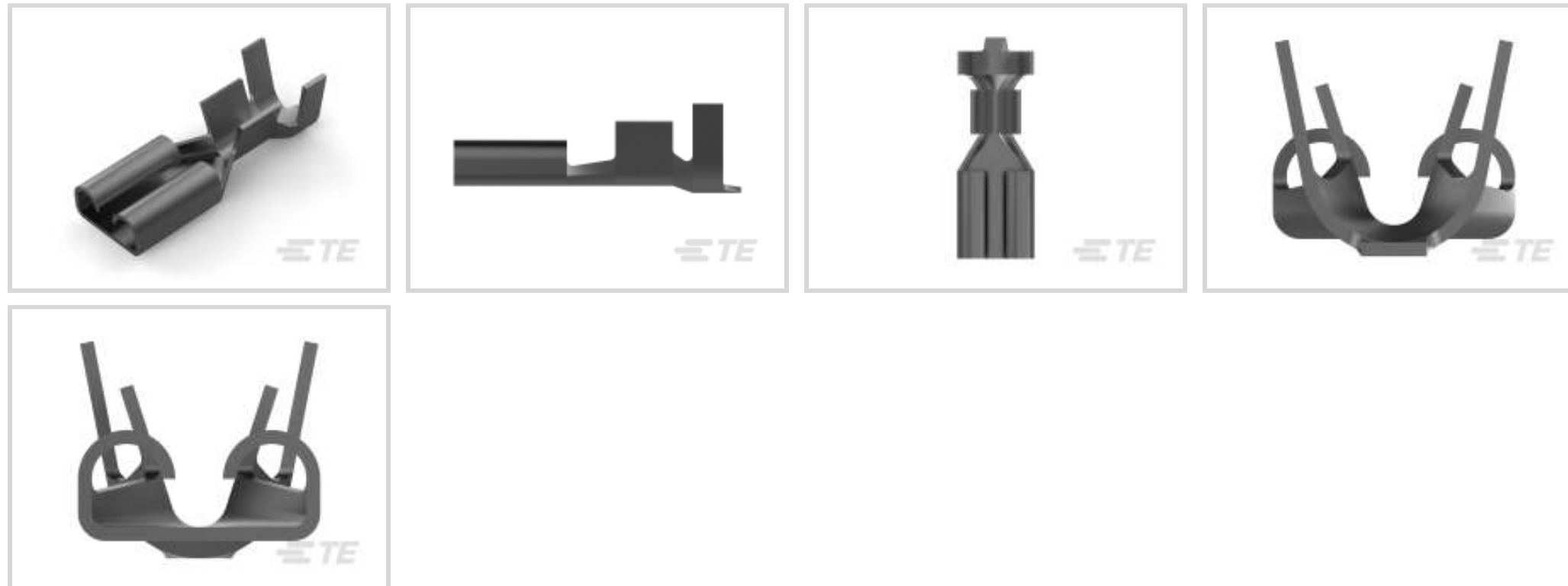
TE Internal #: 5-160429-6

Quick Disconnects, Receptacle, 16 – 14 AWG Wire Size, 1.03 – 2.62 mm² Wire Size, Mating Tab Width 4.75 mm [.187 in], Straight, FASTON 187

[View on TE.com >](#)



Terminals & Splices > Quick Disconnects



Quick Disconnect Terminal Type: **Receptacle**

Wire Size: 1.03 – 2.62 mm²

Mating Tab Width: 4.75 mm [.187 in]

Mating Tab Thickness: .81 mm [.032 in]

Features

Product Type Features

Insertion Force	Low
-----------------	-----

Configuration Features

Connection Capacity	Single
---------------------	--------

Compatible With Wire & Cable Type	Discrete Wire
-----------------------------------	---------------

Contact Features

Quick Disconnect Terminal Type	Receptacle
--------------------------------	------------

Mating Tab Width	4.75 mm [.187 in]
------------------	-------------------

Mating Tab Thickness	.81 mm [.032 in]
----------------------	------------------

Terminal Orientation	Straight
----------------------	----------

Contact Base Material	Phosphor Bronze
-----------------------	-----------------

Terminal Plating Material	Tin
---------------------------	-----

Crimp Type	F-Crimp
------------	---------

Barrel Type	Open
-------------	------

Termination Features



Product Terminates To	Wire & Cable
-----------------------	--------------

Mechanical Attachment

Extraction Force	70 Newton
------------------	-----------

Wire Insulation Support	With
-------------------------	------

Mating Retention Type	Dimple
-----------------------	--------

Dimensions

Terminal Material Thickness	.3 mm[.012 in]
-----------------------------	----------------

Product Length	15 mm[.59 in]
----------------	---------------

Compatible Insulation Diameter Range	3 – 4.32 mm[.118 – .17 in]
--------------------------------------	----------------------------

Wire Size	1.03 – 2.62 mm ²
-----------	-----------------------------

Usage Conditions

Insulation Option	Uninsulated
-------------------	-------------

Operating Temperature Range	-40 – 110 °C[-40 – 230 °F]
-----------------------------	----------------------------

Industry Standards

Agency/Standard	CSA, UL
-----------------	---------

Packaging Features

Packaging Quantity	12000
--------------------	-------

Packaging Method	Strip/Reel
------------------	------------

Product Compliance

[For compliance documentation, visit the product page on TE.com>](#)

EU RoHS Directive 2011/65/EU	Compliant
------------------------------	-----------

EU ELV Directive 2000/53/EC	Compliant
-----------------------------	-----------

China RoHS 2 Directive MIIT Order No 32, 2016	No Restricted Materials Above Threshold
---	---

EU REACH Regulation (EC) No. 1907/2006	Current ECHA Candidate List: JUNE 2023 (235) Candidate List Declared Against: JAN 2023 (233) Does not contain REACH SVHC
--	--

Halogen Content	Low Halogen - Br, Cl, F, I < 900 ppm per homogenous material. Also BFR/CFR/PVC Free
-----------------	---

Solder Process Capability	Not applicable for solder process capability
---------------------------	--

Product Compliance Disclaimer

This information is provided based on reasonable inquiry of our suppliers and represents our current actual knowledge based on the information they provided. This information is subject to change. The part numbers that TE has identified as EU RoHS compliant have a maximum concentration of 0.1% by weight in homogenous materials for lead, hexavalent chromium, mercury, PBB, PBDE, DBP, BBP, DEHP, DIBP, and 0.01% for cadmium, or qualify for an exemption to these limits as defined in the Annexes of Directive 2011/65/EU (RoHS2). Finished electrical and electronic equipment products will be CE marked as required by Directive 2011/65/EU. Components may not be CE marked. Additionally, the part numbers that TE has identified as EU ELV compliant have a maximum concentration of 0.1% by weight in homogenous materials for lead, hexavalent chromium, and mercury, and 0.01% for cadmium, or qualify for an exemption to these limits as defined in the Annexes of Directive 2000/53/EC (ELV). Regarding the REACH Regulation, the information TE provides on SVHC in articles for this part number is based on the latest European Chemicals Agency (ECHA) 'Guidance on requirements for substances in articles' posted at this URL: <https://echa.europa.eu/guidance-documents/guidance-on-reach>

Compatible Parts



TE Part # 881624-2
187 FASTON REC 17-14 AWG TPBR



TE Part # 2-2150298-1
OCEAN_2.0_Applicator-E-120F155F



TE Part # 2-2150298-2
OCEAN_2.0_Applicator-E-120F155FA



TE Part # 2150298-1
OCEAN_2.0_Applicator-E-120F155F



TE Part # 2150298-2
OCEAN_2.0_Applicator-E-120F155FA



TE Part # 6-160429-2
187 FASTON REC 17-14 AWG TPBR



TE Part # 7-2150298-1
OCEAN_2.0_Applicator-E-120F155F



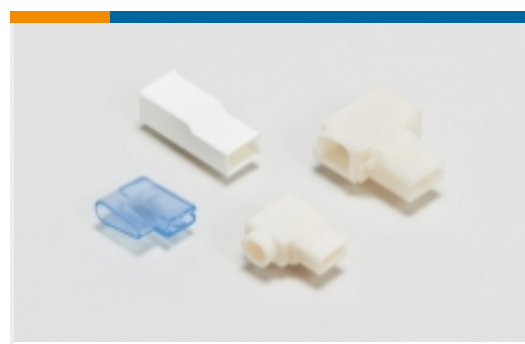
TE Part # 7-2150298-2
OCEAN_2.0_Applicator-E-120F155FA



KIT
REPRESENTATION ONLY

TE Part # 7-2150298-7
OCEAN_2.0_SPARE_PART_KIT-120F155F

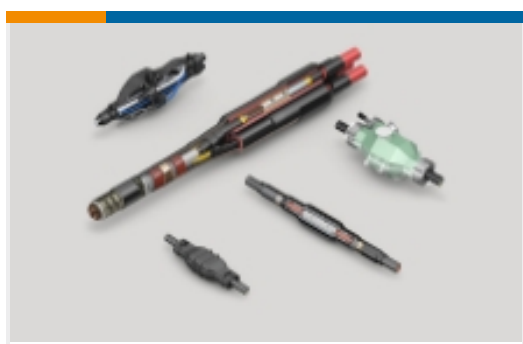
Also in the Series | **FASTON 187**



Crimp Terminal Housings(42)



Insertion & Extraction Tools(1)



Joints & Splices(1)



PCB Terminals(42)



Quick Disconnects(209)



Splices(1)

Customers Also Bought



TE Part #54771-1
PIDG Ring Tongue Terminals



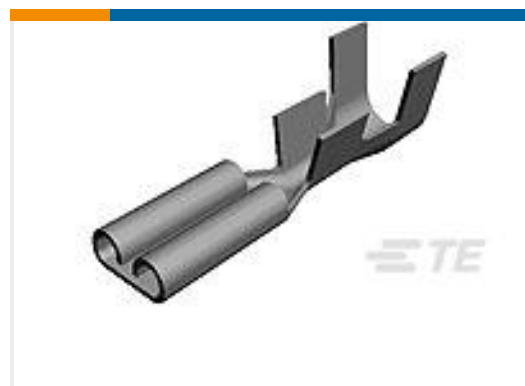
TE Part #1-1393219-0
PE014024



TE Part #160655-4
FF 110 REC TERMINAL 20-15 AWG
PTPPB



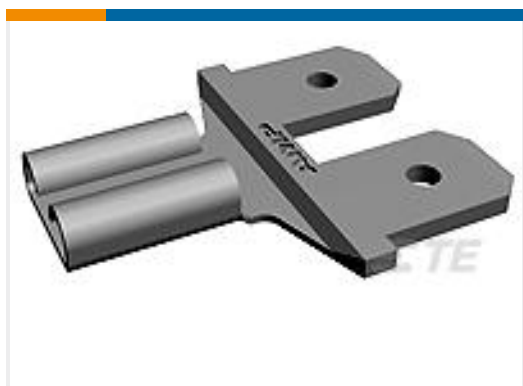
TE Part #5-160558-9
FF 250 REC 0.5-1.5MM2 TPPB



TE Part #61158-1
110 FASTON REC 22-18 AWG TPBR



TE Part #6609075-4
3DAF1=F7972 S0



TE Part #63699-1
ADAPTER 187 FASTON TPBR



TE Part #1609136-2
GA310 DA PLUG ASSY=F6824

Documents

Product Drawings

[187 FASTON REC 16-14 AWG TPBZ](#)

English

CAD Files

Customer View Model

[ENG_CVM_CVM_5-160429-6_AH.2d_dxf.zip](#)

English

[3D PDF](#)



3D

Customer View Model

[ENG_CVM_CVM_5-160429-6_AH.3d_igs.zip](#)

English

Customer View Model

[ENG_CVM_CVM_5-160429-6_AH.3d_stp.zip](#)

English

By downloading the CAD file I accept and agree to the [Terms and Conditions](#) of use.

Product Specifications

[EB**General Application Specification for Open Barrel Terminals](#)

English

[Application Specification](#)

English

Product Environmental Compliance

[Product Compliance](#)

English

[Product Compliance](#)

English

Agency Approvals

[UL Report](#)

English