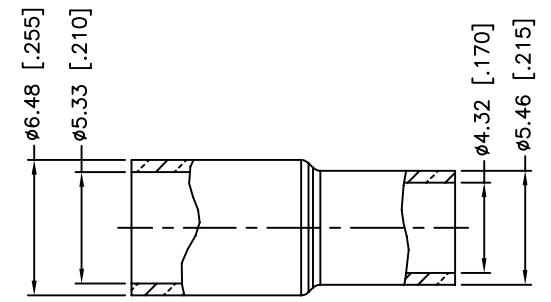
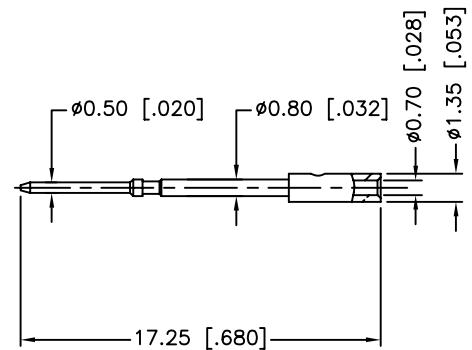
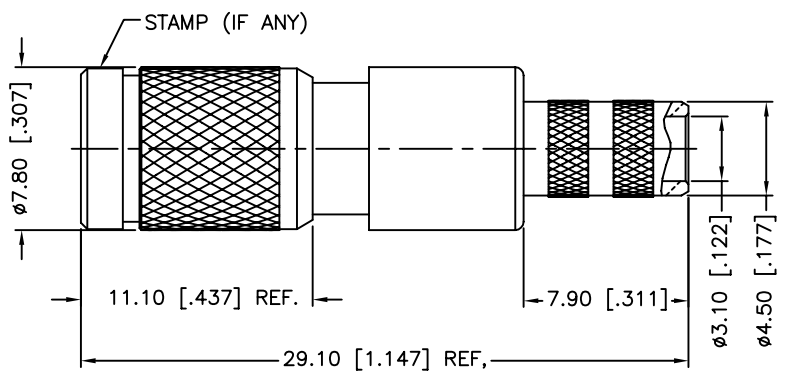
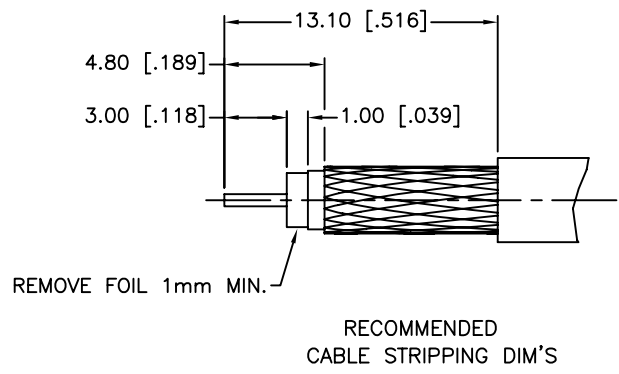


REV.	DATE	ECR NO.	DESCRIPTION
NC	09/09/10	XXXXXX	INITIAL RELEASE



1. FREQUENCY RANGE: DC - 3 GHz
2. VSWR (RETURN LOSS): 1.15, MAX.
3. CRIMPED FERRULE
HEX CRIMP SIZE .213"
4. CRIMPED CONTACT PIN
HEX CRIMP SIZE .043"

DESCRIPTION	MATERIAL	FINISH	QTY
8 FERRULE	COPPER	NICKEL	1
7 CONTACT PIN	BRASS	GOLD	1
6 BARREL	BRASS	NICKEL	1
5 OUT CONTACT	BER. COPPER	GOLD	1
4 INSULATOR	PTFE	NATURAL	1
3 SPRING	SUS 301H	PASSIVATED	1
2 BODY	BRASS	NICKEL	1
1 SHELL	BRASS	NICKEL	1

UNLESS OTHERWISE SPECIFIED DIMENSIONS ARE IN MILLIMETERS. DIMENSIONS IN [] ARE IN INCHES AND FOR CUSTOMER REFERENCE ONLY.

UNLESS OTHERWISE SPECIFIED TOLERANCES FOR MILLIMETERS ARE:
0.5 - 8mm ± 0.20mm
8 - 30mm ± 0.40mm
30 - 120mm ± 0.50mm

UNLESS OTHERWISE SPECIFIED TOLERANCES FOR INCHES ARE:
.020 - .315 ± 0.007"
.315 - 1.180 ± 0.015"
1.180 - 4.724 ± 0.020"

DO NOT SCALE DRAWING

APPROVALS	DATE
DRAWN M.ZHANG	09/09/10
CHECKED	
ISSUED	
SHEET 1 OF 1	
CAD FILE C:/CONNEX/282125-75.DWG	

Amphenol Connex

PART DESCRIPTION
**1.0/2.3 PUSH-PULL CRIMP PLUG
(FOR BELDEN 1855A CABLE)**

PART NO.
282138-75

DWG. NO. 282138-75.DWG REV. NC SIZE A SCALE NA