

THIS DRAWING IS UNPUBLISHED.

RELEASED FOR PUBLICATION

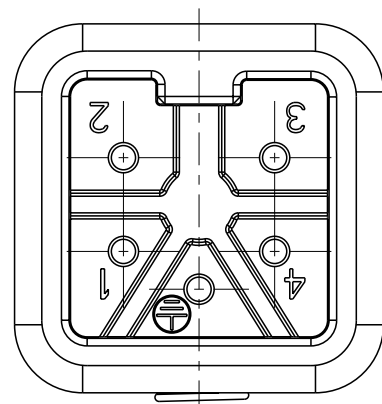
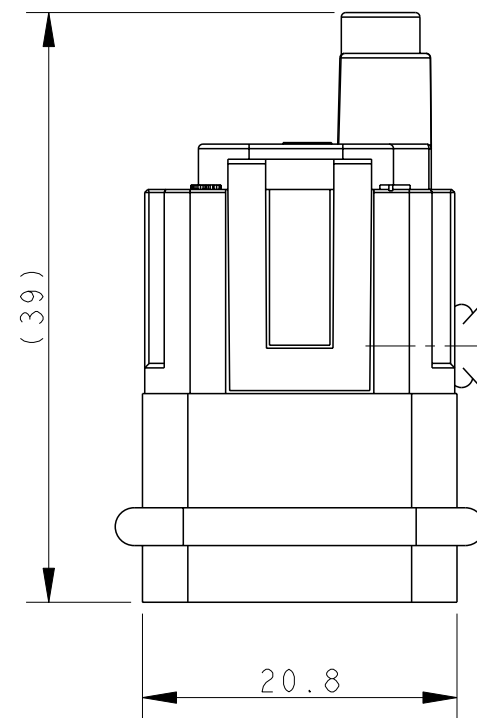
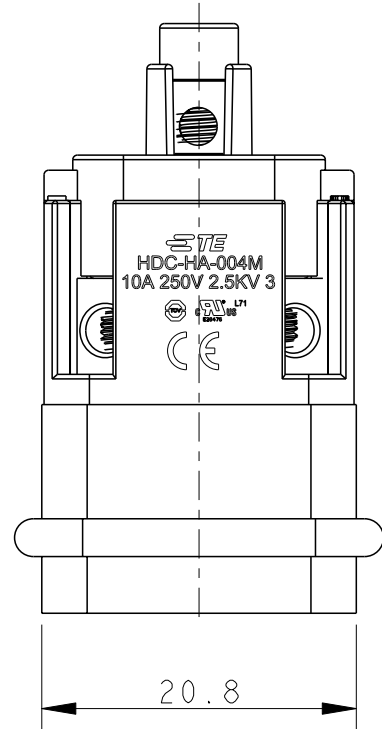
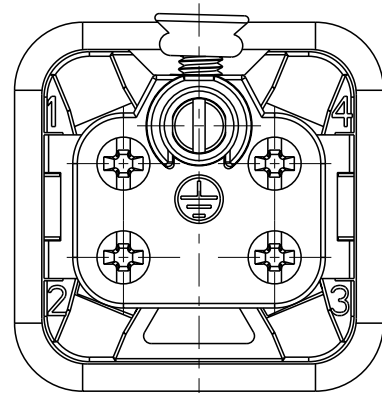
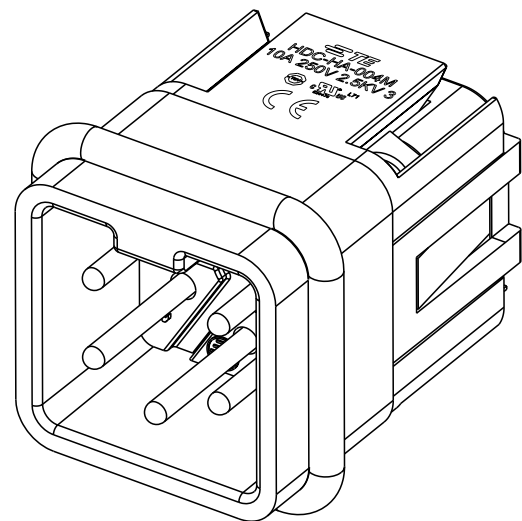
20

© COPYRIGHT 20 BY -

ALL RIGHTS RESERVED.

REVISIONS

P	LTR	DESCRIPTION	DATE	DWN	APVD
B		ECR-15-013750	21SEP2015	DW	CW
B1		ECR-15-016224	05NOV2015	DW	CW
B2		ECR-16-018198	09JAN2017	QY	CW
C		ECR-20-016101	09JUN2021	BS	CW



NOTES:

- TECHNICAL CHARACTERISTICS:
 INSULATION MATERIAL: PC
 RATED VOLTAGE: 250 V
 RATED CURRENT: 10 A
 INSULATION RESISTANCE: $\geq 400M\Omega$
 RATED IMPULSE VOLTAGE: 2.5 KV
 POLLUTION DEGREE: 3
 FLAMMABILITY: UL94V-0
 MATING CYCLES: 500 CYCLES
 WIRE RANGE: 0.5-2.5 mm² (20-14 AWG)
 CONTACT FINISH: SILVER PLATED
 CONTACT TYPE: SCREW CONTACT

注释:

- 技术参数:
 绝缘材料: PC
 额定电压: 250V
 额定电流: 10A
 绝缘电阻: $\geq 400M\Omega$
 额定脉冲电压: 2.5 KV
 污染等级: 3
 阻燃等级: UL94V-0
 插拔次数: 500 次
 接线范围: 0.5-2.5 mm² (20-14 AWG)
 端子表面处理: 镀银
 接线类型: 螺丝连接

M3 SCREW,
 RECOMMENDED
 TIGHTENING
 TORQUE 0.5Nm
 M3螺丝, 推荐锁紧力矩0.5Nm

TYPE-1:T2010042101-000 TE LOGO
 类型-1:T2010042101-000 TE LOGO

THIS DRAWING IS A CONTROLLED DOCUMENT.		DWN 18DEC2014 DAVID WANG		TE Connectivity	
DIMENSIONS: mm		CHK 18DEC2014 CHRIS WANG			
TOLERANCES UNLESS OTHERWISE SPECIFIED:		APVD 18DEC2014 XU XIANG		NAME HA-004-M	
0 PLC ±-		PRODUCT SPEC		SIZE	
1 PLC ±-		108-137045		CAGE CODE	
2 PLC ±-		APPLICATION SPEC		DRAWING NO	
3 PLC ±-		114-137045		RESTRICTED TO	
4 PLC ±-		WEIGHT		A300779	
ANGLES ±-		Customer Drawing		C-T2010042101000	
FINISH		SCALE 2:1		SHEET 1 OF 2	
-				REV C	
-					

printed on 15 Jun 2021 16:15 (China Standard Time) from TE236667

THIS DRAWING IS UNPUBLISHED.

RELEASED FOR PUBLICATION

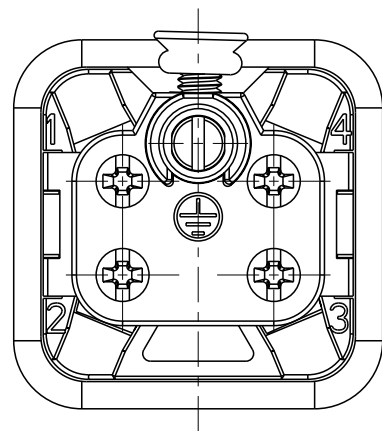
20

© COPYRIGHT 20 BY -

ALL RIGHTS RESERVED.

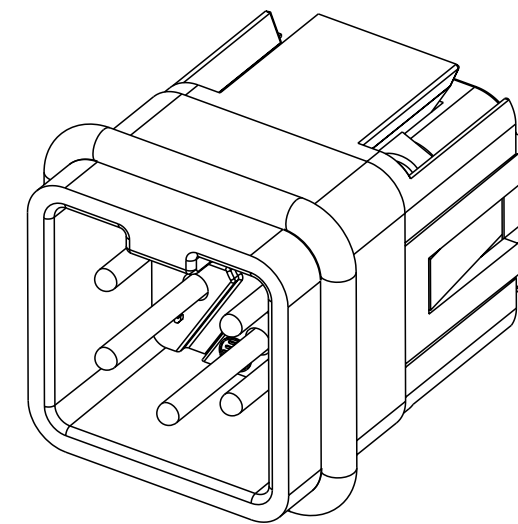
REVISIONS

P	LTR	DESCRIPTION	DATE	DWN	APVD
-	-	SEE SHEET 1	-	-	-

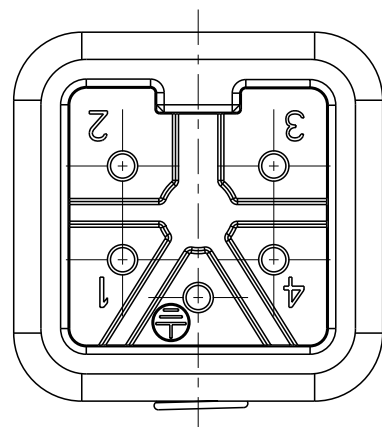
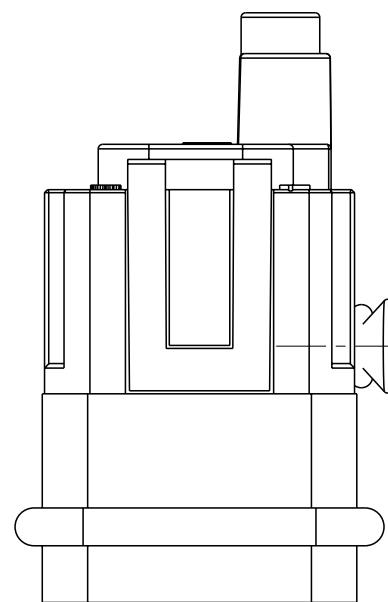
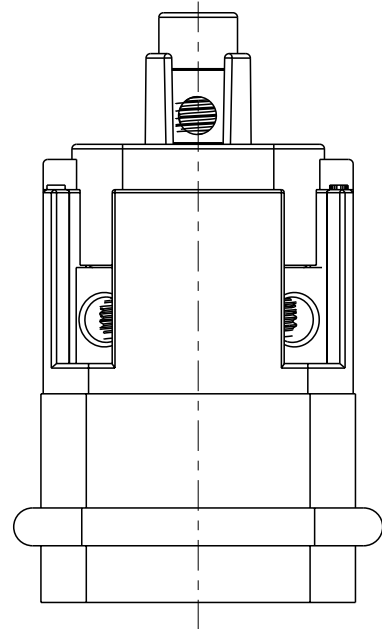


ALL DIMENSIONS ARE SAME AS TYPE 1,
EXCEPT THOSE DEFINED IN THIS TYPE.
除了在本类型中定义的尺寸外, 其它尺寸同类型 1

NOTES:
SEE SHEET 1
注释:
见页 1



TYPE-2: T2010042101-001 STAINLESS STEEL SCREW, NO LOGO
类型-2: T2010042101-001 不锈钢螺丝, 无LOGO



T2010042101-001	HA-004-M	HA-004 MALE INSERT, SIDE OUTLET, TOP LOCK SCREW, STAINLESS STEEL SCREW, NO LOGO HA-004公插, 侧面出线顶部锁螺丝, 不锈钢螺丝, 无LOGO	TYPE-2 类型-2
T2010042101-000	HA-004-M	HA-004 MALE INSERT, SIDE OUTLET, TOP LOCK SCREW HA-004公插, 侧面出线顶部锁螺丝	TYPE-1 类型-1
PART NUMBER 料号	PART DESCRIPTION 描述		TYPE 类型

THIS DRAWING IS A CONTROLLED DOCUMENT.		DWN 18DEC2014 DAVID WANG		
DIMENSIONS: mm		CHK 18DEC2014 CHRIS WANG		
TOLERANCES UNLESS OTHERWISE SPECIFIED:		APVD 18DEC2014 XU XIANG	NAME HA-004-M	
0 PLC ±-		PRODUCT SPEC 108-137045	SIZE	
1 PLC ±-		APPLICATION SPEC 114-137045	CAGE CODE	
2 PLC ±-		WEIGHT -	DRAWING NO A300779	
3 PLC ±-		Customer Drawing	RESTRICTED TO -	
4 PLC ±-			SCALE 2:1	
ANGLES ±-		SHEET 2 OF 2		REV C
FINISH		DRAWING NO T2010042101000		
-		Customer Drawing		
-		SCALE 2:1		

printed on 15 Jun 2021 16:15 (China Standard Time) from TE236667

A

A

D

D

C

B