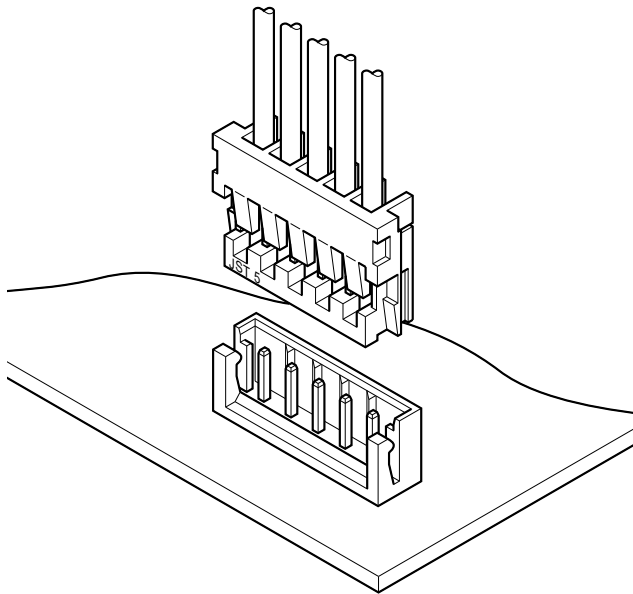


HR CONNECTOR



2.5mm pitch/Disconnectable Insulation displacement connectors



This 2.5mm pitch connector for printed circuit boards has a thin construction. The in-line method provides high-density capability to the end user.

- Twin U-slot insulation displacement section
- Thin design
- High reliability
- Strain relief
- Interchangeability

Specifications

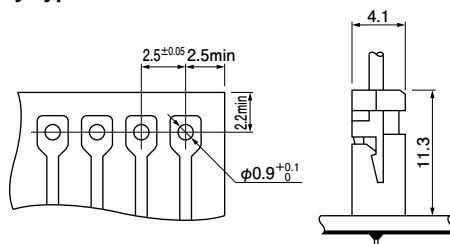
- Current rating: 2A AC, DC (AWG #24)
 - Voltage rating: 250V AC, DC
 - Temperature range: -25°C to +85°C
(including temperature rise in applying electrical current)
 - Contact resistance: Initial value/10m Ω max.
After environmental testing/20m Ω max.
 - Insulation resistance: 1,000M Ω min.
 - Withstanding voltage: 1,000V AC/minute
 - Applicable wire: UL1007
(Contact JST for details regarding other UL styles.)
AWG #28, #26, #24
Conductor/7 strands, tin-coated
Insulation O.D./1.0 to 1.5mm
 - Applicable PC board thickness: 0.8 to 1.6mm
- * RoHS2 compliance.
* In using the products, refer to "Handling Precaution for Terminal and Connector" described on our website (Technical documents of Product information page)
* Contact JST for details.

Standards

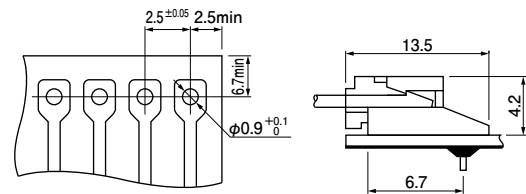
- Recognized E60389
- Certified LR20812
- R50082349

PC board layout (viewed from soldering side) and Assembly layout

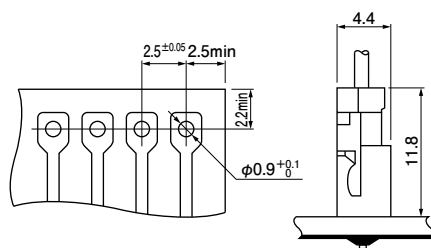
Top entry type



Side entry type



Top entry type on radial-tape

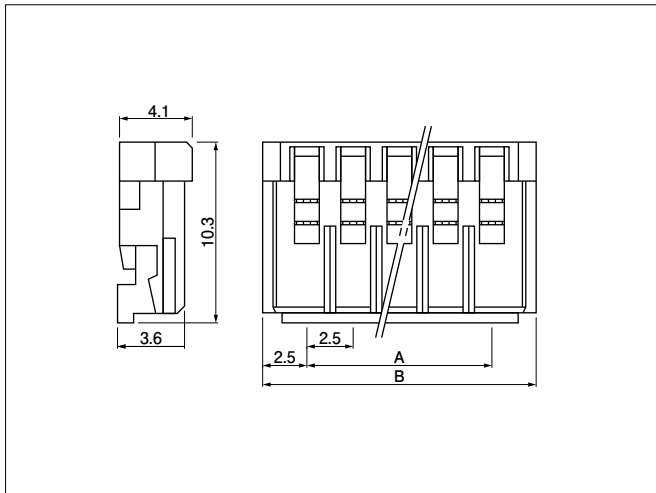


Note: 1. Tolerances are non-cumulative: $\pm 0.05\text{mm}$ for all centers.

2. Hole dimensions differ according to the type of PC board and piercing method. If PC boards made of hard material are used, the hole dimensions should be larger. The dimensions above should serve as a guideline. Contact JST for details.

HR CONNECTOR

Socket



| No. of circuits | Model No. | | | Dimensions (mm) | | Q'ty / box |
|-----------------|-----------------|-------------------------|-----------------|-----------------|------|------------|
| | AWG #28 (green) | AWG #26 (natural/white) | AWG #24 (black) | A | B | |
| 2 | 02HR-8M-P-N | 02HR-6S-P-N | 02HR-4K-P-N | 2.5 | 7.5 | 1,000 |
| 3 | 03HR-8M-P-N | 03HR-6S-P-N | 03HR-4K-P-N | 5.0 | 10.0 | 1,000 |
| 4 | 04HR-8M-P-N | 04HR-6S-P-N | 04HR-4K-P-N | 7.5 | 12.5 | 1,000 |
| 5 | 05HR-8M-P-N | 05HR-6S-P-N | 05HR-4K-P-N | 10.0 | 15.0 | 1,000 |
| 6 | 06HR-8M-P-N | 06HR-6S-P-N | 06HR-4K-P-N | 12.5 | 17.5 | 1,000 |
| 7 | 07HR-8M-P-N | 07HR-6S-P-N | 07HR-4K-P-N | 15.0 | 20.0 | 500 |
| 8 | 08HR-8M-P-N | 08HR-6S-P-N | 08HR-4K-P-N | 17.5 | 22.5 | 500 |
| 9 | 09HR-8M-P-N | 09HR-6S-P-N | 09HR-4K-P-N | 20.0 | 25.0 | 500 |
| 10 | 10HR-8M-P-N | 10HR-6S-P-N | 10HR-4K-P-N | 22.5 | 27.5 | 500 |
| 11 | 11HR-8M-P-N | 11HR-6S-P-N | 11HR-4K-P-N | 25.0 | 30.0 | 500 |
| 12 | 12HR-8M-P-N | 12HR-6S-P-N | 12HR-4K-P-N | 27.5 | 32.5 | 500 |
| 13 | 13HR-8M-P-N | 13HR-6S-P-N | 13HR-4K-P-N | 30.0 | 35.0 | 250 |
| 15 | — | *15HR-6S-P-N | *15HR-4K-P-N | 35.0 | 40.0 | 250 |

Material and Finish

Contact: coppe alloy, tin-plated (reflow treatment)
Housing: PA 66, UL94V-0

- Note: 1. Unlisted in TÜV.
2. Products marked with * are unlisted in UL/CSA.

Header

The headers are interchangeable with those of the EH and HR crimp style connectors.

Model number allocation

Socket

02 HR - 4 K - P - N

No. of circuits: 2 to 13, 15 (AWG #28: 2 to 13)

Series name

Applicable wire range:
4··AWG #24, 6··AWG #26, 8··AWG #28

Color: Normal color: AWG #28: M··Green
AWG #26: S··Natural (White)
AWG #24: K··Black

Others: R··Red, TR··Tomato red, Y··Yellow,
L··Lemon yellow, N··Brown,
E··Blue, O··Orange

Surface finish: P··Tin-plated (reflow treatment)

Supplementary symbol

Note: Depending on the colors, it may take some time for delivery.