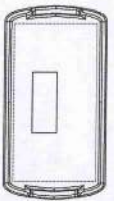


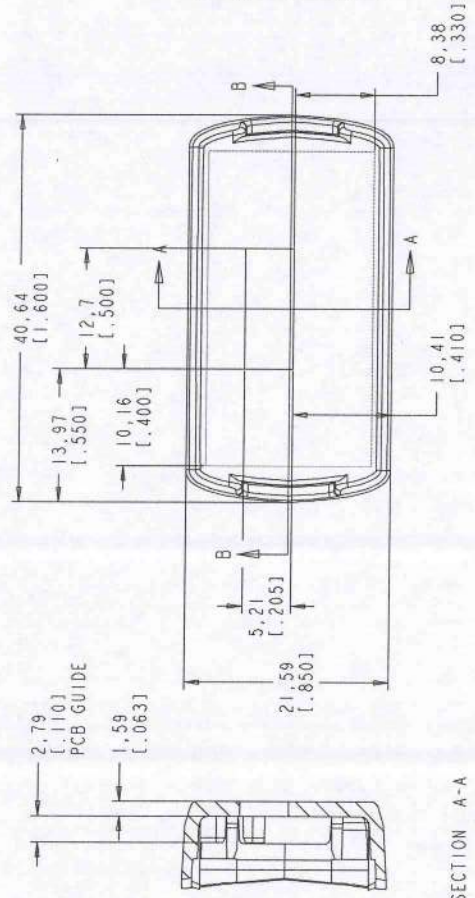
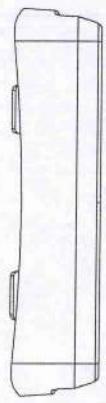
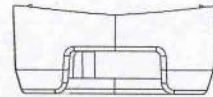
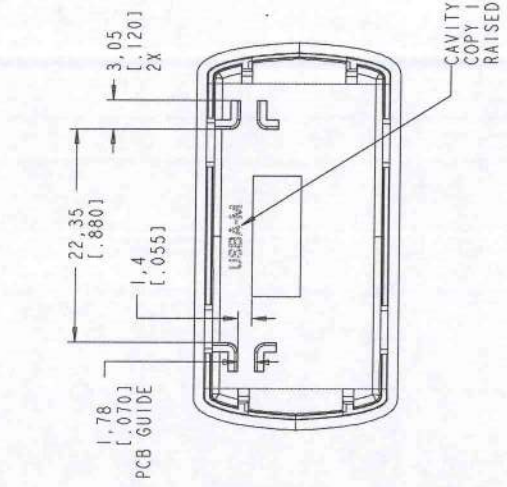
REVISIONS				
LET	ECN	DESCRIPTION	DATE	INT
01		INITIAL RELEASE	04-08-12	Janves
02		ADDED CAVITY ID	05-22-12	JMM



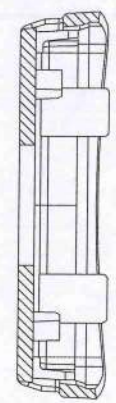
SCALE 1/1

NOTES:

- FOR LIST OF MATERIAL SEE:  
PL 115126-501, 115127-501
- UNLESS OTHERWISE SPECIFIED:  
CORNERS SHOWN SHARP HAVE  
A RADIUS OF .01.
- NO KNOCKOUTS, GATES OR FLASH  
ON THE EXTERIOR SURFACES.
- FLASH PERMISSIBLE WITHIN .005 INCH.
- KNOCKOUTS FLUSH TO .005 BELOW SURFACE.
- TEXTURE: EDM #33
- INTERIOR FINISH: SPI C3 OR BETTER
- FOR ALL OTHER DIMENSIONS,  
SEE DRAWING: 115119-01



SECTION A-A



SECTION B-B

**PACINTEC**  
 Subsidiary of LaFrance Corp.

One LaFrance way, Concordville, Pa. 19332-5002 U.S.A.

MOLD TOLERANCE: PRODUCT WILL BE PRODUCED PER SPI-SPC INSTITUTE PRODUCT STANDARDS AND TOLERANCES UNLESS OTHERWISE SPECIFIED DECIMALS: .XX ±.02 .XXX ±.010	NAME: <b>Janves</b> DRAWN: <b>Janves</b> CHECK: <b>Ted</b> APPROVE: <b>JMM</b>	DATE: <b>04-08-12</b> 04-08-12
MATERIAL: COLOR: SEE PARTS LIST CLASS:	INJ MOLDED PART # 115118-01	SCALE: 2:1 SHEET 1 OF 1

DRAWING NUMBER <b>115118-01</b>	REV <b>02</b>
------------------------------------	------------------