

THIS DRAWING IS UNPUBLISHED.

RELEASED FOR PUBLICATION

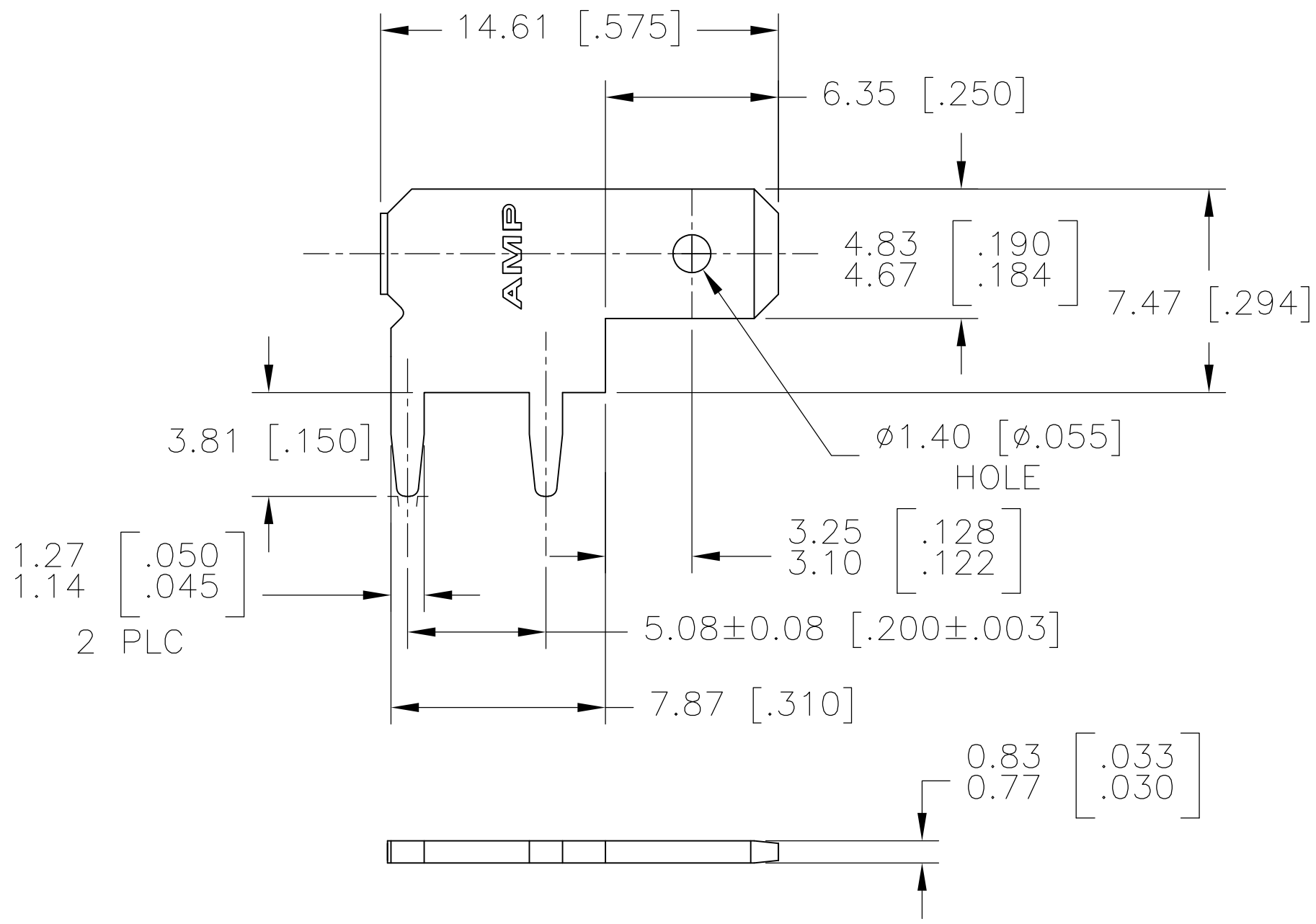
ALL RIGHTS RESERVED.

© COPYRIGHT - By -

LOC AF DIST 50

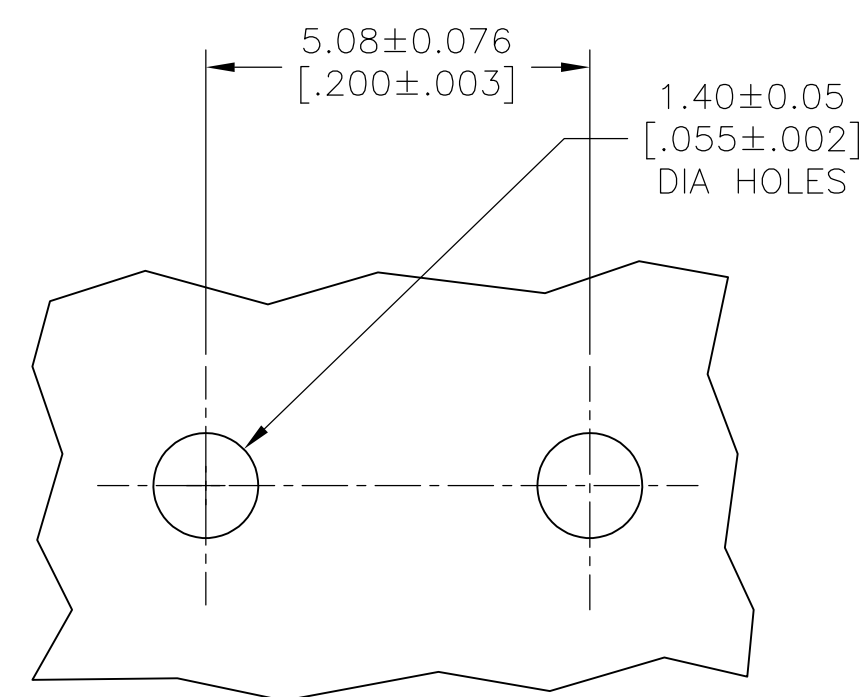
REVISIONS

P	LTR	DESCRIPTION	DATE	DWN	APVD
D		REVISED PER ECR-13-001204	02JUL13	KH	PD



1 SUPPLIED IN LOOSE PIECE AFTER PLATING.

2 0.00381 [.000150] MIN TIN OVER 0.00127 [.000050] MIN NICKEL.



P.C. BOARD HOLES

1217756-1
PART NO.

THIS DRAWING IS A CONTROLLED DOCUMENT.		DWN JR RUTH 13NOV01	TE Connectivity					
DIMENSIONS: mm [INCHES]		CHK N DEIBERT 13NOV01						
TOLERANCES UNLESS OTHERWISE SPECIFIED:		APVD N DEIBERT 13NOV01	NAME					
0 PLC ± - 1 PLC ± - 2 PLC ± 0.25 [.010] 3 PLC ± - 4 PLC ± - ANGLES ± -		PRODUCT SPEC -	TAB, FASTON, 4.75 [.187] SERIES					
MATERIAL BRASS		FINISH	APPLICATION SPEC 114-2115	SIZE A3	CAGE CODE 00779	DRAWING NO C-1217756	RESTRICTED TO -	
		2	WEIGHT -	CUSTOMER DRAWING		SCALE 5:1	SHEET 1 OF 1	REV D