



**SPECIFICATION  
FOR  
LCD MODULE**

**MODULE NO: AFK240320A0-2.4N6NTH  
REVISION NO: V01**

Customer's Approval:

--

	SIGNATURE	DATE
PREPARED BY (RD ENGINEER)		
CHECKED BY		
APPROVED BY		



# Contents

1	Introduction-----	4
2	General specification-----	5
3	Mechanical drawing-----	6
4	Absolute maximum ratings-----	7
5	Electrical characteristics-----	7
6	Optical characteristics -----	8
7	Pin Assignment -----	11
8	Timing characteristics -----	12
9	Block diagram -----	13
10	LCM quality criteria-----	14
11	Packing method-----	22

# 1. Introduction

## 1.1 Scope of application

This specification applies to the positive type TFT transmissive dot matrix LCD module that is supplied by OD. This LCD module should be designed for mobile phone use.

LCD specification: Dots 240xRGBx320.

As to basic specification of the driver IC, refer to the IC(ILI9341V ) specification and datasheet.

## 1.2 Structure:

Double display structure:

TFT Module + FPC + BL

FULL 262k Color 2.4 inch TFT LCD size for main LCD;

One bare chip with gold bump (COG) TECH;

18 BITS MCU parallel interface;

## 1.3 TFT features:

Structure: TFT PANNEL+IC+FPC+BL;

Transmissive Type LCD

240 dot-source and 320 dot-gate outputs;

262 Color can be selected by software;

White LED back light;

18 BITS MCU parallel interface;

## 1.4 Applications:

Mobile phone

PSP

PDA

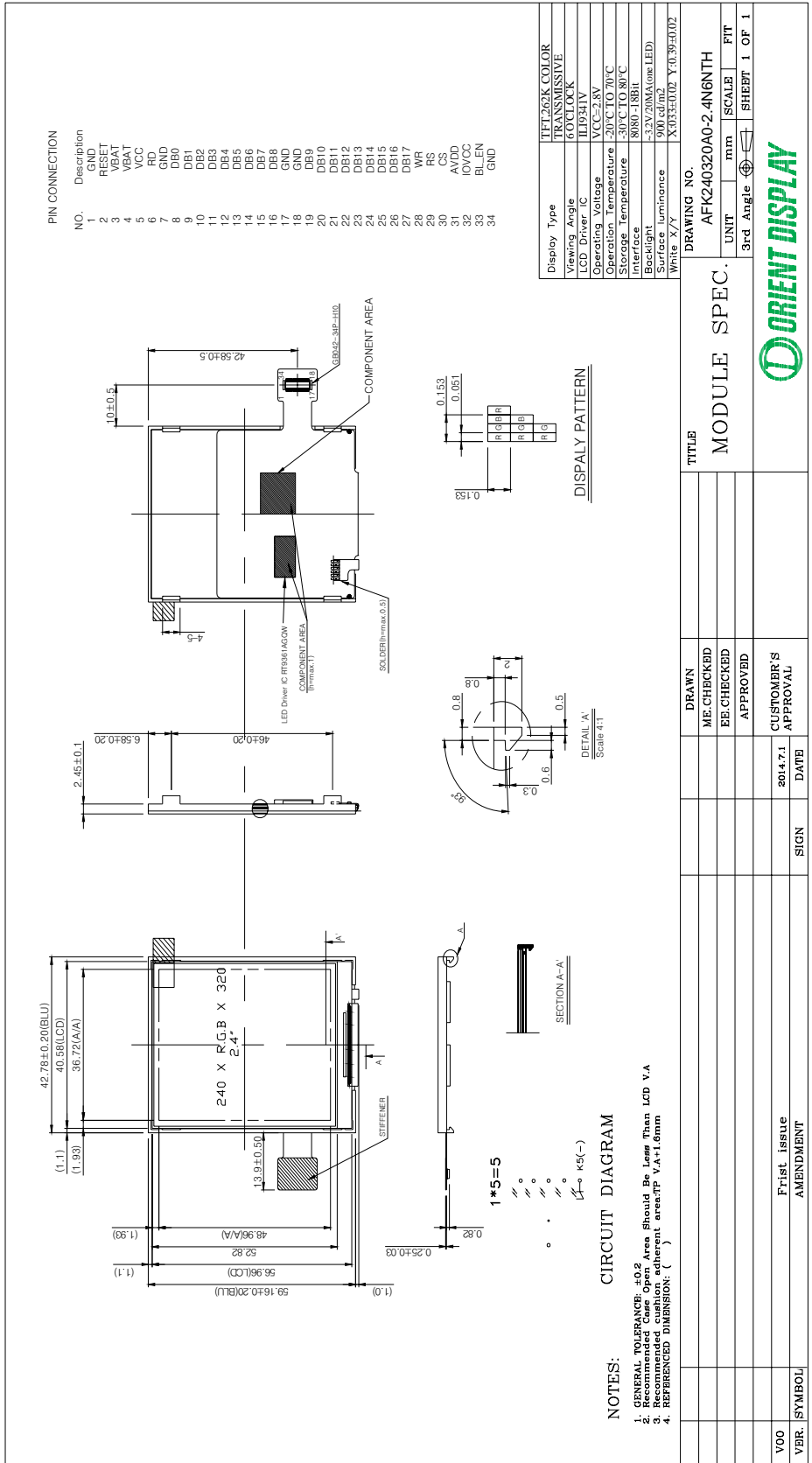
GPS

Etc...

## 2. General specification

ITEM	Standard value	UNIT
LCD Type	TFT Transmissive	---
Driver element	a-Si TFT Active matrix	
Number of Dots	240*(RGB)*320	Dots
Pixel Arrangement	RGB Vertical Stripe	
Active Area	36.72 *48.96	mm
Viewing Direction	6 0' clock	
Driver IC	ILI9341V	
Module Size(W*H*T)	42.78x59.16x2.45	mm
Approx. Weight	TBD	g
Back Light	White LED	
System interface	18 BITS MCU parallel interface	

### 3. Mechanical drawing



## 4. ABSOLUTE MAXIMUM RATINGS

Parameter	Symbol	Min	Max	Unit
Supply voltage for logic	IOVCC	-0.3	4.6	V
Input voltage for analog	VCC	-0.3	4.6	V
Supply current (One LED)	I <sub>LED</sub>		30	mA
Operating temperature	T <sub>OP</sub>	-20	+70	°C
Storage temperature	T <sub>ST</sub>	-30	+80	°C

Note: If the absolute maximum rating of even is one of the above parameters is exceeded even momentarily, the quality of the product may be degraded. Absolute maximum ratings, therefore, specify the values exceeding which the product may be physically damaged. Be sure to use the product within the range of the absolute maximum ratings.

## 5. ELECTRICAL CHARACTERISTICS

Item	Symbol	Min	Typ	Max	Unit	Applicable terminal
Supply voltage for logic	IOVCC	1.8	2.8	3.3	V	V <sub>DD</sub>
Input voltage for analog	VCC	2.5	2.8	3.3	v	
Input voltage	V <sub>IL</sub>	-0.3	-	0.3 IOV <sub>CC</sub>	V	
	V <sub>IH</sub>	0.7 IOV <sub>CC</sub>	-	IOV <sub>CC</sub>	V	
Input leakage current	I <sub>LKG</sub>				μA	
LED Forward voltage	V <sub>f</sub>	3.0	3.2	3.4	V	With One LED
Input backlight current	I <sub>LED</sub>	-	20	-	mA	With One LED

### BACKLIGHT DRIVING CONDITIONS

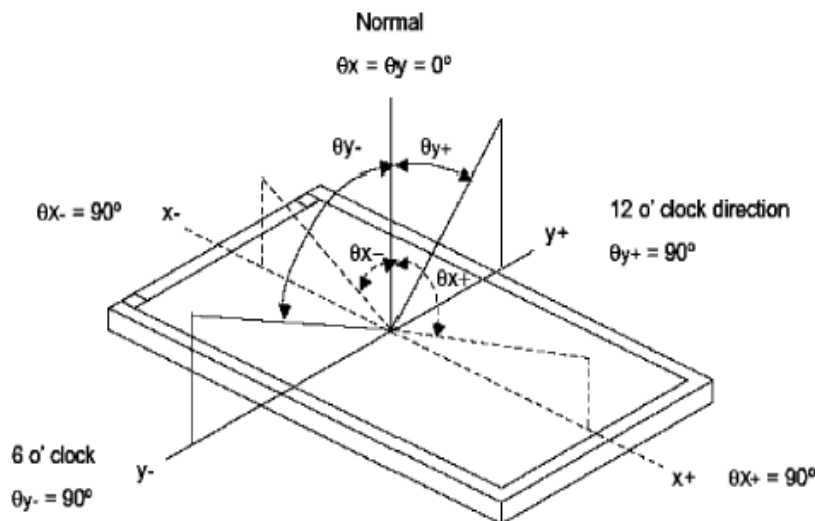
Item	Symbol	Values			Unit	Remark
		Min.	Typ.	Max.		
Voltage for LED backlight	V <sub>L</sub>	3.0	3.2	3.4	V	
Current for LED backlight	I <sub>L</sub>	--	100	--	mA	
LED life time	-	20,000	-	-	Hr	Note

Note : The “LED life time” is defined as the module brightness decrease to 50% original brightness at  $T_a=25^{\circ}\text{C}$  and  $I_L=100\text{mA}$ . The LED lifetime could be decreased if operating  $I_L$  is larger than 100 mA.

## 6. OPTICAL CHARACTERISTICS

ITEM	SYMBOL	CONDITIONS	SPECIFICATIONS			UNIT	NOTE	
			MIN.	TYP.	MAX			
Brightness	B	Viewing normal angle	850	900	1000	$\text{Cd}/\text{m}^2$	All left side data are based on HSD's product reference only	
Contrast Ratio	CR		400	500	--	--		
Response Time	$T_r+T_f$		--	8	16	ms		
CIE Color coordinate	Red		$X_R$	--	0.626			
			$Y_R$		0.334			
	Green		$X_G$	--	0.277			
			$Y_G$		0.549			
	Blue	$X_B$	--	0.142				
$Y_B$			0.122					
White	$X_W$	--	0.330					
	$Y_W$	-	0.390					
Viewing Angle	Hor.	$\ominus x+$	-	45	--	Deg.		
		$\ominus x-$	-	45	--			
	Ver.	$\ominus y+$	-	45	--			
		$\ominus y-$	-	20	--			
Uniformity	Un		80	85		%		

Note 1 : Definition of Viewing Angle  $\theta_x$  and  $\theta_y$  :

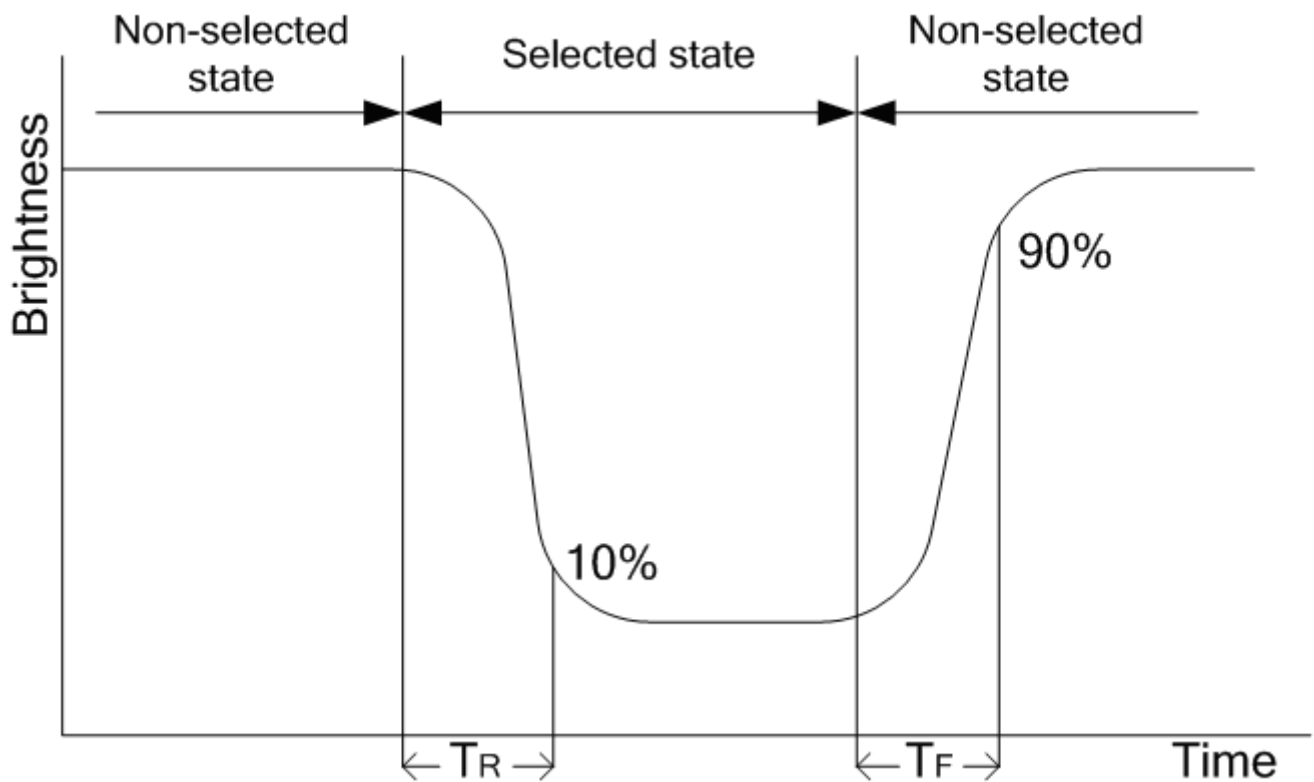




**Note 2: Definition of contrast ratio CR:**

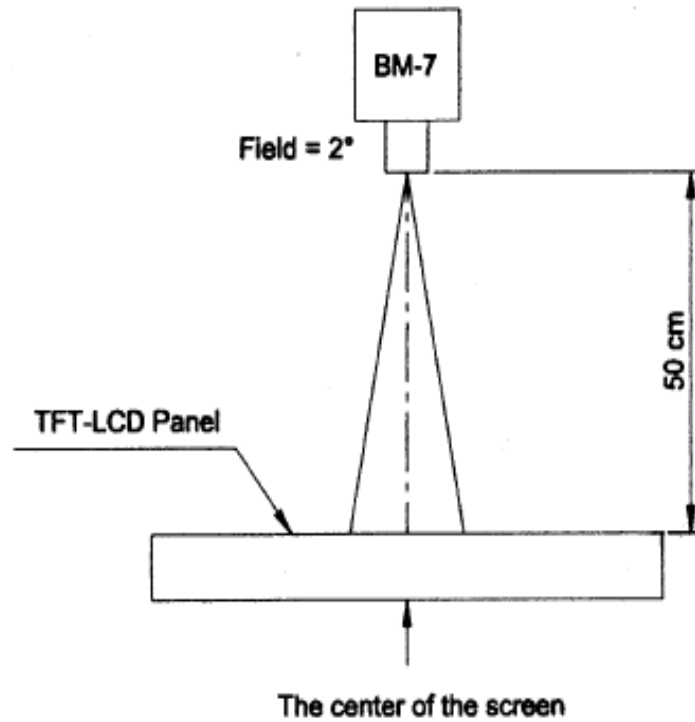
$$CR = \frac{\text{Brightness of non-selected dots (white)}}{\text{Brightness of selected dots (black)}}$$

**Note 3: Definition of response time ( $T_R$ ,  $T_F$ )**

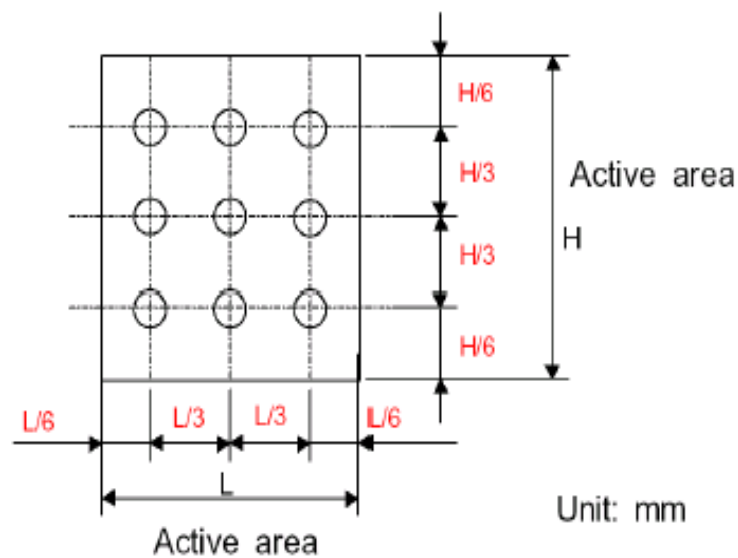


The brightness test equipment setup

20mA Field=2° (As measuring "black" image, field=2° is the best testing condition)



Note 4 :

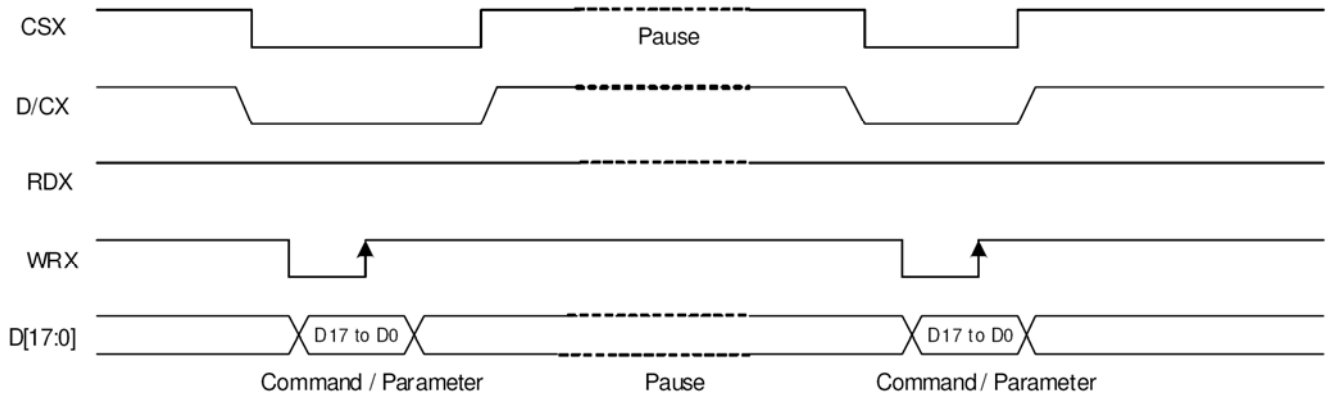


## 7. MCU Interface Pin Function

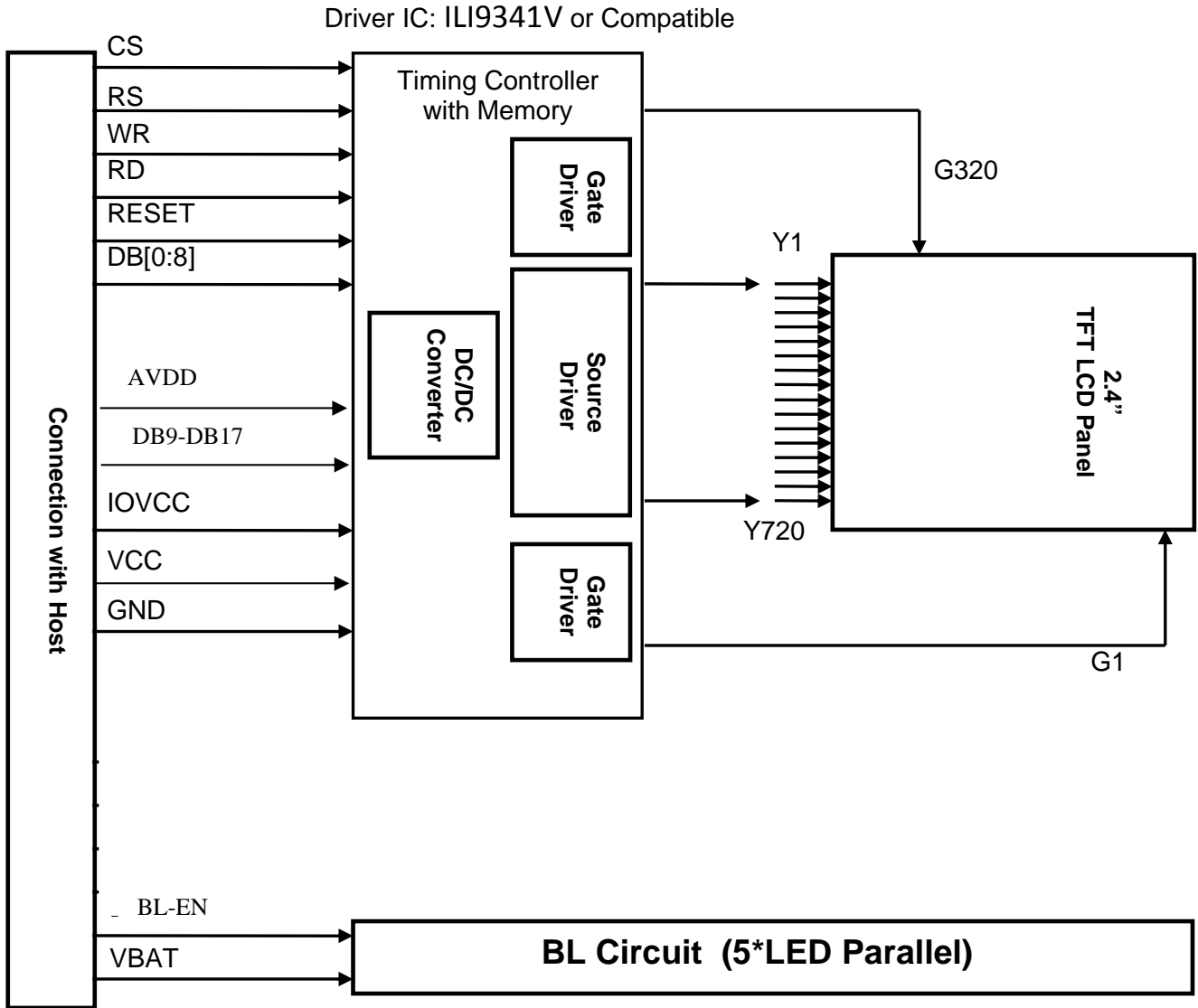
PIN NO.	SYMBOL	DESCRIPTION
1	GND	Power ground
2	RESET	Reset signal
3	VBAT	Backlight power input (3.3V)
4	VBAT	Backlight power input (3.3V)
5	VCC	Power supply (2.8V)
6	RD	Read signal input
7	GND	Power ground
8	DB0	Data bus
9	DB1	Data bus
10	DB2	Data bus
11	DB3	Data bus
12	DB4	Data bus
13	DB5	Data bus
14	DB6	Data bus
15	DB7	Data bus
16	DB8	Data bus
17	GND	Power ground
18	GND	Power ground
19	DB9	Data bus
20	DB10	Data bus
21	DB11	Data bus
22	DB12	Data bus
23	DB13	Data bus
24	DB14	Data bus
25	DB15	Data bus
26	DB16	Data bus
27	DB17	Data bus
28	WR	Write signal input
29	RS	Data or command select
30	CS	Chip select
31	AVDD	Power supply (2.8V)
32	IOVCC	Power supply for digital signal (1.8~2.8V)
33	BL_EN	Backlight power enable
34	GND	Power ground

## 8. Timing characteristics

### Parallel interface pause



## 9. BLOCK DIAGRAM



# 10. LCM Quality Criteria

## 10.1 VISUAL & FUNCTION INSPECTION STANDARD

### 10.1.1 Inspection conditions

Inspection performed under the following conditions is recommended.

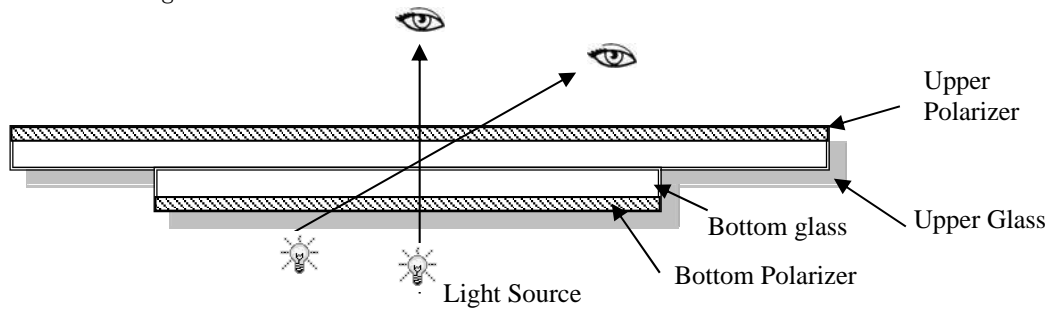
Temperature :  $25 \pm 5^\circ\text{C}$

Humidity :  $65\% \pm 10\%RH$

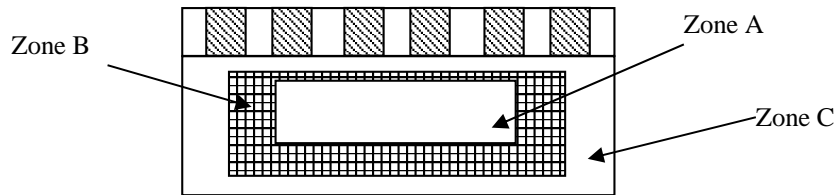
Viewing Angle : Normal viewing Angle.

Illumination: Single fluorescent lamp (300 to 700Lux)

Viewing distance:30-50cm



### 10.1.2 Definition



Zone A : Effective Viewing Area(Character or Digit can be seen)

Zone B : Viewing Area except Zone A

Zone C : Outside (Zone A+Zone B) which can not be seen after assembly by customer .)

Note:

As a general rule ,visual defects in Zone C can be ignored when it doesn' t effect product function

or appearance after assembly by customer.

### 10.1.3 Sampling Plan

According to GB/T 2828-2003 ; , normal inspection, Class II

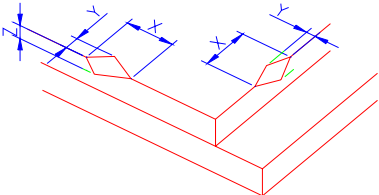
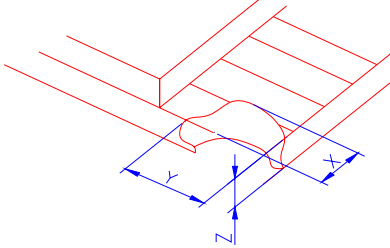
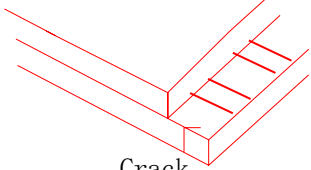
AQL:

Major defect	Minor defect
0.65	1.5

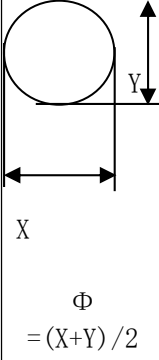
LCD: Liquid Crystal Display , TP: Touch Panel , LCM: Liquid Crystal Module


No	Items to be inspected	Criteria	Classification of defects
1	Functional defects	1) No display, Open or miss line 2) Display abnormally, Short 3) Backlight no lighting, abnormal lighting. 4) TP no function	Major
2	Missing	Missing component	
3	Outline dimension	Overall outline dimension beyond the drawing is not allowed	
4	Color tone	Color unevenness, refer to limited sample	Minor
5	Soldering appearance	Good soldering , Peeling off is not allowed.	
6	LCD/Polarizer/TP	Black/White spot/line, scratch, crack, etc.	

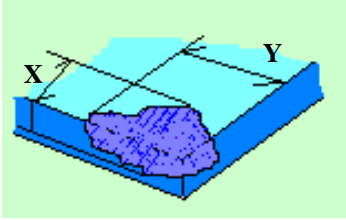
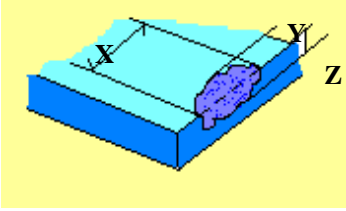
### 10.1.4 Criteria (Visual)

Number	Items	Criteria(mm)						
1.0 LCD Crack/Broken  NOTE: X: Length Y: Width Z: Height L: Length of ITO, T: Height of LCD	(1) The edge of LCD broken	 <table border="1" data-bbox="847 600 1390 757"> <thead> <tr> <th>X</th> <th>Y</th> <th>Z</th> </tr> </thead> <tbody> <tr> <td><math>\leq 3.0\text{mm}</math></td> <td>&lt;Inner border line of the seal</td> <td><math>\leq T</math></td> </tr> </tbody> </table>	X	Y	Z	$\leq 3.0\text{mm}$	<Inner border line of the seal	$\leq T$
X	Y	Z						
$\leq 3.0\text{mm}$	<Inner border line of the seal	$\leq T$						
	(2) LCD corner broken	 <table border="1" data-bbox="906 1048 1329 1126"> <thead> <tr> <th>X</th> <th>Y</th> <th>Z</th> </tr> </thead> <tbody> <tr> <td><math>\leq 3.0\text{mm}</math></td> <td><math>\leq L</math></td> <td><math>\leq T</math></td> </tr> </tbody> </table>	X	Y	Z	$\leq 3.0\text{mm}$	$\leq L$	$\leq T$
X	Y	Z						
$\leq 3.0\text{mm}$	$\leq L$	$\leq T$						
	(3) LCD crack	 <p style="text-align: center;">Crack Not allowed</p>						



Number	Items	Criteria (mm)				
2.0	Spot defect  $\Phi = (X+Y)/2$	① light dot (LCD/TP/Polarizer black/white spot , light dot, pinhole, dent, stain)				
		Zone		Acceptable Qty		
		Size (mm)	A	B	C	
		$\Phi \leq 0.10$	Ignore			Ignore
		$0.10 < \Phi \leq 0.15$	3 ( distance $\geq 10\text{mm}$ )			
		$0.15 < \Phi \leq 0.2$	1			
		$0.2 < \Phi$	0			
		② Dim spot (LCD/TP/Polarizer dim dot, light leakage, dark spot)				
		Zone		Acceptable Qty		
		Size (mm)	A	B	C	
		$\Phi \leq 0.1$	Ignore			Ignore
		$0.1 < \Phi \leq 0.2$	2 ( distance $\geq 10\text{mm}$ )			
		$0.2 < \Phi \leq 0.3$	1			
		$\Phi > 0.3$	0			
		③ Polarizer accidented spot				
Zone		Acceptable Qty				
Size (mm)	A	B	C			
$\Phi \leq 0.2$	Ignore			Ignore		
$0.2 < \Phi \leq 0.5$	2 ( distance $\geq 10\text{mm}$ )					
$\Phi > 0.5$	0					
Line defect (LCD/TP /Polarizer black/white line, scratch, stain)	Width (mm)		Length (mm)		Acceptable Qty	
			A	B	C	
	$\Phi \leq 0.03$		Ignore		Ignore	
	$0.03 < W \leq 0.05$		$L \leq 3.0$		$N \leq 2$	
	$0.05 < W \leq 0.08$		$L \leq 2.0$		$N \leq 2$	
$0.08 < W$		Define as spot defect				

3.0	Polarizer Bubble	<table border="1"> <tr> <th rowspan="2">Zone Size (mm)</th> <th colspan="3">Acceptable Qty</th> </tr> <tr> <th>A</th> <th>B</th> <th>C</th> </tr> <tr> <td><math>\Phi \leq 0.2</math></td> <td colspan="3">Ignore</td> </tr> <tr> <td><math>0.2 &lt; \Phi \leq 0.4</math></td> <td colspan="3">2 (distance <math>\geq 10\text{mm}</math>)</td> </tr> <tr> <td><math>0.4 &lt; \Phi \leq 0.6</math></td> <td colspan="3">1</td> </tr> <tr> <td><math>0.6 &lt; \Phi</math></td> <td colspan="3">0</td> </tr> </table>		Zone Size (mm)	Acceptable Qty			A	B	C	$\Phi \leq 0.2$	Ignore			$0.2 < \Phi \leq 0.4$	2 (distance $\geq 10\text{mm}$ )			$0.4 < \Phi \leq 0.6$	1			$0.6 < \Phi$	0				
		Zone Size (mm)	Acceptable Qty																									
			A	B	C																							
		$\Phi \leq 0.2$	Ignore																									
		$0.2 < \Phi \leq 0.4$	2 (distance $\geq 10\text{mm}$ )																									
$0.4 < \Phi \leq 0.6$	1																											
$0.6 < \Phi$	0																											
4.0	SMT	According to IPC-A-610C class II standard . Function defect and missing part are major defect , the others are minor defect.																										
5.0	TP Related	TP bubble/ accidented spot	<table border="1"> <tr> <th rowspan="2">Size <math>\Phi</math> (mm)</th> <th colspan="3">Acceptable Qty</th> </tr> <tr> <th>A</th> <th>B</th> <th>C</th> </tr> <tr> <td><math>\Phi \leq 0.1</math></td> <td colspan="3">Ignore</td> </tr> <tr> <td><math>0.1 &lt; \Phi \leq 0.2</math></td> <td colspan="3">2 (distance <math>\geq</math></td> </tr> <tr> <td><math>0.2 &lt; \Phi \leq 0.3</math></td> <td colspan="3">1</td> </tr> <tr> <td><math>0.3 &lt; \Phi</math></td> <td colspan="3">0</td> </tr> </table>			Size $\Phi$ (mm)	Acceptable Qty			A	B	C	$\Phi \leq 0.1$	Ignore			$0.1 < \Phi \leq 0.2$	2 (distance $\geq$			$0.2 < \Phi \leq 0.3$	1			$0.3 < \Phi$	0		
			Size $\Phi$ (mm)	Acceptable Qty																								
				A	B	C																						
			$\Phi \leq 0.1$	Ignore																								
$0.1 < \Phi \leq 0.2$	2 (distance $\geq$																											
$0.2 < \Phi \leq 0.3$	1																											
$0.3 < \Phi$	0																											
Assembly deflection	beyond the edge of backlight $\leq 0.15\text{mm}$																											
Newton Ring	<p>Newton Ring area <math>&gt; 1/3</math> TP area NG</p> <p>Newton Ring area <math>\leq 1/3</math> TP area OK</p>																											

	TP corner broken X: length Y: width Z: height	<table border="1"> <tr> <td>X</td> <td>Y</td> <td>Z</td> </tr> <tr> <td><math>X \leq 3.0\text{mm}</math></td> <td><math>Y \leq 3.0\text{mm}</math></td> <td><math>Z &lt; \text{LCD thickness}</math></td> </tr> </table>	X	Y	Z	$X \leq 3.0\text{mm}$	$Y \leq 3.0\text{mm}$	$Z < \text{LCD thickness}$	
		X	Y	Z					
$X \leq 3.0\text{mm}$	$Y \leq 3.0\text{mm}$	$Z < \text{LCD thickness}$							
* Circuitry broken is not allowed.									
	TP edge broken X: length Y: width Z: height	<table border="1"> <tr> <td>X</td> <td>Y</td> <td>Z</td> </tr> <tr> <td><math>X \leq 6.0\text{mm}</math></td> <td><math>Y \leq 2.0\text{mm}</math></td> <td><math>Z &lt; \text{LCD thickness}</math></td> </tr> </table>	X	Y	Z	$X \leq 6.0\text{mm}$	$Y \leq 2.0\text{mm}$	$Z < \text{LCD thickness}$	
		X	Y	Z					
$X \leq 6.0\text{mm}$	$Y \leq 2.0\text{mm}$	$Z < \text{LCD thickness}$							
* Circuitry broken is not allowed.									

Criteria ( functional items)

Number	Items	Criteria (mm)
1	No display	Not allowed
2	Missing segment	Not allowed
3	Short	Not allowed
4	Backlight no lighting	Not allowed
5	TP no function	Not allowed

## 10.2 RELIABILITY TEST

NO	ITEM	CONDITTON	STANDARD
1	High Temp. Storage	80°C, 96 hours	1. Functional test is OK. Missing Segment, short, unclear segment, non-display, display abnormally and liquid crystal leak are un-allowed. 2. No low temperature bubbles, end seal loose and fall, frame rainbow.
2	Low Temp. Storage	-30°C, 96 hours	
3	High Temp. Operation	60°C, 12 hours, power on	
4	Low Temp. Operation	-20°C, 12 hours, power on	
5	High temperature and high Humidity storage	45°C, 95%RH , 72 hours, power on	
6	Thermal and cold shock	-40°C/85°C, soak 1hour 24cycles, 48hours, power off	
7	Vibration test	Packaging, Frequency : 10-55Hz Amplitude : 1.0mm, Each direction on X,Y axe 0.5 houre, circle 2 hours	1. Function test is OK. 2. No glass crack, chipped glass, end seal loose and fall.

8	Temp. Cycling	+70°C (4hr) ~ (2hr) ~ 30°C (4) 9cycles, Power on , 72hr	
9	Dropping test	Pack products into the carton box. Drop it from 120cm height to ground. Once for each side of the carton	

**NOTE:**

- 10.2.1 The reliability items will be fully performed in new sample qualification,
- 10.2.2 The reliability status will be tested as monitor during mass production. Individual reliability test shall be performed by lot , Moreover, the individual reliability item shall be decided according to reliability plan.
- 10.2.3 All samples are inspected after keeping in the room with normal temperature and humidity for 2 hours or above.
- 10.2.4 Vibration test: It is not necessary to test for those products without assembly frame , back light ,PCB and so on.
- 10.2.5 Dropping test : It is necessary for affirming new package.
- 10.2.6 For the high temperature and high humidity test, pure water of over 10 MΩ.cm should be used.
- 10.2.7 Each test item applies for test LCM only once .Then tested LCM cannot be used again in any other test item.
- 10.2.8 The quantity of LCM examination for each test item is 5pcs to 10pcs.

**10.3 Safety instructions**

- 10.3.1 If the LCD panel breaks, be careful not to get any liquid crystal substance in your mouth.
- 10.3.2 If the liquid crystal substance touches your skin or clothes, please wash it off immediately by using soap and water.

**10.4 Handling Precautions**

- 10.4.1 Avoid static electricity damaging the LSI.
- 10.4.2 Do not remove the panel or frame from the module .
- 10.4.3 The polarizing plate of the display is very fragile . So, please handle it very carefully.
- 10.4.4 Do not wipe the polarizing plate with a dry cloth, as it may easily scratch the surface of the plate.
- 10.4.5 The color tone of display and background of LCM has the possibility to be changed in the storage temperature range.
- 10.4.6 Pay attention to the working environment, as the element may be destroyed by static electricity.
  - Be sure to ground human body and electric appliance during work.
  - Avoid working in a dry environment to minimize the generations of static electricity.
  - Static electricity may be generated when the protective film is fast peeled off.
- 10.4.7 When soldering the terminal of LCM, make certain the AC power source of soldering iron does not leak.

10.4.8 If the display surface becomes contaminated ,breathe on the surface and gently wipe it with a soft-dry- clean cloth .If it is heavily contaminated ,moisten cloth with the following solvent(ex:Ethyl alcohol).Solvents other than those above-mentioned may damage the polarizer(Especially ,do not use them .ex: Warter / Ketone)

## 10.5 Operation instructions

- 10.5.1 It is recommended to drive the LCD within the specified voltage limits, try to adjust the operating voltage for the optimal contrast, the color and contrast of LCD panel will varies at different temperature.
- 10.5.2 Response time is greatly delayed at low operating temperature range. However, this does not mean the LCD will be out of the order, It will recover when it returns to the specified temperature range.
- 10.5.3 If the display area is pushed hard during operation, the display will become abnormal.
- 10.5.4 Do not operate the LCD at the environments over the specified conditions, this may cause damage on the LCD and shorten the lifetime.

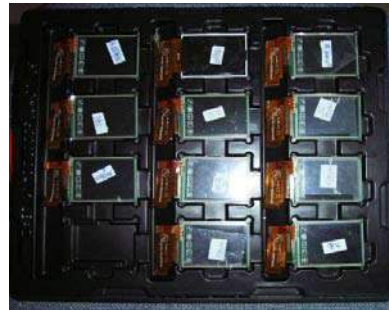
## 10.6 Storage instructions:

- 10.6.1 Store LCDs in a sealed polyethylene bag.
- 10.6.2 Store LCDs in a dark place, Do not expose to sunlight or fluorescent light. Keep the temperature between 0°Cand 35°C.
- 10.6.3 Avoid the polarizer touch any other object, ( It is recommended to store them in the container in which they were shipped.)

## 10.7 Limited Warranty

- 10.7.1 will replace or repair any of its LCD modules, which are found to be defective, when inspected in accordance with LCM acceptance standards ( copies available upon request ) for a period of 12 months from ink- print date on product
- 10.7.2 Any defects must be returned to within 60 days since ship-out. Confirmation of such date shall be based on freight documents. The warranty liability of wasam limited to repair and/or replacement on defects above (7.1,7.2)
- 10.7.3 No warranty can be granted if the precautions stated above have been disregarded. The typical samples are as below:
  - LCD glass crack/break
  - PCB outlet is damaged or modified.
  - PCB conductors damaged.
  - Circuit modified with by grinding, engraving or painting varnish.
  - FPC crack

10.7.4 Modules must be returned with sufficient description of the failures or defects. Any connectors or cable installed by the customer must be removed completely without damaging the PCB outlet, conductors and terminals. Modules must be packed with the container in which they were shipped.



## 11. Packing method

-----TBD