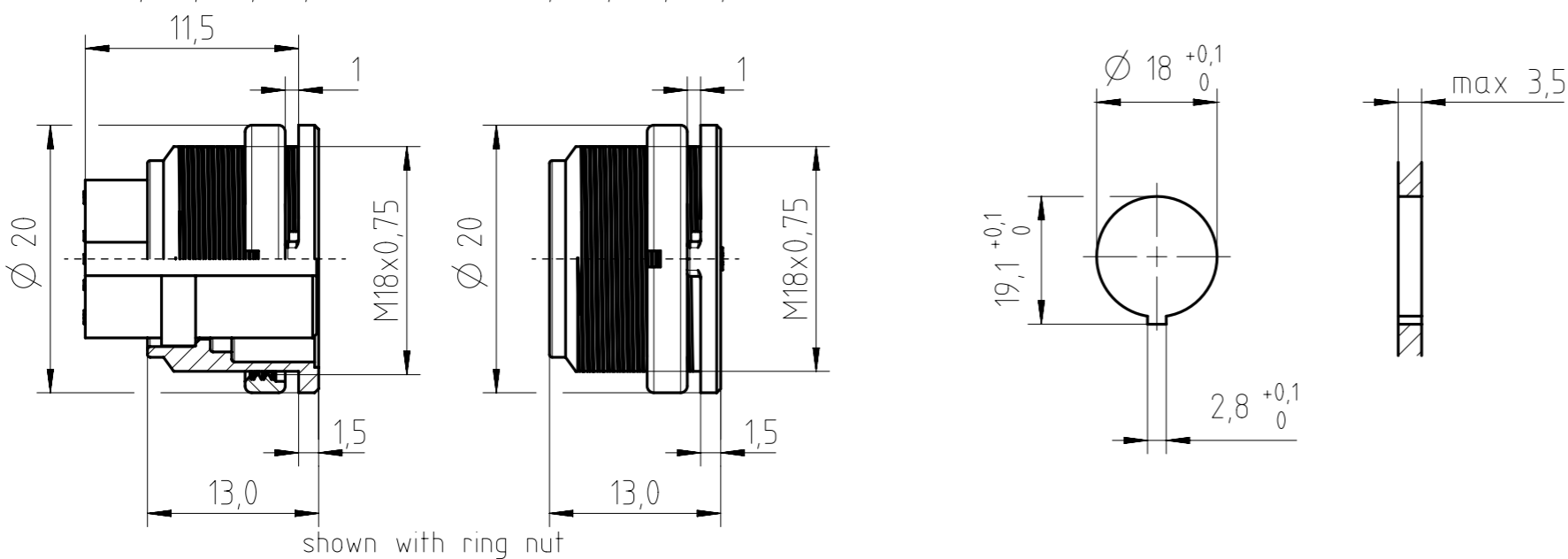


Valid for contact arrangement: 05b, 07b, 08a, 12a, 14a  
Valid for contact arrangement: 03a, 04a, 05a, 06a, 07a

Panel cutout M 1:1



Number of contacts	Standard	3	4	5	5S	6	7	7	8	12	14	
Contact arrangement	DIN EN 61076-2-106	03-a	04-a	05-a	05-b	06-a	07-a	07-b	08-a	12-a	14-a	
Contact arrangement	IEC 60130-9 <sup>1)</sup>			-								
Rated voltage <sup>2)</sup>	IEC 60664-1	300 V (100 V)	300 V (63 V)	100 V (32 V)	300 V (63 V)	100 V (32 V)	150 V (32 V)					
Rated voltage	UL 1977	250 V						60 V				
Rated impulse withstand voltage <sup>2)</sup>	IEC 60664-1	1500 V (840 V)	1200 V (500 V)	1500 V (840 V)	1200 V (500 V)							
Pollution degree <sup>2)</sup>	IEC 60664-1	1 (2)										
Installation category	IEC 60664-1	I										
Insulation group	IEC 60664-1	II, 400 ≤ CTI < 600										
Current rating	IEC 60512-5-2 UL 1977	10A/+40°C	7A/+40°C/+104°F						3A/+40°C/+104°F			
Insulation resistance	IEC 60512-3-1	>10 <sup>10</sup> Ohm <sup>3)</sup>										
Contact resistance	IEC 60512-2-1	<5m Ohm										
Climatic category	IEC 60668-1	40 / 100 / 56										
Temperatur range	IEC 60668-1	-40°C...+100°C / -40°F...+212°F										
IP degree	IEC 60529	IP 40										
Insertion and withdrawal force	IEC 60512-13-2	25N	30N	35N	50N	55N	60N	50N				
Mechanical operation	IEC 60512-9-1	silver ≥500 mating cycles gold ≥1000 mating cycles										
Housing material		brass or zinc die cast nickel plated or thermoplast										
Dielectric material		thermoplastic										
Contacts		silver or gold plated, please order contacts separately acc. to drawing M-N 02 015 00XX X (3-8pol) or M-N 02 010 0157 X U (12-14pol)										
Termination technique		crimp										
Wire gauge		2-6 pol (exclusive 5S): 0,09-1,0mm <sup>2</sup> / 28-18 AWG						0,09-0,25mm <sup>2</sup> / 28-24 AWG				
Flamability		UL 94 V0										
locking system	IEC 60130-9 DIN EN 61076-2-106	metal screw coupling; tightening torque 1,0Nm										

<sup>1)</sup> Edition 2000-05  
<sup>2)</sup> values in brackets are according to DIN EN 61076-2-106  
<sup>3)</sup> under operating conditions >10<sup>8</sup> Ohm

All technical data have been measured in a laboratory environment and can be different during practical usage of the product. Any product information is for descriptive usage only and not legally binding; particularly the information does not constitute or provide any legal guaranties. Do not connect or disconnect under load. Metal housing parts shall be securely incorporated to protected ground. Parts according to directive 2002/95/EG (RoHS).

	14 (14-a)	T 3653 550 U	T 3653 559 U
	12 (12-a)	T 3638 550 U	T 3638 559 U
	8 (08-a)	T 3507 550 U	T 3507 559 U
	7 (07-b)	T 3487 550 U	T 3487 559 U
	7 (07-a)	T 3478 550 U	T 3478 559 U
	6 (06-a)	T 3403 550 U	T 3403 559 U
	5 (05-b)	T 3359 550 U	T 3359 559 U
	5 (05-a)	T 3363 550 U	T 3363 559 U
	4 (04-a)	T 3303 550 U	T 3303 559 U
	3 (03-a)	T 3263 550 U	T 3263 559 U
Contact arrangement View on mating side	Number of contacts	type-number-crimp with ring nut	type-number-crimp with hex nut SW20
dimension of nut			

Gewicht (errechnet) / Calc WT:		Zul. Abw./Tolerances:		Maßstab / Scale: 2:1;1:1		A3	
Prüfmaß / Testdimension		ISO 2768-c		DIN / ISO 13715		CUSTOMER DRAWING	
Teileindex / Partindexnumber:		Bagatelle change:		Gez. 28.04.2020		Gerätedose	
				Drawn MCARLE		female receptacle	
				Status Released			
				Gepr. 30.04.2020			
				Checked MGRIMM			
				<b>Amphenol Tuchel Industrial GmbH</b>		Blatt / Sheet 1	
01	202000001	30.04.2020	MCARLE	M NA T 3XXX 55X U		1 Bl.	
Index	Änderung / Description	Datum / Date	Name	Ers. f. / Replacement for: M-NA T 3XXX 550 Rev02		NXM-V01	

Copying of this document and giving it to others and the use or communication of the contents thereof, are forbidden without express authority. Offenders are liable to the payment of damages. All rights are reserved in the event of the grant of a patent or the registration of the utility model or design.

FAI/2020-001467