



soberton inc.

SP DYNAMIC SPEAKER UNIT

Acoustic Product Specification

Product Number: SP-2618L



Release | Revision: B/2018

CONTENTS

This document contains the technical specifications for the dynamic speaker unit.

Page 1

Speaker Electroacoustic Characteristics

General Specifications

Page 2

Reliability Tests

Page 3

Measuring Method (Speaker Mode)

Standard Test Condition of Speakers

Page 4

Frequency Response Curve

Page 5

Dimensions

Page 6

Packing

Dynamic Speaker Electroacoustic Characteristics

Sound Pressure Level

88±3dB SPL@2KHz 0.1W (Sine wave) 0.1M measured with baffle
Test set up: Measuring conditions and procedures shown in Figure.1

Frequency Response Curve

As shown in Figure 2

Frequency Range

F0 Hz ~ 6KHz

Response Frequency

700±20%Hz @ 1V (Without Baffle)

Input Power (Nominal and Maximum)

Rated Noise Power 0.7W
Short Term Max Power: 1.2W must be normal at a white noise (F0 ~ 20KHz) for one minute

Operation Test

Must be free audible noise (buzzes and rattles)
(F0 ~ 3400Hz frequency range ,input level up to 2.37Vrms)

Total Harmonic Distortion

Less than 10% @1KHz, 10cm, 0.1W

Polarity

When a positive D.C current is applied to terminal marked (+) diaphragm shall move forward.

General Specifications

Operating Temperature Range

-25°C~+65°C

Storage Temperature Range

-40°C~+75°C

Standard Test Conditions

Temperature 17°C ~ 25°C
Relative Humidity 45% ~ 80% (RH)

AC Impedance

8±15%Ω(@2KHz 1V) without baffle.

Dimension

26.0 x 18.0 x H4.3mm WIRE 50mm (UL1571 / AWG32#)

IP Level

IP50



soberton inc.

SP DYNAMIC SPEAKER UNIT

Acoustic Product Specification

Product Number: SP-2618L



Release | Revision: B/2018

CONTENTS

This document contains the technical specifications for the dynamic speaker unit.

Page 1

Speaker Electroacoustic Characteristics

General Specifications

Page 2

Reliability Tests

Page 3

Measuring Method (Speaker Mode)

Standard Test Condition of Speakers

Page 4

Frequency Response Curve

Page 5

Dimensions

Page 6

Packing

Reliability Tests

Sound pressure level of speaker difference shall be within $\pm 3\text{dB}$ after test @0.8, 1.0, 1.2 and 1.5KHz Average.

High Temperature Test

High Temperature $+65\pm 3^\circ\text{C}$

Duration 96 hours

Low Temperature Test

Low Temperature $-20\pm 3^\circ\text{C}$

Duration 96 hours

Heat Shock Test

High temperature $+75\pm 2^\circ\text{C}$

Low temperature $-40\pm 2^\circ\text{C}$

Changeover time <30 seconds

Duration: 1 hour

Cycle 10

Humidity Test

Temperature $+40\pm 2^\circ\text{C}$

Relative Humidity 90%~95%

Duration 96 hours

Temperature Cycle Test

Temperature -40°C $+75^\circ\text{C}$

Duration 45 minutes 45 minutes

Temperature gradient $1 \sim 3^\circ\text{C}/\text{min}$

Cycle 10

Drop Test

Mounted with dummy set mass 100g

Height 1.5 m

Cycle 6 (1 each plain) onto the concrete board

Load Test

Speaker mode: White noise (EIA filter) for 96 hours @ 0.7W input power



soberton inc.

SP DYNAMIC SPEAKER UNIT

Acoustic Product Specification

Product Number: SP-2618L



Release | Revision: B/2018

CONTENTS

This document contains the technical specifications for the dynamic speaker unit.

Page 1
Speaker Electroacoustic Characteristics

General Specifications

Page 2
Reliability Tests

Page 3
Measuring Method (Speaker Mode)

Standard Test Condition of Speakers

Page 4
Frequency Response Curve

Page 5
Dimensions

Page 6
Packing

Measuring Method (Speaker Mode)

Standard Test Condition

Temperature 15 ~ 25°C

Relative humidity 45% ~ 85%

Atmospheric pressure 86KPa ~ 106KPa

Standard Test Fixture

Input Power 0.1W

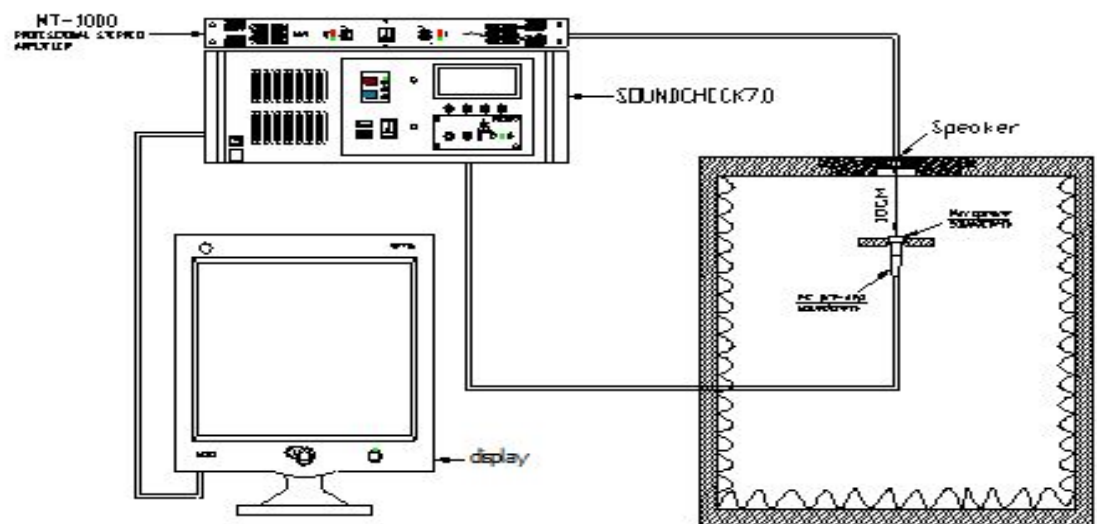
Zero Level -dB

Mode TSR

Potentiometer Range 50dB

Sweep Time 0.5sec

Standard Test Condition of Speaker (Fig. 1)





soberton inc.

SP DYNAMIC SPEAKER UNIT

Acoustic Product Specification

Product Number: SP-2618L



Release | Revision: B/2018

CONTENTS

This document contains the technical specifications for the dynamic speaker unit.

Page 1

Speaker Electroacoustic Characteristics

General Specifications

Page 2

Reliability Tests

Page 3

Measuring Method (Speaker Mode)

Standard Test Condition of Speakers

Page 4

Frequency Response Curve

Page 5

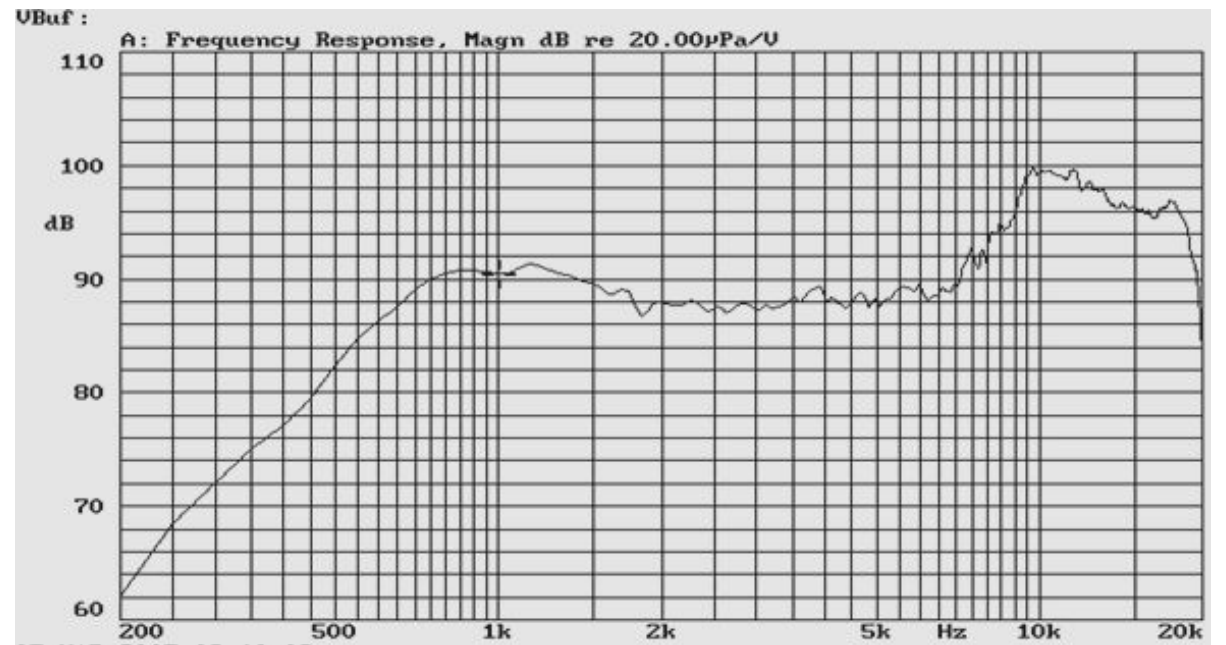
Dimensions

Page 6

Packing

Frequency Response Curve (Fig. 2)

0.1W/10cm, in free air





soberton inc.

SP DYNAMIC SPEAKER UNIT

Acoustic Product Specification

Product Number: SP-2618L



Release | Revision: B/2018

CONTENTS

This document contains the technical specifications for the dynamic speaker unit.

Page 1

Speaker Electroacoustic Characteristics

General Specifications

Page 2

Reliability Tests

Page 3

Measuring Method (Speaker Mode)

Standard Test Condition of Speakers

Page 4

Frequency Response Curve

Page 5

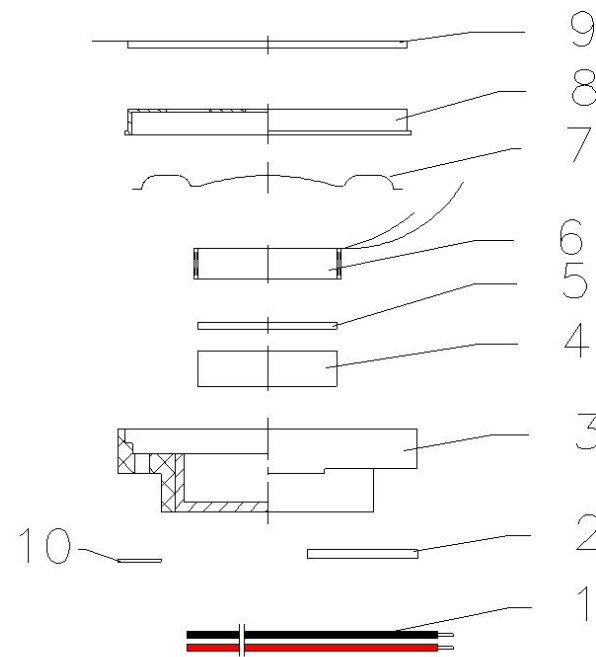
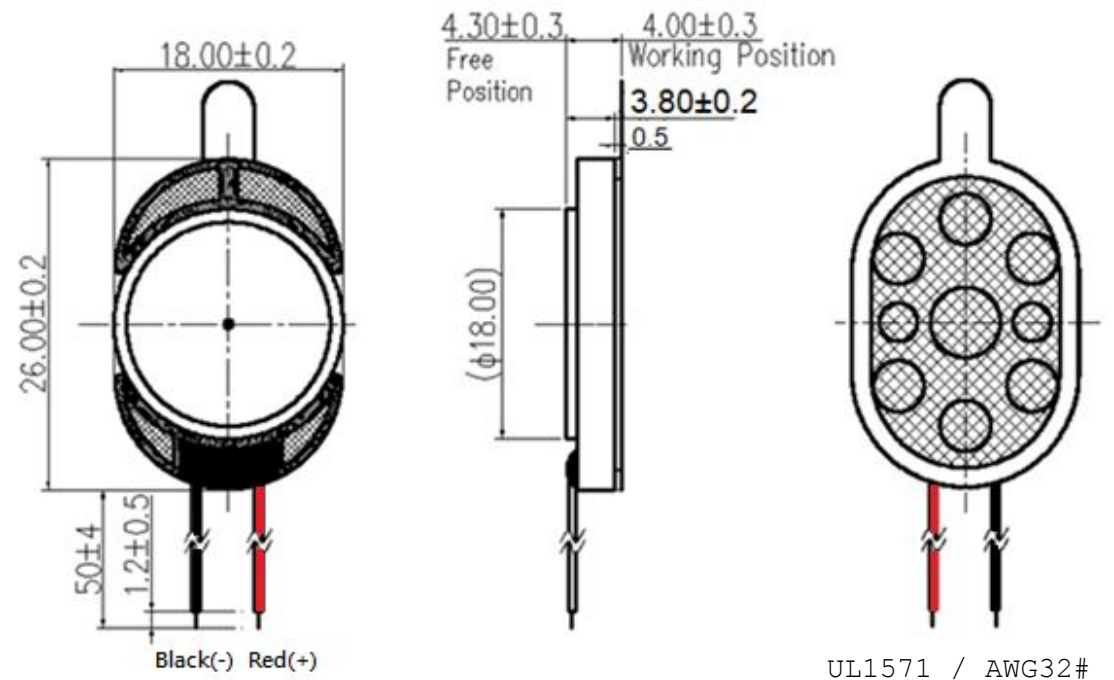
Dimensions

Page 6

Packing

Dimensions

Tolerance: ± 0.5 (unit: mm)



No.	Part Name	Material	Quantity
1	Wire (50mm)	UL1571 / AWG 32# 30V $\phi 0.55$ mm	2
2	PCB	FR-4	1
3	Frame	PBT	1
4	Magnet	Nd Fe B	1
5	Plate	SPCC	1
6	Voice Coil	Copper	1
7	Membrane	PET	1
8	Cap	Stainless Steel	1
9	Gasket	Black Net	1
10	Screen	Black Net	1

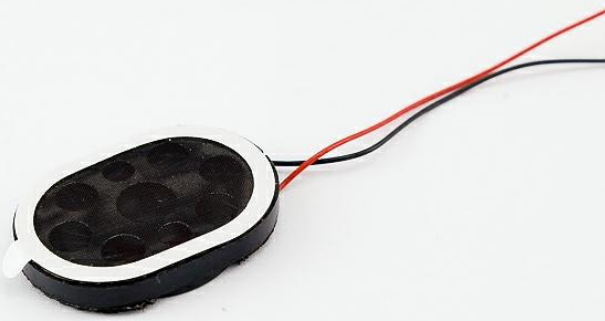


soberton inc.

SP DYNAMIC SPEAKER UNIT

Acoustic Product Specification

Product Number: SP-2618L



Release | Revision: B/2018

CONTENTS

This document contains the technical specifications for the dynamic speaker unit.

Page 1

Speaker Electroacoustic Characteristics

General Specifications

Page 2

Reliability Tests

Page 3

Measuring Method (Speaker Mode)

Standard Test Condition of Speakers

Page 4

Frequency Response Curve

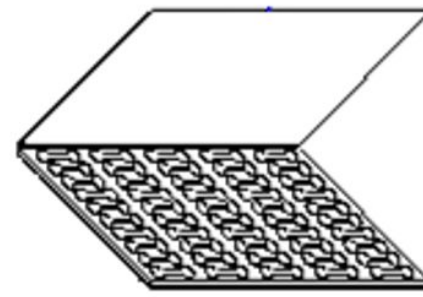
Page 5

Dimensions

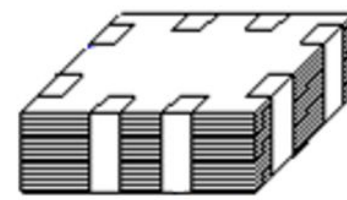
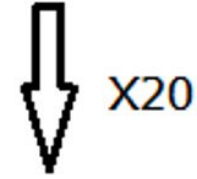
Page 6

Packing

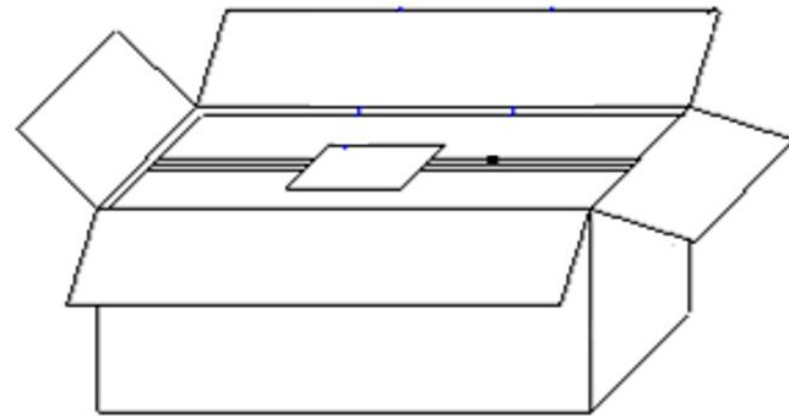
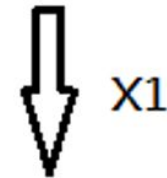
Packing



100PCS



2000PCS



Remarks

100 pcs per box

20 units per box

Total:2000 pcs per box

Size:34×24×20.5cm