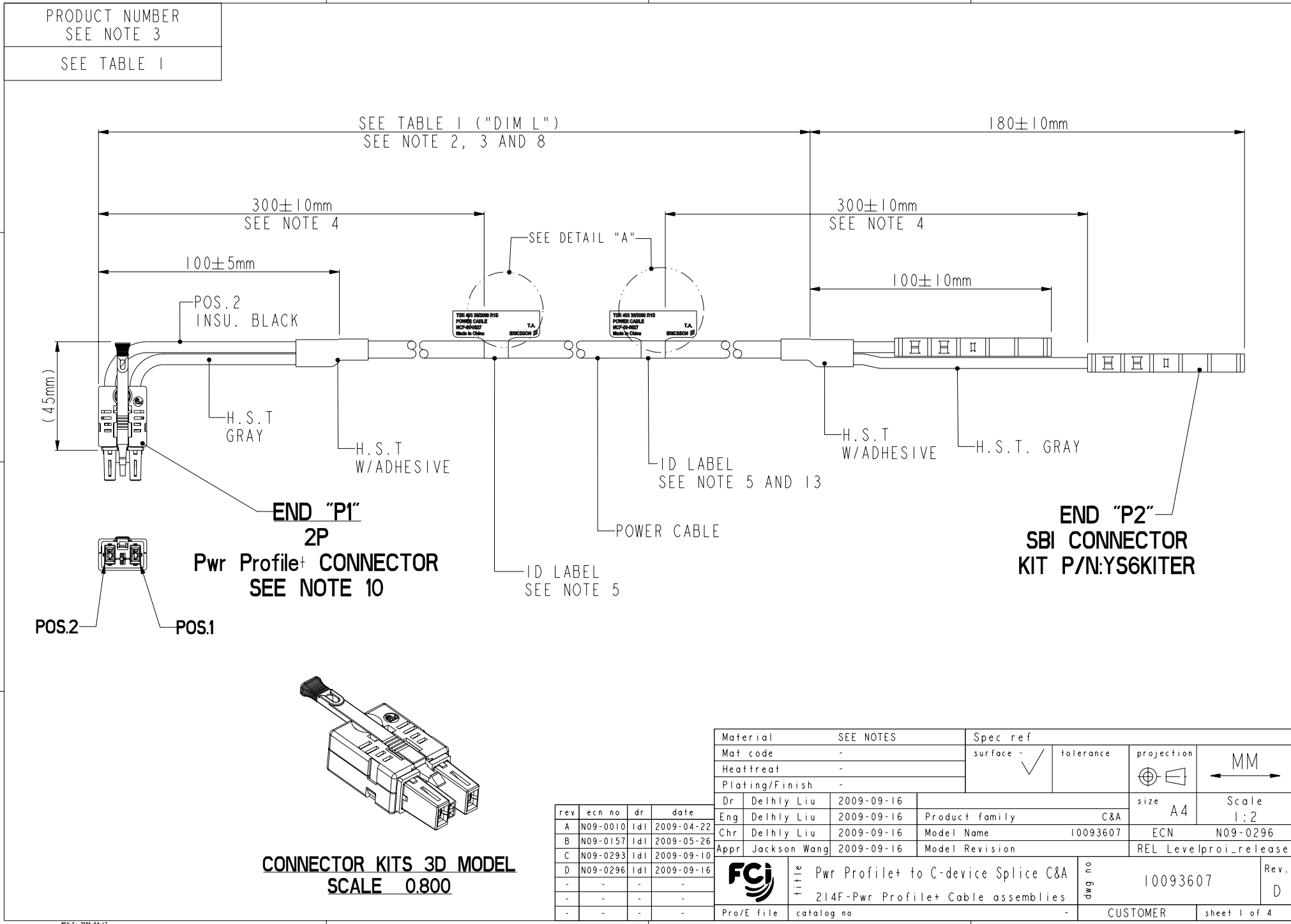


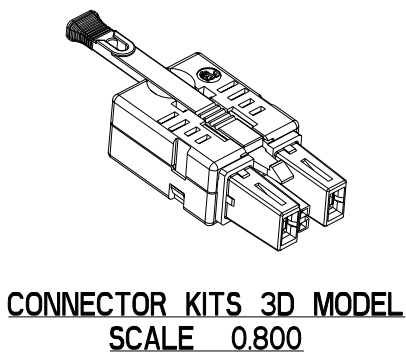


This document is the property of and embodies CONFIDENTIAL and PROPRIETARY information of FCI. No part of the information shown on this document may be used in any way or disclosed to others without the written consent of FCI. Copyright FCI.



END "P1"
2P
Pwr Profile+ CONNECTOR
SEE NOTE 10

END "P2"
SBI CONNECTOR
KIT P/N:YS6KITER



rev	ecn no	dr	date
A	N09-0010	Id1	2009-04-22
B	N09-0157	Id1	2009-05-26
C	N09-0293	Id1	2009-09-10
D	N09-0296	Id1	2009-09-16
-	-	-	-
-	-	-	-

Material	SEE NOTES	Spec ref			
Mat code	-	surface	✓	tolerance	projection
Heat treat	-				MM
Plating/Finish	-				←→
Dr	Delhly Liu	2009-09-16			size A4
Eng	Delhly Liu	2009-09-16	Product family	C&A	Scale 1:2
Chr	Delhly Liu	2009-09-16	Model Name	10093607	ECN N09-0296
Appr	Jackson Wang	2009-09-16	Model Revision		REL Levelproi_release
FCI		title	Pwr Profile+ to C-device Splice C&A		Rev. D
		title	214F-Pwr Profile+ Cable assemblies		dwg no 10093607
Pro/E file	catalog no			CUSTOMER	sheet 1 of 4

REV F: 2006-04-17



FCI CONFIDENTIAL

This document is the property of and embodies CONFIDENTIAL and PROPRIETARY information of FCI. No part of the information shown on this document may be used in any way or disclosed to others without the written consent of FCI. Copyright FCI.

REV F: 2006-04-17

PIN OUT/WIRING TABLE (SEE NOTE 6)					
FROM "P1"	WIRE SIZE	TYPE	TO "P2"	COLOR	NOTES
POS.1	6 mm ²	POWER 0V	YS6KITER	GRAY H.S.T.	OUTER CORE
POS.2	6 mm ²	POWER -48V	YS6KITER	BLACK	INNER CORE

P/N AND DIMENSION TABLE 1 (SEE NOTE 3)				
No.	FCI P/N	CUSTOMER P/N	DIM L	TOLERANCE
1	10093607-40290YYLF	TSR 493 36/2900	2.9 METER	+29/-0 mm
2	10093607-40300YYLF	TSR 493 36/3000	3 METER	+30/-0 mm
3	10093607-40600YYLF	TSR 493 36/6000	6 METER	+120/-0 mm
4	10093607-41000YYLF	TSR 493 36/10M	10 METER	+200/-0 mm

	title	Pwr Profile+ to C-device Splice C&A		dwg no	10093607	Rev.	D
		214F-Pwr Profile+ Cable assemblies					
Pro/E file	catalog no	-	CUSTOMER	sheet 2 of 4			



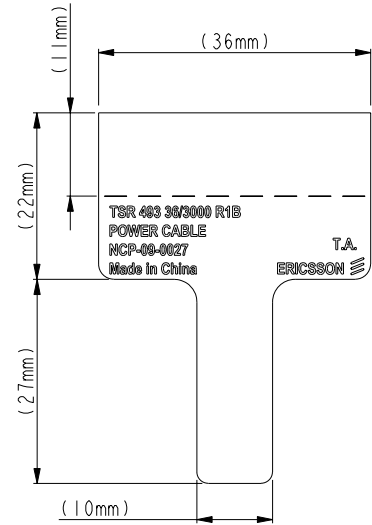
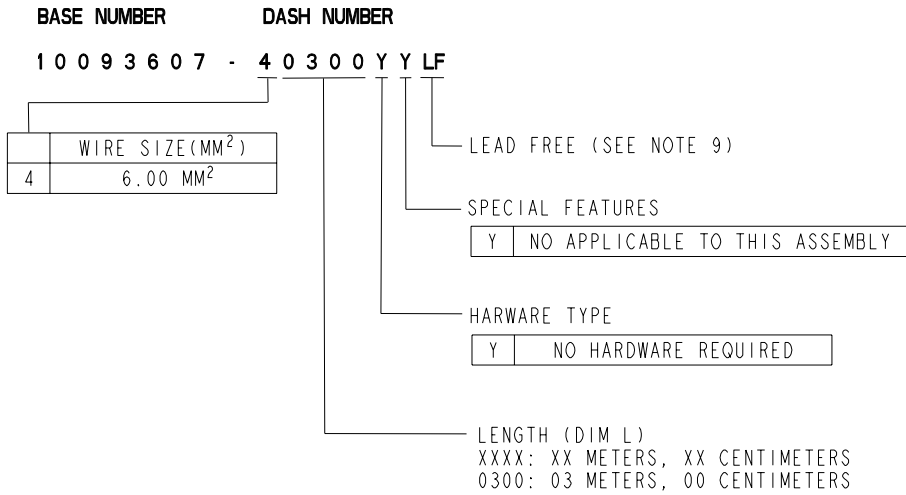
FCI CONFIDENTIAL

This document is the property of and embodies CONFIDENTIAL and PROPRIETARY information of FCI. No part of the information shown on this document may be used in any way or disclosed to others without the written consent of FCI. Copyright FCI.

REV F: 2006-04-17

NOTES:

- 1. END "P1" MATES WITH FCI HEADER PART NUMBER: 10089872-101LF
END "P2" MATES WITH FCI HEADER PART NUMBER: N/A
- 2. UNLESS OTHERWISE SPECIFIED ASSEMBLED LENGTH TOLERANCE =
< = 1 METER: ±10.0mm/-0
> 1 METER TO 4 METER: ±1% /-0 OF ALL LENGTHS
> = 4 METER: +2% / -0 OF ALL LENGTHS
- 3. PART NUMBER DESCRIPTION:



DETAIL "A" LABEL PRINT EXAMPLE
SEE NOTE 5

	title	Pwr Profile+ to C-device Splice C&A		Rev.	D
		214F-Pwr Profile+ Cable assemblies		dwg no	10093607
Pro/E file	catalog no	-	CUSTOMER	sheet 3 of 4	



NOTES CONTINUED:

- 4. LABEL POSITION SHALL BE APPROXIMATELY 300MM FROM REAR OF CONNECTOR AND ACCORDING TO ERICSSON DOCUMENT 10201-BYB 501+ Uen.
- 5. LABELING SHALL BE DONE AS PER ERICSSON DOCUMENT 10201-113 Uen AND 1301-LZF083278 Uen, LABEL TYPE IN ACCORD WITH LZF083278/3
 - ERICSSON P/N AND REV
 - DESCRIPTION ("POWER CABLE"), T.A. (T.A. STANDS FOR TEST APPROVED), PLACED IN RIGHT MARGIN
 - MANUFACTURING WEEK, BATCH INCLUDING FACTORY CODE
 - COUNTRY OF ORIGIN, ERICSSON LOGO (RIGHT MARGIN)

FONT SHALL BE CLEARLY VISABLE AND BLACK IN COLOR.
- 6. ALL CABLE ASSEMBLIES SHALL BE TESTED 100% FOR CONTINUITY AS DEFINED IN WIRING LIST.
- 7. UNLESS OTHERWISE SPECIFIED ALL CABLE ASSEMBLIES SHALL BE 100% HI-POT TESTED BY APPLYING 300V DC FOR MINIMUM OF 10ms, UNLESS ACTIVE COMPONENTS ARE USED IN THIS ASSEMBLY.
- 8. THIS DIMENSION IS A FINISHED PRODUCT LENGTH.
- 9. LEAD FREE PRODUCTS MEET EUROPEAN UNION DIRECTIVES AND OTHER COUNTRY REGULATIONS AS DESCRIBED IN GS-22-008.
LEAD FREE CRIMP BARREL PLATING 2.0 μm MIN. MATTE Sn OVER 1.27 μm NICKEL UNDERPLATE.
- 10. CONNECTOR ASSEMBLIES SHOWN ARE FOR REFERENCE ONLY AND MAY NOT SHOW ALL PART DETAIL.
- 11. PACKAGING SPECIFICATIONS SHALL BE ACCORDING TO GS-14-1341 AND GS-14-920 AND ERICSSON DOCUMENT 15191-487
- 12. END P1 CON. CRIMP HEIGHT REFER TO 2.48+/-0.06MM AND INS. CRIMP HEIGHT 4.9MM MAX. FOR CABLE SIZE 10AWG(6SQMM)
- 13. IF THE CABLE LENGTH IS MORE THAN 3 METER A SECOND IDENTITY LABEL SHALL BE PLACED IN END P2
- 14. A " \triangle " SYMBOL WILL BE NEXT TO ANY DIMENSION, VIEW, OR NOTE WHICH HAD BEEN MODIFIED WITH THE CURRENT DRAWING REVISION.
- 15. MATERIALS:
CABLE: UL RECONIZED, TEMPERATURE RATING 90°C, 300V MIN, COLOR GRAY
HOUSING: PPA, UL94V-0 GLASS FILLED, COLOR: BLACK
POWER CONTACTS: COPPER ALLOY WITH CRIMPING TYPE

	title	Pwr Profile+ to C-device Splice C&A		dwg no	10093607	Rev.	D
	Pro/E file	catalog no					