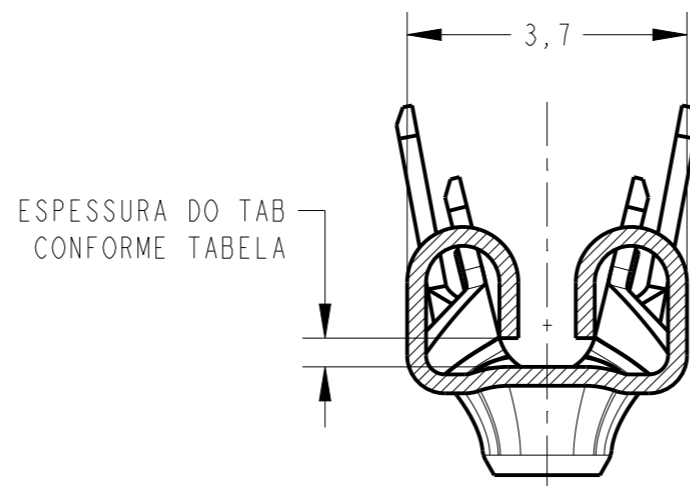
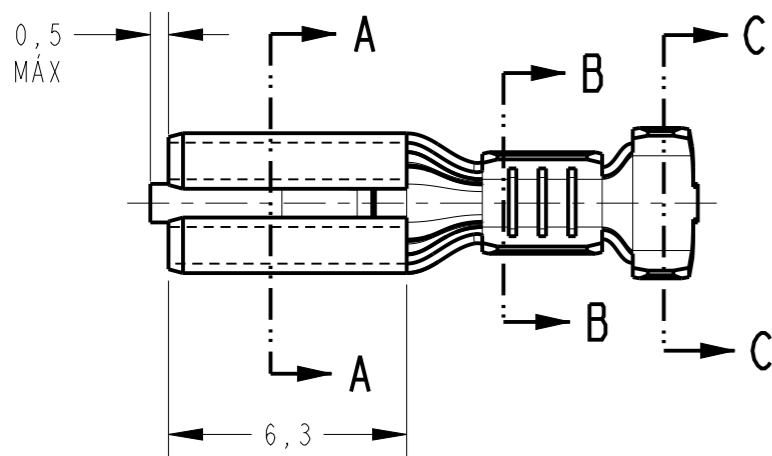
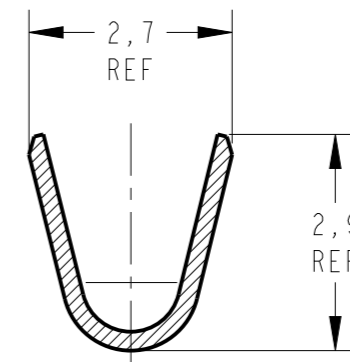


THIS DRAWING IS UNPUBLISHED. RELEASED FOR PUBLICATION 20
 © COPYRIGHT 20 BY - ALL RIGHTS RESERVED.

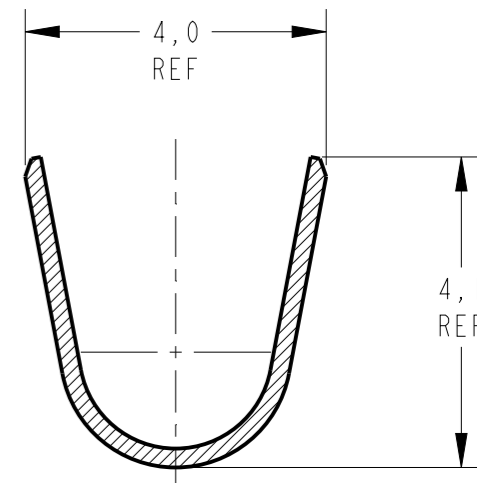
LOC	DIST	REVISIONS				
P	LTR	DESCRIPTION	DATE	DWN	APVD	
AP	-	D2 REDRAW BY CAD ECO-12-018945	07NOV2012	NCL	BR	
		D3 REVISED DRAWING ECO-14-014227	22SEP2014	NCL	MG	
		D4 REVISED BY ECO 16-003723	29JUN2016	HC	WLS	
		D5 REVISED PER ECN-21-102345	13APR2021	WLS	BHC	



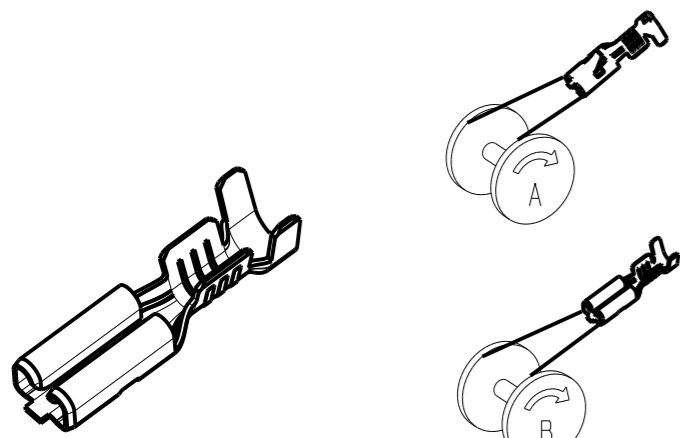
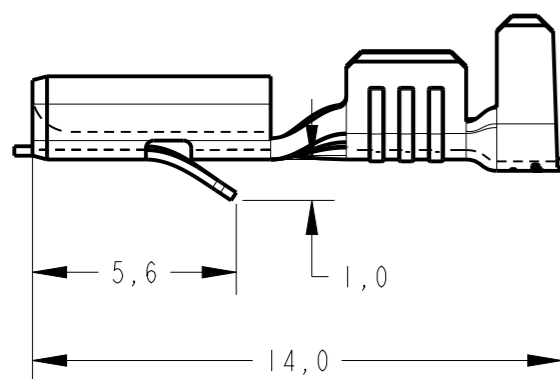
SECTION A-A
SCALE 10:1



SECTION B-B
SCALE 10:1



SECTION C-C
SCALE 10:1

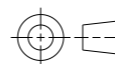


SCALE 3:1

	B	0,5 mm	—	PRE ESTANHADO / PRE-TIN	LATÃO / BRASS	881507 -9
OBSOLETE			0,45mm	PRE ESTANHADO / PRE-TIN	LATÃO / BRASS	881507 -8
OBSOLETE			0,7mm		LATÃO / BRASS	881507 -7
OBSOLETE		0,5mm		PRE ESTANHADO / PRE-TIN	BRONZE FOSF / PHOS BRONZE	881507 -6
	A	0,5mm	—	PRE ESTANHADO / PRE-TIN	LATÃO / BRASS	881507 -5
OBSOLETE					BRONZE FOSF / PHOS BRONZE	881507 -3
OBSOLETE			0,45mm	ESTANHADO / ELETRO-TIN	LATÃO / BRASS	881507 -2
	A	0,5mm	—	—	LATÃO / BRASS	881507 -1
	REELING DIRECTION	ESPESSURA TAB	GAP SIZE	FINISH	MATERIAL	PART NUMBER

THIS DRAWING IS A CONTROLLED DOCUMENT.

DIMENSIONS:
mm



TOLERANCES UNLESS OTHERWISE SPECIFIED:
 0 PLC ±0,5
 1 PLC ±
 2 PLC ±
 3 PLC ±
 4 PLC ±
 ANGLES ±°

MATERIAL SEE TABLE FINISH SEE TABLE

DWN 07NOV2012
 NCLAPRESA
 CHK 07NOV2012
 JRGOLDCHMIDT
 APVD 07NOV2012
 BRIGHETO

PRODUCT SPEC -
 APPLICATION SPEC -
 WEIGHT -

Customer Drawing

STE TE Connectivity

NAME RECEPTACLE .110 SERIES FASTIN-FASTON

SIZE A3 CAGE CODE 00779 DRAWING NO C-881507 RESTRICTED TO -

2,03-3,05	0,5-1,5 mm ²
INS. RANGE	WIRE RANGE

SCALE 5:1 SHEET 1 OF 1 REV D5