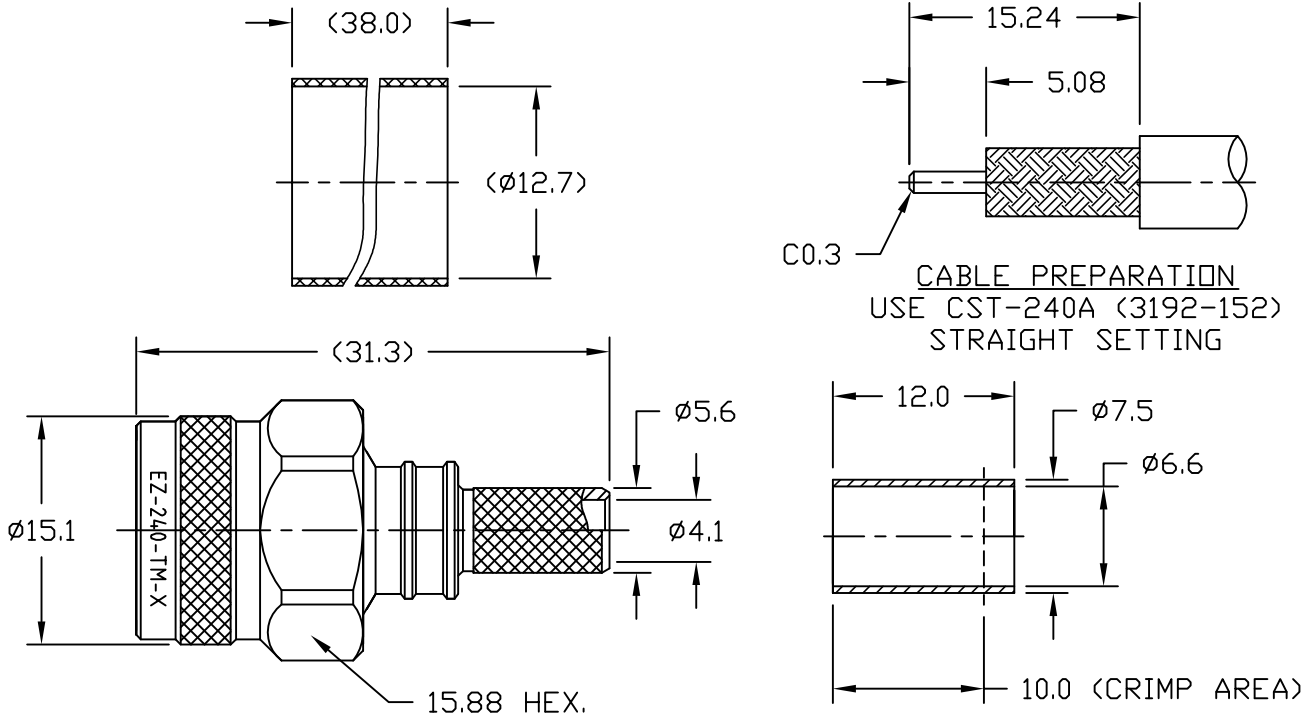


NOTICE OF PROPRIETARY RIGHTS THIS DOCUMENT CONTAINS CONFIDENTIAL TECHNICAL DATA, INCLUDING TRADE SECRETS, PROPRIETARY TO TIMES MICROWAVE SYSTEMS. DISCLOSURE OF THIS DATA IS EXPRESSLY CONDITIONED UPON YOUR ASSENT THAT ITS USE IS LIMITED TO USE WITHIN YOUR COMPANY ONLY. ANY OTHER USE IS STRICTLY PROHIBITED WITHOUT THE PRIOR WRITTEN CONSENT OF TIMES MICROWAVE SYSTEMS.

| SYM | REVISION DESCRIPTION | DFTM | DATE | APPD | DATE |
|-----|-------------------------|----------|--------|----------|---------|
| A | RELEASED FOR PRODUCTION | D. J. H. | 2/1/12 | J. D. B. | 8/28/13 |



CABLE PREPARATION
USE CST-240A (3192-152)
STRAIGHT SETTING

- NOTES:
1. CRIMP THE FERRULE TO .255" HEX.
2. CONTACT PIN IS CAPTIVATED (EZ).

ALL PARTS SATISFIED ROHS REQUIREMENTS

| MATERIALS AND PLATING | | UNIT: MICRO-INCHES |
|-----------------------|------------------------|----------------------------|
| BODY/SHELL | BRASS PER C3604 | ALBALOY 80 MIN/COPPER |
| CONTACT PIN | PHOSPHOR BRONZE C54400 | GOLD 50 MIN/NICKEL/ COPPER |
| INSULATOR | TEFLON MIL-P-19468 | NATURAL |
| FERRULE | BRASS | ALBALOY 80 MIN/COPPER |

| MECHANICAL CHARACTERISTICS | |
|--------------------------------|---------------|
| Force to engage and disengage | N/A |
| Center contact retention force | 6 lbs MIN |
| Coupling torque | 20 lbf-in MIN |
| Coupling nut retention force | 60 lbs |
| Durability | ≥ 500 cycles |

| ELECTRICAL CHARACTERISTICS | |
|---------------------------------|---|
| Impedance | 50 Ω |
| Voltage rating | 500V(rms) |
| Frequency range | 0~6GHz |
| Dielectric withstanding voltage | 750V |
| Contact resistance | Center contact ≤ 3mΩ Outer contact ≤ 2mΩ |
| Insulation resistance | ≥ 5000MΩ |
| Insertion loss | According to the cable |
| RF- leakage | N/A |
| VSWR | 1.25MAX@0-6GHz |

| ENVIRONMENTAL CHARACTERISTICS | |
|-------------------------------|-------------------------------------|
| Temperature range | -55°C- +155°C |
| Thermal shock | US MIL- STD 202, Meth. 107, Cond. B |
| Vibration | US MIL- STD 202, Meth. 204, Cond. B |
| Shock | US MIL- STD 202, Meth. 213, Cond. I |
| Climatic class | IEC 60068 65/165/21 |

| | | | | |
|--------------|---|----------------------|----------------|--|
| MATL: | UNLESS OTHERWISE SPECIFIED | | DFTM. D. J. H. | TIMES MICROWAVE SYSTEMS |
| | ALL DIMENSIONS ARE IN mm MACHINED SURFACES FINISH 1.6 RMS MAX. REMOVE ALL BURRS 0.15X45° MAX. BREAK MACHINE CORNERS 0.15X45° MAX. FILLET R. TOLERANCES ON DECIMALS .X ± 0.3 .XX ± 0.2 ANGLES ± 1/2° FRACTIONS ± N/A | | DATE 2/1/12 | |
| USED ON: O-4 | | | CHKD. J. D. B. | EZ-240-TM-X "TNC" MALE FOR LMR-240 CABLE EZ/CRIMP/NO BRAID TRIM |
| | | | DATE 8/28/13 | |
| SCALE: N/A | | | APPD. J. D. B. | SHEET 1 of 1 SD3190-2725 REV A |
| | DWG. SIZE A | DO NOT SCALE DRAWING | DATE 8/28/13 | |
| | CODE IDENT | 68999 | | |