

4 CIRCUIT SHOWN

- NOTES:
1. MATERIAL: SEE TABLE
 2. FINISHES: SEE TABLE
 3. PRODUCT SPECIFICATION: NOT REQUIRED
 4. PACKAGING: NOT REQUIRED
 5. MATES WITH: NONE
 6. "XX" REFERS TO THE QUANTITY OF CIRCUITS.

| ITEM | QTY. | DESCRIPTION | MATERIAL | FINISH |
|------|------|--|---------------|--------------------|
| 6 | XX | SCREW, #6-32X.250, PHIL-SLOT, SO, WASHER (-50 OPT) | STEEL | ZN, CLEAR CHROMATE |
| 5 | XX | SCREW, #6-32X.250, PHIL-SLOT, BHD, (-49 OPT) | BRASS | NICKEL PLATE |
| 4 | XX | SCREW, #6-32X.250, PHIL-SLOT, BHD | STEEL | ZN, CLEAR CHROMATE |
| 3 | 2 | PLATE, MTG. | BRASS | NICKEL PLATE |
| 2 | XX | TERMINAL, PC | BRASS | TIN PLATE |
| 1 | 1 | INSULATOR, SR, RAISED PADS | THERMOPLASTIC | BLACK |

EC NO. RELEASED
 DRAWN: CLY
 CHK: APPR:
 A

QUALITY SYMBOLS
 MAJOR
 CRITICAL
 SPC

| GENERAL TOLERANCES: (UNLESS SPECIFIED) | |
|--|-------------|
| mm | INCH |
| 4 PLACES | ±.0015 |
| 3 PLACES | ±.038 ±.005 |
| 2 PLACES | ±.13 ±.01 |
| 1 PLACE | ±.3 |
| ANGULAR: ±2° | |

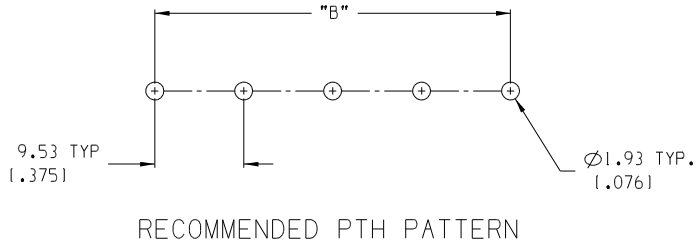
SCALE 2:1
 DESIGN UNITS
 mm INCH
 DRAWN BY & DATE
 C. YORK 03-01-05
 CHECKED BY & DATE
 APPROVED BY & DATE

THIRD ANGLE PROJECTION
 TITLE:
 9.53 1.3751 SR BTS, PC ASSY,
 RAISED PADS

| | | |
|--------------------------|--|--|
| PROJECT NO. - | - | - |
| DIMENSIONS: | <input checked="" type="checkbox"/> mm <input type="checkbox"/> INCH | <input type="checkbox"/> mm <input type="checkbox"/> INCH ONLY |
| | SHT | REV |
| | 1 | 1 |
| | REVISE ON CAD ONLY | |
| MATERIAL NO. SEE CHART | | |
| DRAWING NO. SD-38720-006 | | |
| SHEET NO. 1 OF 2 | | |

CAD FILENAME 725XX-P
 THIS DRAWING CONTAINS INFORMATION THAT IS PROPRIETARY TO MOLEX INCORPORATED AND SHOULD NOT BE USED WITHOUT WRITTEN PERMISSION.
 SIZE B

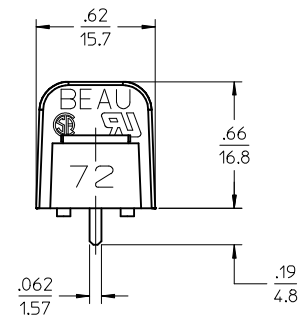
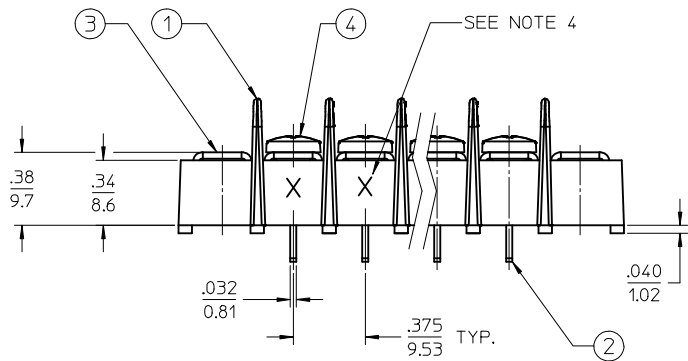
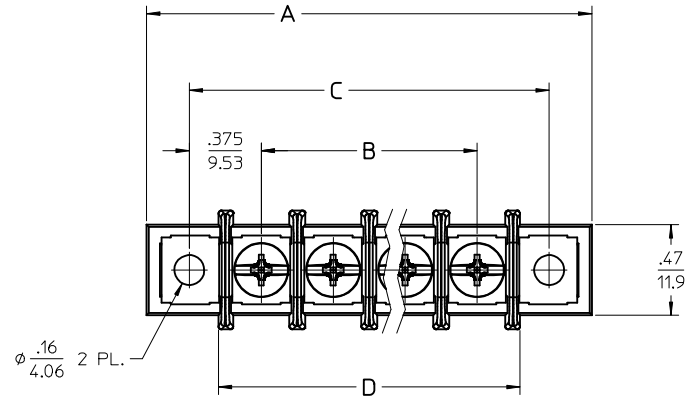
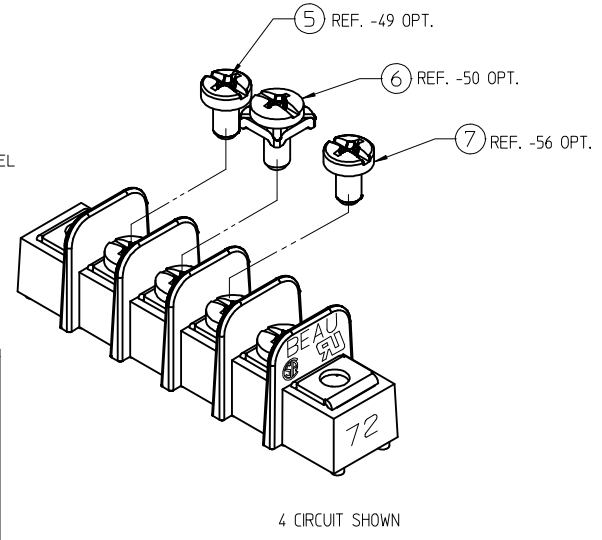
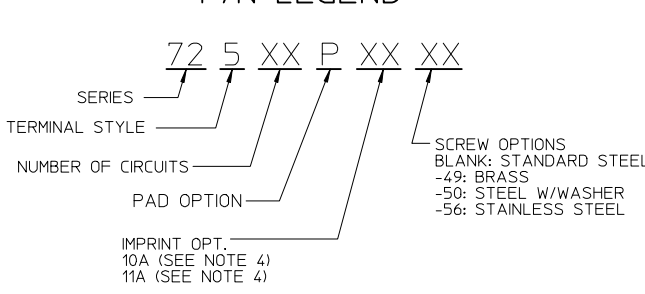
| NUMBER OF CIRCUITS "XX" | DIM. "A" | | DIM. "B" | | DIM. "C" | | DIM. "D" | | ASSEMBLY MATERIAL NO. (-P OPT.) | ASSEMBLY MATERIAL NO. (-P-49 OPT.) | ASSEMBLY MATERIAL NO. (-P-50 OPT.) |
|-------------------------|----------|---------|----------|---------|----------|----------|----------|--------|---------------------------------|------------------------------------|------------------------------------|
| 02 | 40.1 | [1.58] | 9.53 | [1.375] | 28.58 | [1.125] | 21.1 | [1.83] | 387206502 | 387207102 | 387207702 |
| 03 | 49.7 | [1.96] | 19.05 | [1.750] | 38.10 | [1.500] | 30.6 | [1.21] | 387206503 | 387207103 | 387207703 |
| 04 | 59.2 | [2.33] | 28.58 | [1.125] | 47.63 | [1.875] | 40.1 | [1.58] | 387206504 | 387207104 | 387207704 |
| 05 | 68.7 | [2.71] | 38.10 | [1.500] | 57.15 | [2.250] | 49.7 | [1.96] | 387206505 | 387207105 | 387207705 |
| 06 | 78.2 | [3.08] | 47.63 | [1.875] | 66.68 | [2.625] | 59.2 | [2.33] | 387206506 | 387207106 | 387207706 |
| 07 | 87.8 | [3.46] | 57.15 | [2.250] | 76.20 | [3.000] | 68.7 | [2.71] | 387206507 | 387207107 | 387207707 |
| 08 | 97.3 | [3.83] | 66.68 | [2.625] | 85.73 | [3.375] | 78.2 | [3.08] | 387206508 | 387207108 | 387207708 |
| 09 | 106.8 | [4.21] | 76.20 | [3.000] | 95.25 | [3.750] | 87.8 | [3.46] | 387206509 | 387207109 | 387207709 |
| 10 | 116.3 | [4.58] | 85.73 | [3.375] | 104.78 | [4.125] | 97.3 | [3.83] | 387206510 | 387207110 | 387207710 |
| 11 | 125.9 | [4.96] | 95.25 | [3.750] | 114.30 | [4.500] | 106.8 | [4.21] | 387206511 | 387207111 | 387207711 |
| 12 | 135.4 | [5.33] | 104.78 | [4.125] | 123.83 | [4.875] | 116.3 | [4.58] | 387206512 | 387207112 | 387207712 |
| 13 | 144.9 | [5.71] | 114.30 | [4.500] | 133.35 | [5.250] | 125.9 | [4.96] | 387206513 | 387207113 | 387207713 |
| 14 | 154.4 | [6.08] | 123.83 | [4.875] | 142.88 | [5.625] | 135.4 | [5.33] | 387206514 | 387207114 | 387207714 |
| 15 | 164.0 | [6.46] | 133.35 | [5.250] | 152.40 | [6.000] | 144.9 | [5.71] | 387206515 | 387207115 | 387207715 |
| 16 | 173.5 | [6.83] | 142.88 | [5.625] | 161.93 | [6.375] | 154.4 | [6.08] | 387206516 | 387207116 | 387207716 |
| 17 | 183.0 | [7.21] | 152.40 | [6.000] | 171.45 | [6.750] | 164.0 | [6.46] | 387206517 | 387207117 | 387207717 |
| 18 | 192.5 | [7.58] | 161.93 | [6.375] | 180.98 | [7.125] | 173.5 | [7.21] | 387206518 | 387207118 | 387207718 |
| 19 | 202.1 | [7.96] | 171.45 | [6.750] | 190.50 | [7.500] | 192.5 | [7.58] | 387206519 | 387207119 | 387207719 |
| 20 | 211.6 | [8.33] | 180.98 | [7.125] | 200.03 | [7.875] | 202.1 | [7.96] | 387206520 | 387207120 | 387207720 |
| 21 | 221.1 | [8.71] | 190.50 | [7.500] | 209.55 | [8.250] | 211.6 | [8.33] | 387206521 | 387207121 | 387207721 |
| 22 | 230.6 | [9.08] | 200.03 | [7.875] | 219.08 | [8.625] | 221.1 | [8.71] | 387206522 | 387207122 | 387207722 |
| 23 | 240.2 | [9.46] | 209.55 | [8.250] | 228.60 | [9.000] | 230.6 | [9.08] | 387206523 | 387207123 | 387207723 |
| 24 | 249.7 | [9.83] | 219.08 | [8.625] | 238.13 | [9.375] | 230.6 | [9.08] | 387206524 | 387207124 | 387207724 |
| 25 | 259.2 | [10.21] | 228.60 | [9.000] | 247.65 | [9.750] | 240.2 | [9.46] | 387206525 | 387207125 | 387207725 |
| 26 | 268.7 | [10.58] | 238.13 | [9.375] | 257.18 | [10.125] | 249.7 | [9.83] | 387206526 | 387207126 | 387207726 |



| | | | | | | | | | | | |
|--|-------------|---|---|--------|---|--|---|---------------|-----------------------------|-----|---------------------|
| EC NO. : DRAWN: CH-K CHK-K APPR: REV | DESCRIPTION | QUALITY SYMBOLS MAJOR CRITICAL SPC | GENERAL TOLERANCES: (UNLESS SPECIFIED) | | SCALE | DESIGN UNITS | THIRD ANGLE PROJECTION | PROJECT NO. - | - | - | |
| | | | mm | INCH | - | <input type="checkbox"/> mm <input checked="" type="checkbox"/> INCH | <input checked="" type="checkbox"/> THIRD ANGLE | DIMENSIONS: | SHT | REV | |
| | | | 4 PLACES | ±.0015 | | | <input checked="" type="checkbox"/> mm <input type="checkbox"/> INCH <input type="checkbox"/> mm ONLY | | | | |
| | | | 3 PLACES | ±.038 | | | | | | | |
| | | | 2 PLACES | ±.13 | | | | | | | |
| | | | 1 PLACE | ±.3 | | | | | | | |
| | | | ANGULAR: ±2° | | DRAWN BY & DATE C. YORK 03-01-05 | | TITLE: 9.53 [1.375] SR BTS, PC ASSY, RAISED PADS | | | | |
| | | | DRAFT WHERE APPLICABLE MUST REMAIN WITHIN DIMENSIONS | | CHECKED BY & DATE | | APPROVED BY & DATE | | | | |
| | | | | | CAD FILENAME 725XX-P | | MATERIAL NO. SEE CHART | | DRAWING NO. SD-38720-006 | | |
| | | | | | THIS DRAWING CONTAINS INFORMATION THAT IS PROPRIETARY TO MOLEX INCORPORATED AND SHOULD NOT BE USED WITHOUT WRITTEN PERMISSION. | | | | | | SHEET NO. 2 OF 2 |
| | | | | | | | | | | | SIZE B |

| NUMBER OF CIRCUITS "XX" | DIM. A | | DIM. B | | DIM. C | | DIM. D | |
|-------------------------|--------|-------|--------|--------|--------|-------|--------|-------|
| | IN | MM | IN | MM | IN | MM | IN | MM |
| 01 | 1.21 | 30.7 | - | - | .75 | 19.1 | .46 | 11.7 |
| 02 | 1.58 | 40.1 | .375 | 9.53 | 1.13 | 28.7 | .83 | 21.1 |
| 03 | 1.96 | 49.7 | .750 | 19.05 | 1.50 | 38.1 | 1.21 | 30.7 |
| 04 | 2.33 | 59.2 | 1.125 | 28.58 | 1.88 | 47.7 | 1.58 | 40.1 |
| 05 | 2.71 | 68.8 | 1.500 | 38.10 | 2.25 | 57.2 | 1.96 | 49.8 |
| 06 | 3.08 | 78.2 | 1.875 | 47.63 | 2.63 | 66.8 | 2.33 | 59.2 |
| 07 | 3.46 | 87.9 | 2.250 | 57.15 | 3.00 | 76.2 | 2.71 | 68.8 |
| 08 | 3.83 | 97.3 | 2.625 | 66.68 | 3.38 | 85.9 | 3.08 | 78.2 |
| 09 | 4.21 | 106.9 | 3.000 | 76.20 | 3.75 | 95.3 | 3.46 | 87.8 |
| 10 | 4.58 | 116.3 | 3.375 | 85.73 | 4.13 | 104.9 | 3.83 | 97.3 |
| 11 | 4.96 | 126.0 | 3.750 | 95.25 | 4.50 | 114.3 | 4.21 | 106.9 |
| 12 | 5.33 | 135.4 | 4.125 | 104.78 | 4.88 | 123.9 | 4.58 | 116.3 |
| 13 | 5.71 | 145.0 | 4.500 | 114.30 | 5.25 | 133.4 | 4.96 | 126.0 |
| 14 | 6.08 | 154.4 | 4.875 | 123.83 | 5.63 | 143.0 | 5.33 | 135.4 |
| 15 | 6.46 | 164.0 | 5.250 | 133.35 | 6.00 | 152.4 | 5.71 | 145.0 |
| 16 | 6.83 | 173.5 | 5.625 | 142.88 | 6.38 | 162.0 | 6.08 | 154.4 |
| 17 | 7.21 | 183.1 | 6.000 | 152.40 | 6.75 | 171.5 | 6.46 | 164.0 |
| 18 | 7.58 | 192.5 | 6.375 | 161.93 | 7.13 | 181.1 | 6.84 | 173.7 |
| 19 | 7.96 | 202.2 | 6.750 | 171.45 | 7.50 | 190.5 | 7.21 | 183.1 |
| 20 | 8.33 | 211.6 | 7.125 | 180.98 | 7.88 | 200.2 | 7.58 | 192.5 |
| 21 | 8.71 | 221.2 | 7.500 | 190.50 | 8.25 | 209.6 | 7.96 | 202.2 |
| 22 | 9.08 | 230.6 | 7.875 | 200.03 | 8.63 | 219.2 | 8.33 | 211.6 |
| 23 | 9.46 | 240.3 | 8.250 | 209.55 | 9.00 | 228.6 | 8.71 | 221.2 |
| 24 | 9.83 | 249.7 | 8.625 | 219.08 | 9.38 | 238.2 | 9.08 | 230.6 |
| 25 | 10.21 | 259.3 | 9.000 | 228.60 | 9.75 | 247.7 | 9.46 | 240.3 |
| 26 | 10.58 | 268.7 | 9.375 | 238.13 | 10.13 | 257.3 | 9.83 | 250.0 |

P/N LEGEND



- NOTES:
1. MATERIAL: SEE TABLE
 2. FINISH: SEE TABLE
 3. ELECTRICAL SPECS:
MAX VOLTAGE: 300V (BINDING HD, 14 AWG)
MAX CURRENT: 15A

MAX VOLTAGE: 300V (-50 OPT, 12 AWG)
MAX CURRENT: 25A
 4. REFER TO SD-38120-001 FOR IMPRINT OPTION 10A & 11A
 5. PRODUCT SPEC: PS-38710-001
 6. SCREW TIGHTENING TORQUE: 12 IN LBS. (MAX)
 7. WIRE STRIP LENGTH: .31 (7.8mm)
 8. PART IS RoHS COMPLIANT

| 7 | XX | SCREW, #6-32X.250, PHIL-SLOT, BHD -56 OPT | ST. STEEL | PASSIVATED |
|------|------|--|-----------|----------------------|
| 6 | XX | SCREW, #6-32X.250, PHIL-SLOT, SQ. WASHER (-50 OPT) | STEEL | ZINC, CLEAR CHROMATE |
| 5 | XX | SCREW, #6-32X.250, PHIL-SLOT, BHD -49 OPT | BRASS | NICKEL PLATED |
| 4 | XX | SCREW, #6-32X.250, PHIL-SLOT, BHD | STEEL | ZINC, CLEAR CHROMATE |
| 3 | 2 | PLATE, MTG. | BRASS | NICKEL PLATED |
| 2 | XX | TERMINAL, PC | BRASS | TIN PLATED |
| 1 | 1 | INSULATOR, SR, RAISED PADS | PBT | BLACK |
| ITEM | QTY. | DESCRIPTION | MATERIAL | FINISH |

| RELEASED EC NO: IPGZ2015-2082 DRWR:RSTONE 2015/06/04 CHKD:B RUPERT 2015/06/08 APPR:JFMURPHY 2015/06/08 REV DESCRIPTION | QUALITY SYMBOLS | GENERAL TOLERANCES (UNLESS SPECIFIED) <table border="1"> <tr> <th></th> <th>mm</th> <th>INCH</th> </tr> <tr> <td>4 PLACES</td> <td>± .005</td> <td>± .0005</td> </tr> <tr> <td>3 PLACES</td> <td>± .005</td> <td>± .0005</td> </tr> <tr> <td>2 PLACES</td> <td>± .005</td> <td>± .001</td> </tr> <tr> <td>1 PLACE</td> <td>± 0.3</td> <td>± .0125</td> </tr> <tr> <td>0 PLACE</td> <td>± .005</td> <td>± .0005</td> </tr> </table> | | mm | INCH | 4 PLACES | ± .005 | ± .0005 | 3 PLACES | ± .005 | ± .0005 | 2 PLACES | ± .005 | ± .001 | 1 PLACE | ± 0.3 | ± .0125 | 0 PLACE | ± .005 | ± .0005 | DIMENSION STYLE | SCALE | DESIGN UNITS | THIRD ANGLE PROJECTION |
|--|-----------------|---|---|---|------|----------|--------|---------|----------|--------|---------|----------|--------|--------|---------|-------|---------|---------|--------|---------|-----------------|-------|--------------|------------------------|
| | | | mm | INCH | | | | | | | | | | | | | | | | | | | | |
| | 4 PLACES | | ± .005 | ± .0005 | | | | | | | | | | | | | | | | | | | | |
| | 3 PLACES | | ± .005 | ± .0005 | | | | | | | | | | | | | | | | | | | | |
| 2 PLACES | ± .005 | ± .001 | | | | | | | | | | | | | | | | | | | | | | |
| 1 PLACE | ± 0.3 | ± .0125 | | | | | | | | | | | | | | | | | | | | | | |
| 0 PLACE | ± .005 | ± .0005 | | | | | | | | | | | | | | | | | | | | | | |
| | | IN/MM | 2:1 | INCH | | | | | | | | | | | | | | | | | | | | |
| | | DRAWN BY: RSTONE DATE: 2015/06/04 | SR BTS .375 PITCH PC TERMS, RAISED PADS MOUNTING ENDS molex | | | | | | | | | | | | | | | | | | | | | |
| | | CHECKED BY: B RUPERT DATE: 2015/06/08 | | | | | | | | | | | | | | | | | | | | | | |
| | | APPROVED BY: JFMURPHY DATE: 2015/06/08 | DOCUMENT NO. SD-38720-014 SHEET NO. 1 OF 1 | | | | | | | | | | | | | | | | | | | | | |
| DRAFT WHERE APPLICABLE MUST REMAIN WITHIN DIMENSIONS | | MATERIAL NO. SEE CHART | | THIS DRAWING CONTAINS INFORMATION THAT IS PROPRIETARY TO MOLEX INCORPORATED AND SHOULD NOT BE USED WITHOUT WRITTEN PERMISSION | | | | | | | | | | | | | | | | | | | | |