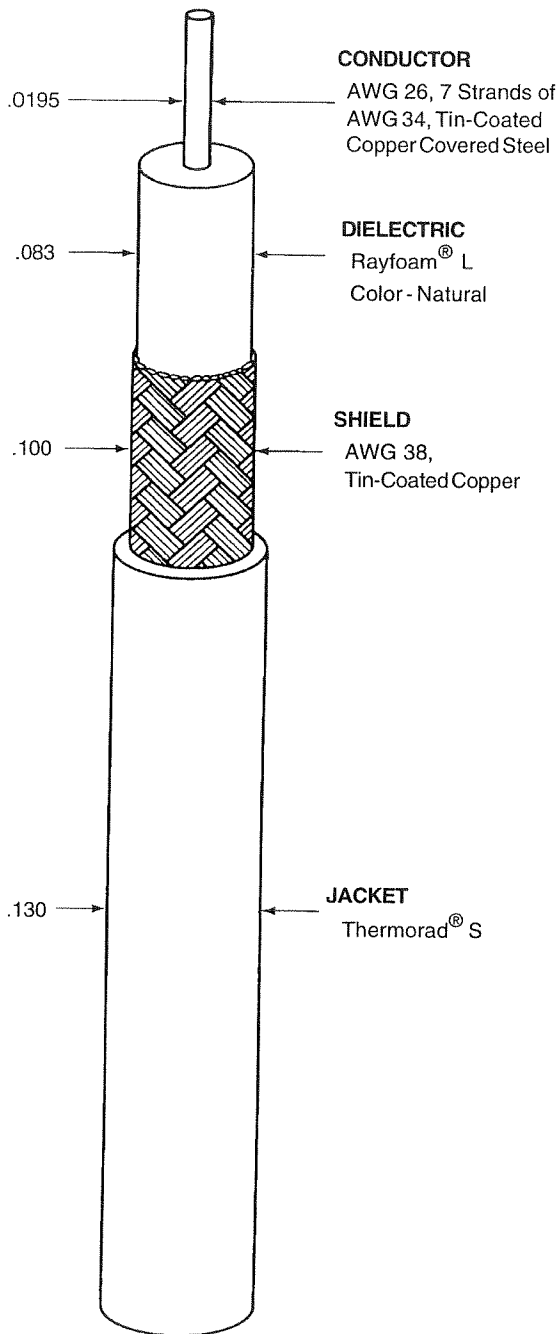


THIS SPECIFICATION SHEET FORMS A PART OF THE LATEST ISSUE OF RAYCHEM SPECIFICATION 1200.

CONSTRUCTION DETAILS

DIMENSIONS ARE NOMINAL VALUES IN INCHES UNLESS OTHERWISE DESIGNATED.



ELECTRICAL CHARACTERISTICS

CHARACTERISTIC IMPEDANCE	75 ± 3 ohms, Method B
CAPACITANCE	17.0 pF/ft. (nominal)
VELOCITY OF PROPAGATION	79% (nominal)

ADDITIONAL REQUIREMENTS

ELECTRICAL

CONDUCTOR RESISTANCE	101.0 ohms/1000 ft. (nominal)
INSULATION RESISTANCE	10,000 megohms (minimum) for 1000 ft.
JACKET FLAWS	
SPARK TEST	1.0 kV (rms)
IMPULSE TEST	6.0 kV (peak)
VOLTAGE WITHSTAND (Dielectric)	1000 volts (rms), (minimum)

ENVIRONMENTAL

FLAMMABILITY	Method C
HEAT SHOCK	225°C
LOW TEMPERATURE-COLD BEND	-55°C/3.50 inch mandrel
VOLTAGE WITHSTAND (Post Environmental)	1000 volts (rms), 1 minute

PHYSICAL

INSULATION (Dielectric)	
ELONGATION	50% (minimum)
TENSILE STRENGTH	800 lbf/in² (minimum)
JACKET	
ELONGATION	250% (minimum)
TENSILE STRENGTH	2000 lbf/in² (minimum)
JACKET THICKNESS	.015 inch (nominal)
SHIELD COVERAGE	90% (minimum)

WEIGHT	10.0 lbs/1000 ft. (nominal)
--------	-----------------------------

Outer jacket color will be black (designated by a "0" appended to the part number, e.g., 7526A1317-0) unless otherwise specified.

Designate outer jacket color with a dash number in accordance with MIL-STD-681.