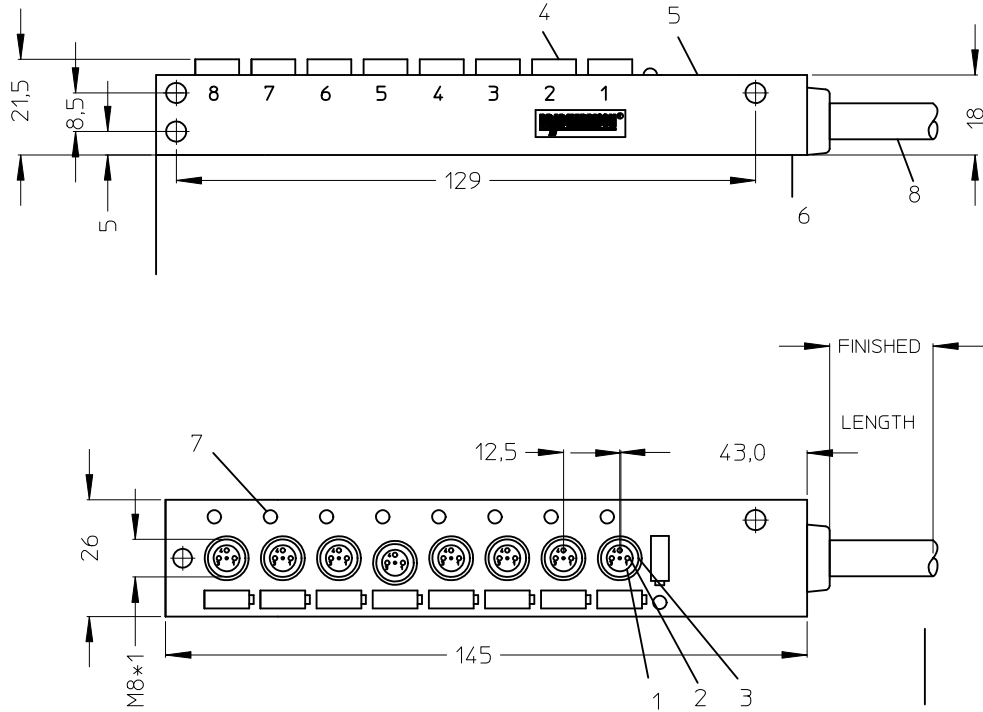
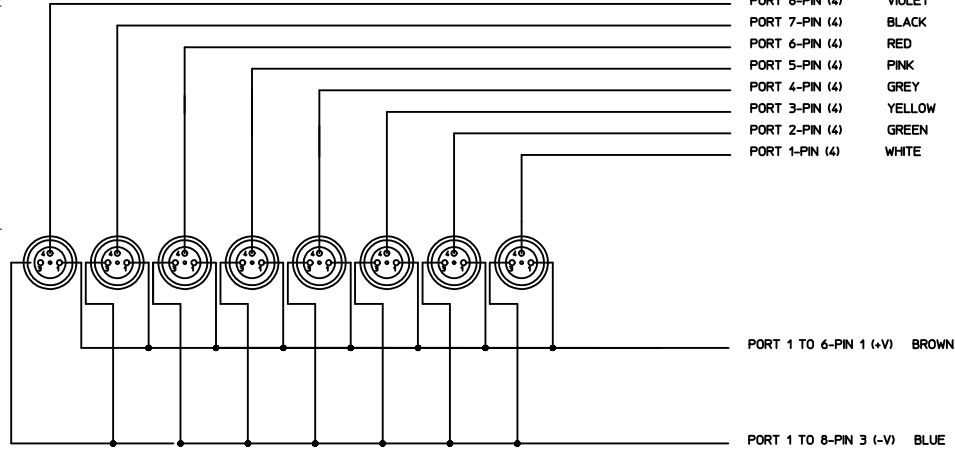


SAP-NUMBER	OLD PART NUMBER	FINISHED LENGTH
1201130016	BEY8010-FBP-05	5000



PORT (CONTACT)	COLOR
PORT 8-PIN (4)	VIOLET
PORT 7-PIN (4)	BLACK
PORT 6-PIN (4)	RED
PORT 5-PIN (4)	PINK
PORT 4-PIN (4)	GREY
PORT 3-PIN (4)	YELLOW
PORT 2-PIN (4)	GREEN
PORT 1-PIN (4)	WHITE



CABLE END:  
 OUTER SHEATH STRIPPED 100 mm  
 CONDUCTOR STRIP 5 mm

CLOSURE CAP

SAP no. 1203080677  
 Quantity 2

VOLTAGE RATING	10 - 30 VDC
AMPERAGE RATING PER PORT	2 A MAX/PORT 6 A MAX. TOTAL
PROTECTION	IP 67
OPERATING TEMPERATURE	-25°C / +90 °C

ITEM	COMPONENT	MATERIAL	FINISH
1	INSERT	PUR	BLACK
2	CONTAC SOCKET	BRASS	GOLD OVER NICKEL
3	O-RING	VITON	---
4	RECEPTACLE SHELL	BRASS	NICKEL PLATED
5	HOUSING	PBT	YELLOW
6	LABEL	ABS	WHITE
7	LENS	PA	CLEAR
8	CABLE	PUR	---

NEW RELEASE  
 EC NO: WEU2010-0248  
 DRWN:SBH 2009/12/23  
 CHKD:APOHL WEU 2009/12/23  
 APPR:INSTAUDIGEL 2010/01/29

QUALITY SYMBOLS	GENERAL TOLERANCES (UNLESS SPECIFIED)	
	mm	INCH
▽=0	± ---	± ---
∇=0	± ---	± ---
	± 0.3	± ---
	ANGULAR ± ---°	

DRAFT WHERE APPLICABLE  
 MUST REMAIN WITHIN DIMENSIONS

DIMENSION STYLE		SCALE	DESIGN UNITS
MM ONLY			METRIC
DRAWN BY	DATE	TITLE	
SBH	2009/12/23	M8-MPIS 8 PORT CABLE 3 POL OUTLINE	
CHECKED BY	DATE	MATERIAL NO.	
APOHL WEU	2009/12/23	1201130016	
APPROVED BY	DATE	DOCUMENT NO.	
INSTAUDIGEL	2010/01/29	SD-120113-014	
SIZE		SHEET NO.	
A3		1 OF 1	

THIRD ANGLE PROJECTION	
MOLEX INCORPORATED	
THIS DRAWING CONTAINS INFORMATION THAT IS PROPRIETARY TO MOLEX INCORPORATED AND SHOULD NOT BE USED WITHOUT WRITTEN PERMISSION	