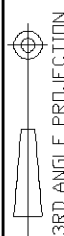


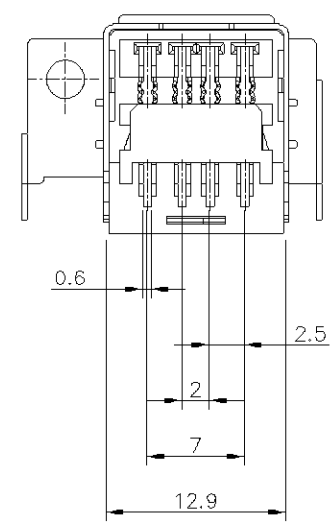
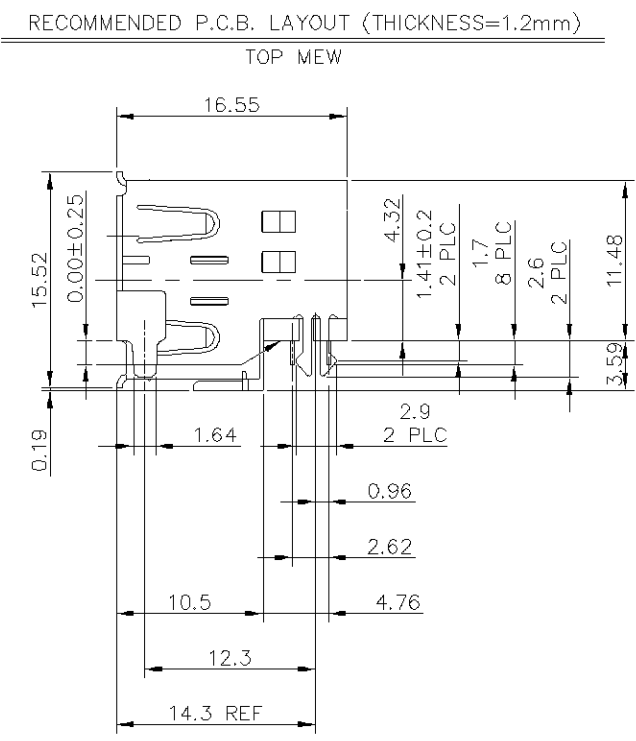
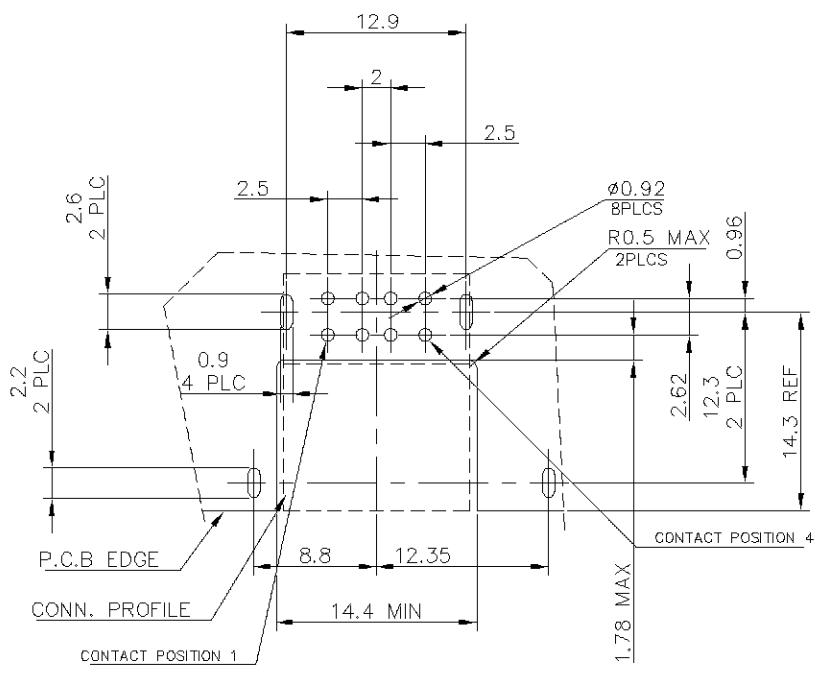
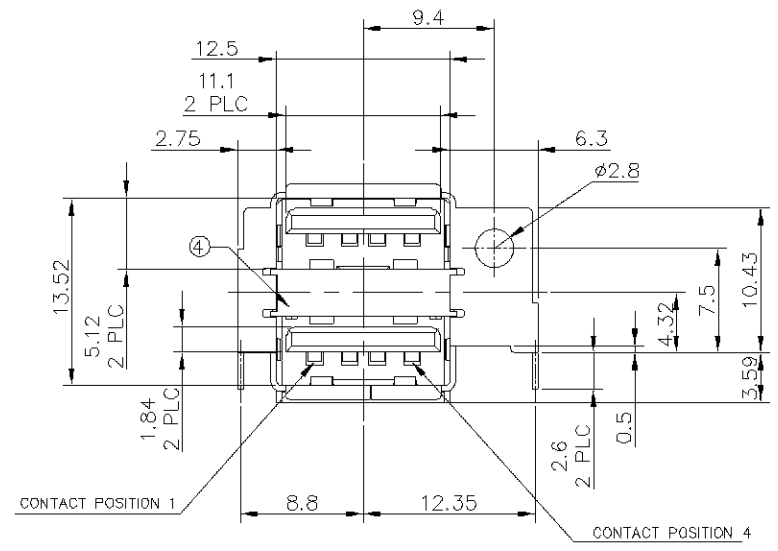
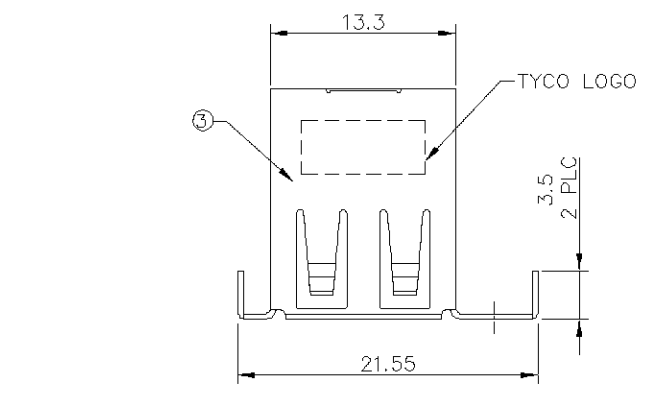
NUMBER
C-1734609



METRIC

THIS INFORMATION IS CONFIDENTIAL AND IS DISCLOSED TO YOU ON CONDITION THAT NO FURTHER DISCLOSURE IS MADE BY YOU TO OTHER THAN AMP PERSONNEL WITHOUT WRITTEN AUTHORIZATION FROM AMP (TAIWAN) LTD. DIMENSIONS IN MILLIMETERS. DO NOT SCALE PRINT.

PRINT DIST
DW



- NOTES;
- MATERIAL ;
 - ① HOUSING: LCP, UL94V-0, COLOR: BLACK
 - ② CONTACT : PHOSPHOR BRONZE.
 - ③ FRONT SHIELD : BRASS.
 - ④ GROUNDING STRIP : BRASS.
 - FINISH:
 - CONTACT : 30u" MIN GOLD PLATED IN CONTACT AREA.
 - 100u" MIN. TIN (MATTE) PLATED ON SOLDER TAILS,
 - 50u" MIN. NICKEL UNDERPLATED ALL OVER.
 - FRONT SHIELD : 50u"~100u" TIN (MATTE) PLATED ON ENTIRE WITH 50u" MIN. NICKEL UNDERPLATE OVER ALL.
 - GROUNDING STRIP : 120u" MIN. NICKEL PLATED

1734609-1
PART NUMBER

TOLERANCES UNLESS OTHERWISE SPECIFIED: 0 PLC ± 0.3 1 PLC ± 0.3 2 PLC ± 0.3 3 PLC ± 0.3 ANGLES ± 3'	DWN S. HOU 28-MAY-2004	TYCO HOLDINGS (BERMUDA) VII LTD. TAIWAN BRANCH
MATERIAL SEE NOTE	CHK W.J. KE 28-MAY-2004	
FINISH SEE NOTE	APVD W.J. KE 28-MAY-2004	NAME USB STACKED 2 PORT, STACKED OFFSET TYPE.
	PRODUCT SPEC 108-57379	LDC SIZE DRAWING NO REV DW A3 C-1734609 0
	APPLICATION SPEC -	SCALE SHEET -- 1 OF 2
	WEIGHT	

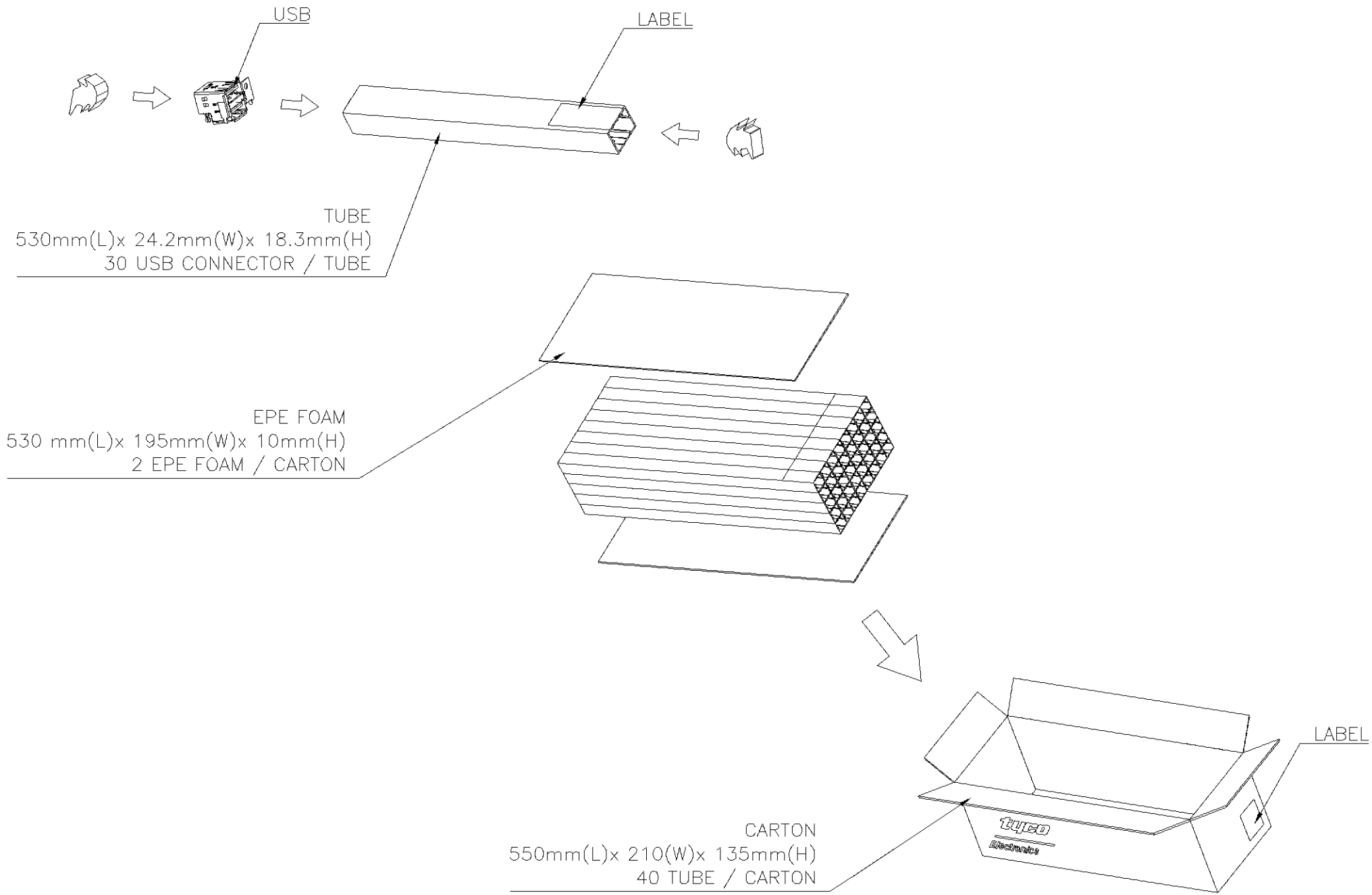
0	FIRST RELEASED	FZ00-0099-04	SH WK	28MAY 2004
LTR	REVISION RECD	ECN	DWN CHK	DATE

NUMBER
C-1734609

3RD ANGLE PROJECTION

METRIC

THIS INFORMATION IS CONFIDENTIAL AND IS DISCLOSED TO YOU ON CONDITION THAT NO FURTHER DISCLOSURE IS MADE BY YOU TO OTHER THAN AMP PERSONNEL WITHOUT WRITTEN AUTHORIZATION FROM AMP (TAIWAN) LTD. DIMENSIONS IN MILLIMETERS. DO NOT SCALE PRINT.



- 1. 30PCS/TUBE
- 2. 1,200PCS/CARTON

PRINT DIST
DW

	SEE SHEET 1			
LTR	REVISION RECRD	ECN	DWN CHK	DATE

TOLERANCES UNLESS OTHERWISE SPECIFIED:		DWN	S. HOU	tyco TYCO HOLDINGS (BERMUDA)	
0 PLC ±			28-MAY-2004	VII LTD. TAIWAN BRANCH	
1 PLC ±		CHK	W.J. KE	NAME	
2 PLC ±			28-MAY-2004	USB STACKED 2 PORT, STACKED OFFSET TYPE.	
3 PLC ±					
ANGLES ±					
MATERIAL	SEE NOTE	APVD	W.J. KE		
		PRODUCT SPEC	28-MAY-2004		
FINISH	SEE NOTE	APPLICATION SPEC		LDC	SIZE
				DW	A ₃
		WEIGHT		DRAWING NO	REV
				C-1734609	0
				SCALE	SHEET
				--	2 OF 2