

202-200-SP SERIES

Single-phase voltage monitor



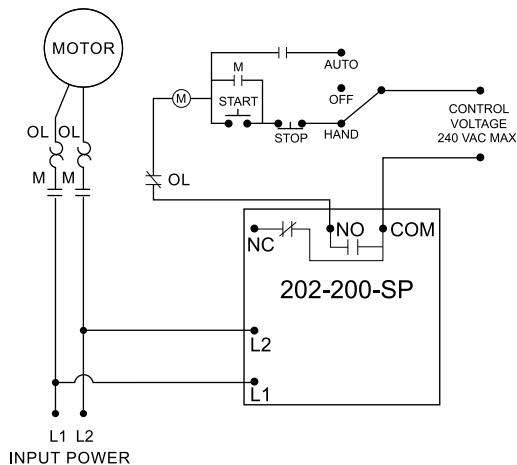
Description

The 202-200-SP Series voltage monitor is designed to protect single-phase motors regardless of size. It can be used with 190V-240VAC, 50/60Hz motors to prevent damage caused by incoming power problems.

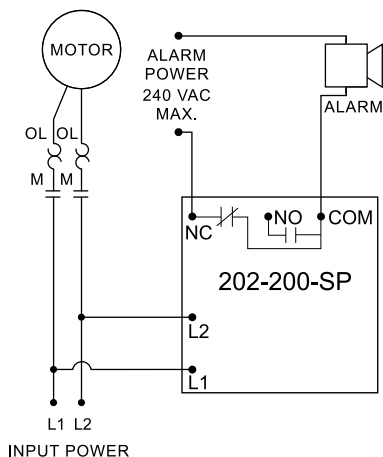
A unique microcontroller-based voltage-sensing circuit constantly monitors the voltage to detect harmful power line conditions. When a harmful condition is detected, the MotorSaver's output relay is deactivated after a specified trip delay. The output relay reactivates after power line conditions return to an acceptable level and a specified amount of time has elapsed (restart delay). The trip delay prevents nuisance tripping due to rapidly fluctuating power line conditions.

Wiring Diagram

TYPICAL WIRING DIAGRAM FOR MODEL 202-200-SP WITH MOTOR CONTROL



TYPICAL WIRING DIAGRAM FOR MODEL 202-200-SP WITH ALARM CONTROL



Features & Benefits

FEATURES	BENEFITS
Proprietary microcontroller based circuitry	Constant monitoring of voltage to detect harmful power line conditions, even before a motor starts
Fixed trip delay 4s	Prevents nuisance tripping due to rapidly fluctuating power line conditions
Adjustable restart delay (Manual, 2-300s)	Allows staggered start up of multiple motors, after a fault, to prevent a low voltage condition
Advanced LED indication	Provides diagnostics which can be used for troubleshooting and to determine relay status
One screw mounting and standard 1/4" quick connect terminals	Fast installation and compact size perfect for panel assembly or OEM applications

Ordering Information

MODEL	LINE VOTAGE	DESCRIPTION
202-200-SP	190-240VAC	SPDT, high and low voltage protection
202-200-SP-NHV	190-240VAC	SPDT, low voltage protection only

202-200-SP SERIES

Specifications

Input Characteristics

Line Voltage:	190-240VAC
202-200-SP, 202-200-SP-NHV	190-240VAC
Frequency	50*/60Hz

Functional Characteristics

Low Voltage (% of setpoint)	
Trip	90%
Reset	93%
High Voltage (% of setpoint) (not available on -NHV model)	
Trip	110%
Reset	107%
Trip Delay Time:	
High and Low Voltage	4 seconds
Restart Delay Time:	
After a Fault or Complete Power Loss	Manual, 2-300 seconds adj.

Output Characteristics

Output Contact Rating (SPDT)	
Pilot Duty	480VA @ 240VAC
General Purpose	10A @ 240VAC

General Characteristics

Temperature Range	-40° to 70°C (-40° to 158°F)
Trip & Reset Accuracy	±1%
Repeatability	±0.5%
Input to Output Dielectric Termination	1480 Vrms (min.) 0.25" male quick connect
Maximum Input Power	5 W
Relative Humidity	95%, non-condensing
Transient Protection	IEC 61000-4-5, ±4kV
Safety Marks	
UL, UL Recognized	UL508 (File #E68520)
Dimensions	H 63.5 mm (2.5"); W 63.5 mm (2.5"); D 35.56 mm (1.4")
Weight	0.5 lb. (8 oz., 226.8 g)
Mounting Method	1/4" socket head cap screw (customer supplied)

*Note: 50Hz will increase all delay timers by 20%.