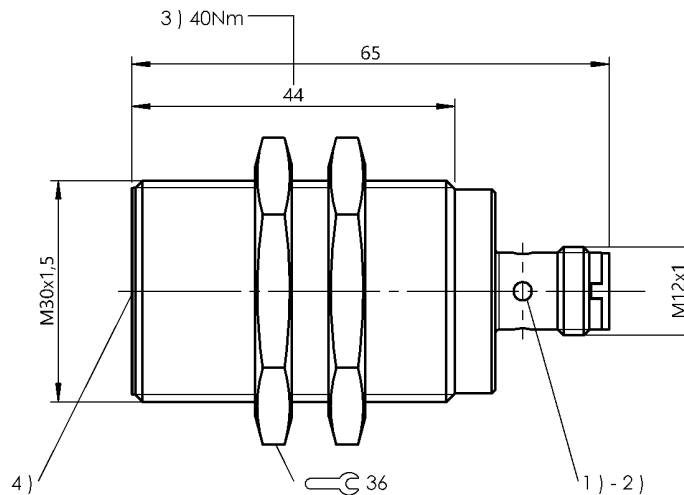


HF (13.56 MHz)  
 BIS M-4A7-082-401-07-S4  
 Order Code: BIS01E7

**BALLUFF**



1) LED 4x on circumference, 2) Power/Status, 3) Tightening torque, 4) Sensing surface



### Basic features

Antenna type	round
Principle of operation	Read/write head

### Electrical connection

Connection	M12x1-Male, 4-pin, A-coded
------------	----------------------------

### Electrical data

Current consumption max. at 24 V DC	150 mA
Current consumption max. at 24 V DC without load	35 mA
Current consumption max., note	Output (Pin2) may be loaded with a maximum of 100mA
Operating voltage $U_b$	18...30 VDC Supports only LPS/Class 2
Residual ripple max.	1.3 Vpp

### Environmental conditions

Ambient temperature	0...70 °C
Continuous shock load	yes
EN 60068-2-32 Free fall	yes
IP rating	IP68, IP69K
Storage temperature	-20...85 °C

### Functional Characteristics

Supported data carrier types	DIN ISO 15693 DIN ISO 15693 (High Memory)
------------------------------	-------------------------------------------------------

### Functional safety

MTTF (40 °C)	273.7 a
--------------	---------

### IO-Link

IO-Link Profil IDs	0x0030 BLOB 0x0031 BLOB FW-Update 0x4000 Identification and Diagnosis
Supported IO-Link Profiles	Common Profile BLOB Profile FW-Update Profile

### Interface

Interface	IO-Link 1.1
-----------	-------------

### Material

Housing material	1.4404 stainless steel
Material sensing surface	PBT, GF30

HF (13.56 MHz)  
BIS M-4A7-082-401-07-S4  
Order Code: BIS01E7

# BALLUFF

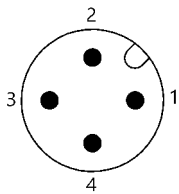
## Mechanical data

Application weight 61.00 g  
Dimension Ø 30 x 65 mm

## Installation

metal-free (clear zone)  
on metal  
flush in metal  
Size M30x1.5

## Connector Drawings



1) 2)

IO-Link

1 — L+ (24 V)

2 — I/Q

3 — L- (GND)

4 — C/Q