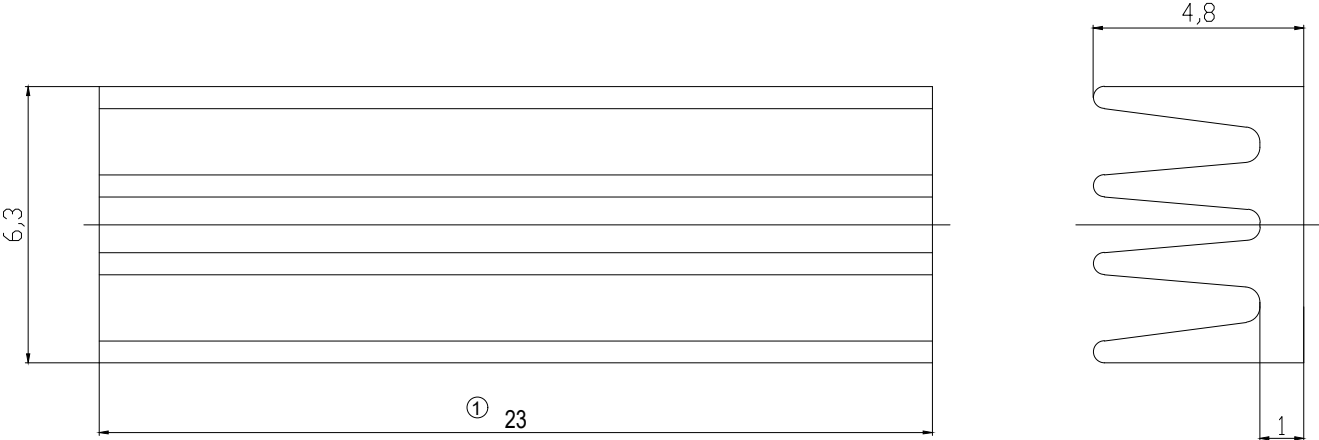



	1	2	3	4	5	6	7				
A									A		
B											
C											
D											
E											
F											
	<p>Notes:</p> <p>① Material: AL6063 Finish: Black anodized</p>										
G	RoHS compliant Unit:mm	Scale	Free				Date	Name	Description:		
		TOLERANCE					Drawn	11.06.2013	Š.Slivka		
		① X	±0.4				Approved	07.09.2022	Daniel	ASSMANN WSW-No.	
										V5618C	
H		DIM	TOL	① Change of production plant and update	07.09.2022	Daniel			Drawing-No.	ASS 1873 HS	rev01
				② Drawn	11.06.2013	Š.Slivka			Customer-No.	SHEET	1 / 1
		Angle	TOL	Id.	Modification	Date			Name		
	1	2	3	4	5	6	7				