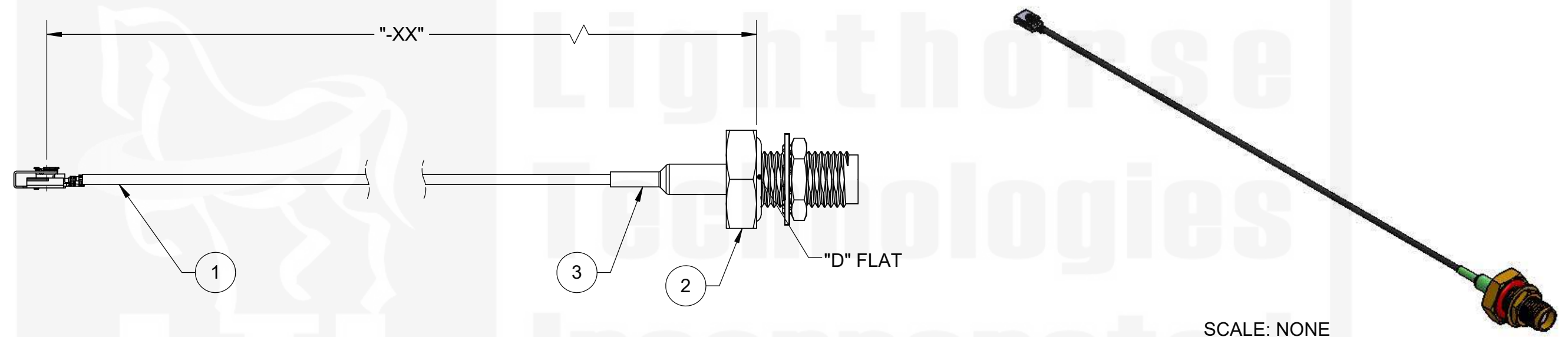


REVISIONS				
REV	ECR	DESCRIPTION	DRAWN	DATE
1		ENGINEERING RELEASE	P. BURDGE	10/30/2020

-XX IN THE ENDING OF THE CABLE PART NUMBER IS CALLING OUT THE LENGTH OF THE ASSEMBLY FROM CENTER TO MATING FLANGE OF CONNECTORS. EXAMPLES SHOWN BELOW:



LTI P/N: CB1.13-IPXLK-SAF3OGTX15-4IN (4 INCHES)  
 CB1.13-IPXLK-SAF3OGTX15-10IN (10 INCHES)



SCALE: NONE

ITEM	PART NUMBER	DESCRIPTION	QTY
1	IPXLK-113	I-PEX (MHF1), LOCKING, 1.13 MICRO COAX	1
2	SASF13ROGT-113-X15	SMA, JACK, BLKHD MNT, O-RING, IP-67, CABLE CRIMP	1
3	1635F-1/8"	.125 (1/8) DIA, .75 LENGTH, GREEN	1

IPX® AND MHF® ARE REGISTERED TRADEMARKS OF I-PEX CO., LTD. CORPORATION

DO NOT SCALE DRAWING TOLERANCES UNLESS OTHERWISE SPECIFIED DIMENSIONS ARE IN MILLIMETERS X = ±0.5 X.X = ±0.25 X.XX = ±0.13 ANGLE = ±30'		 <b>Lighthouse Technologies</b> San Diego, CA WWW.RFCONNECTOR.COM	TITLE: CABLE ASSY, I-PEX MHF1 LOCKING, R/A JACK, CRIMP TO SMA, JACK, BLKHD MNT, O-RING, IP-67, 1.13 MICRO COAX	
THIRD ANGLE PROJECTION 			SIZE: B	PART/DWG. NO: CB1.13-IPXLK-SAF3OGTX15-xxIN
CUSTOMER APPROVAL		SCALE: 2:1 FILE NAME SHEET 1 OF 1		
SIGN / DATE:				
ENG APPR:				
CHECKED:				
DRAWN: P. BURDGE	10/30/2020			
NAME	DATE			

PROPRIETARY AND CONFIDENTIAL  
 UNLESS OTHERWISE SPECIFIED: THIS DOCUMENT CONTAINS LIGHTHORSE TECHNOLOGIES INFORMATION. REPRODUCTION, USE, DISCLOSURE OR TRANSMITTAL OF ALL OR ANY PART OF THIS DOCUMENT IS PROHIBITED EXCEPT TO THE EXTENT APPROVED IN WRITING BY AN AUTHORIZED REPRESENTATIVE OF LIGHTHORSE TECHNOLOGIES. LIGHTHORSE TECHNOLOGIES RESERVES ALL RIGHTS UNDER PATENTS, TRADEMARKS, COPYRIGHTS AND TRADE SECRETS. COPY RIGHTS OF LIGHTHORSE TECHNOLOGIES 2011, ALL RIGHTS RESERVED.

