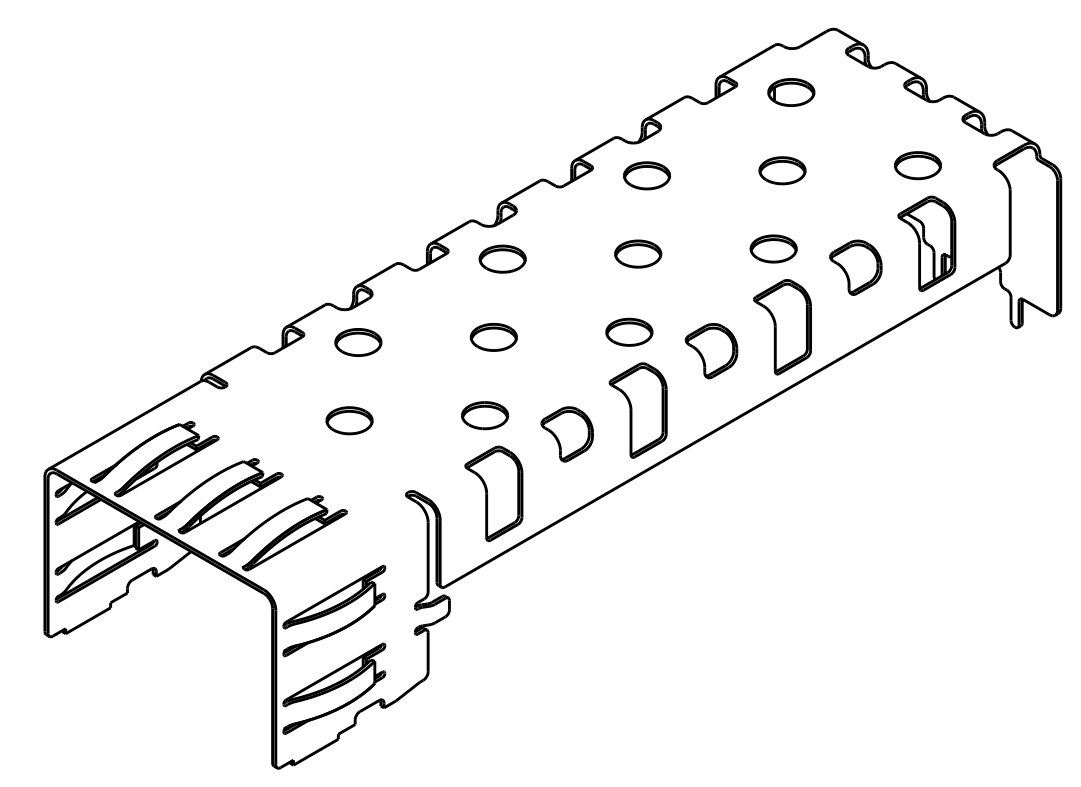
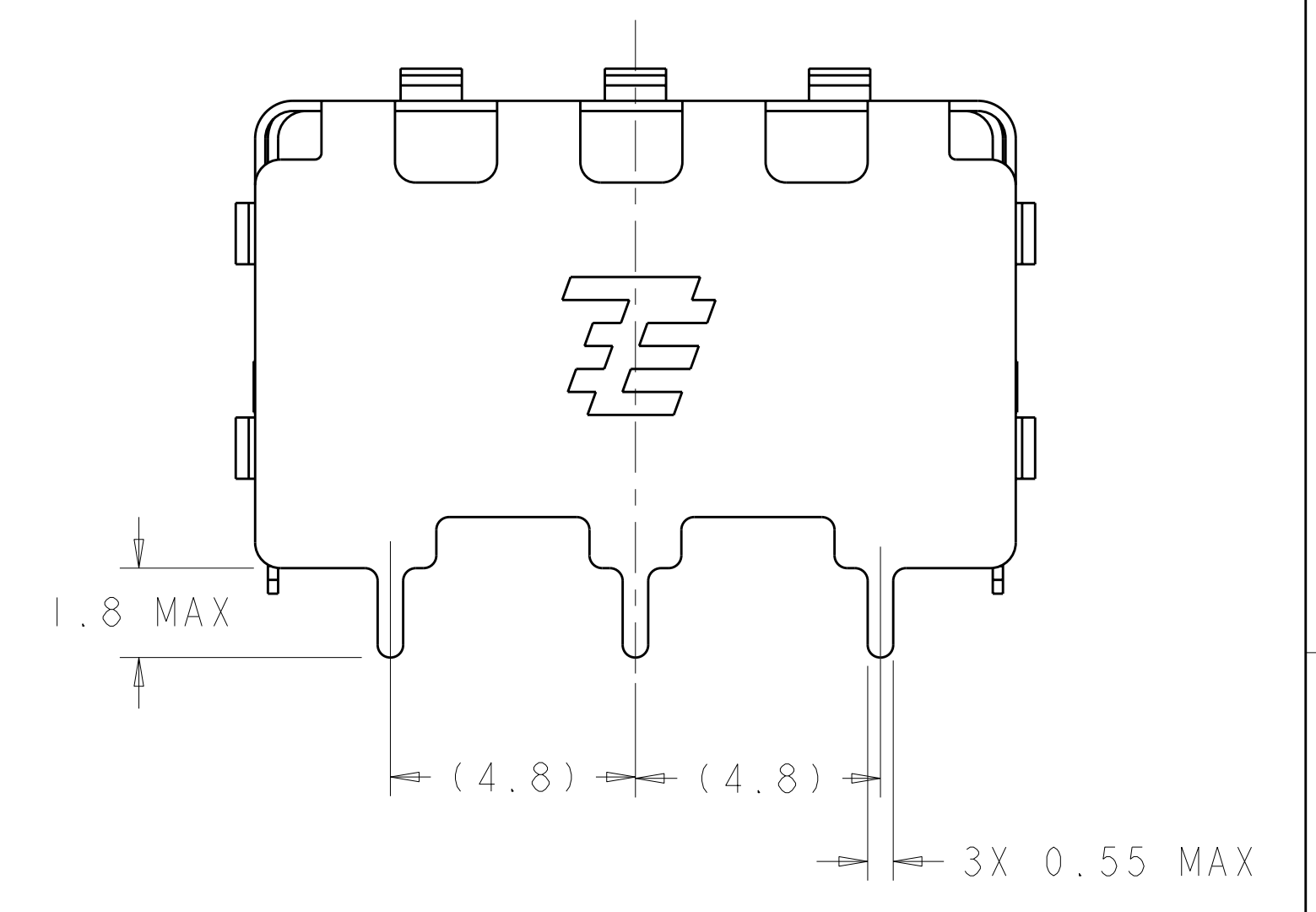
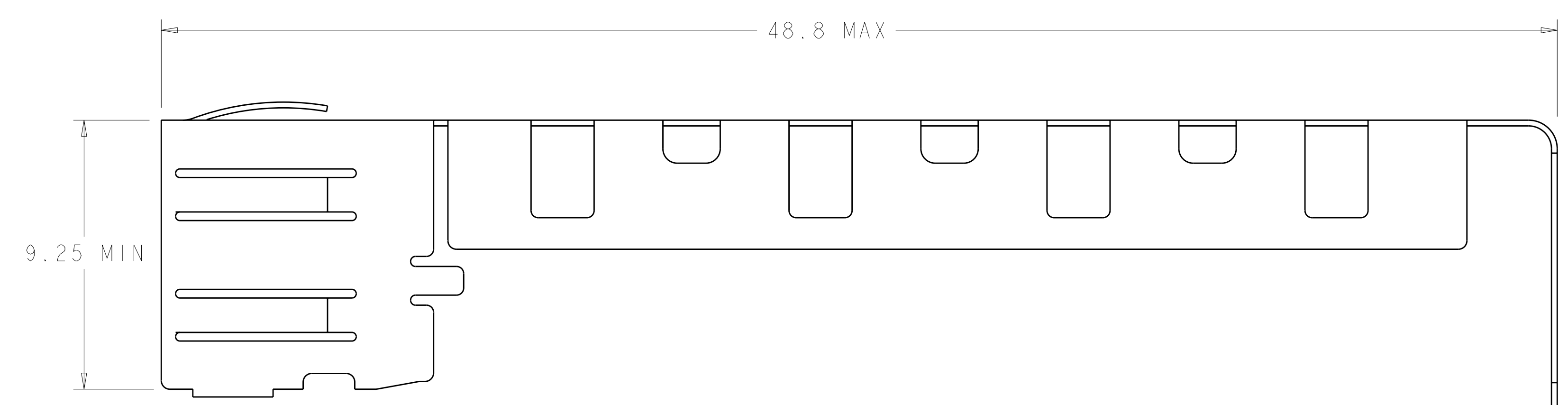
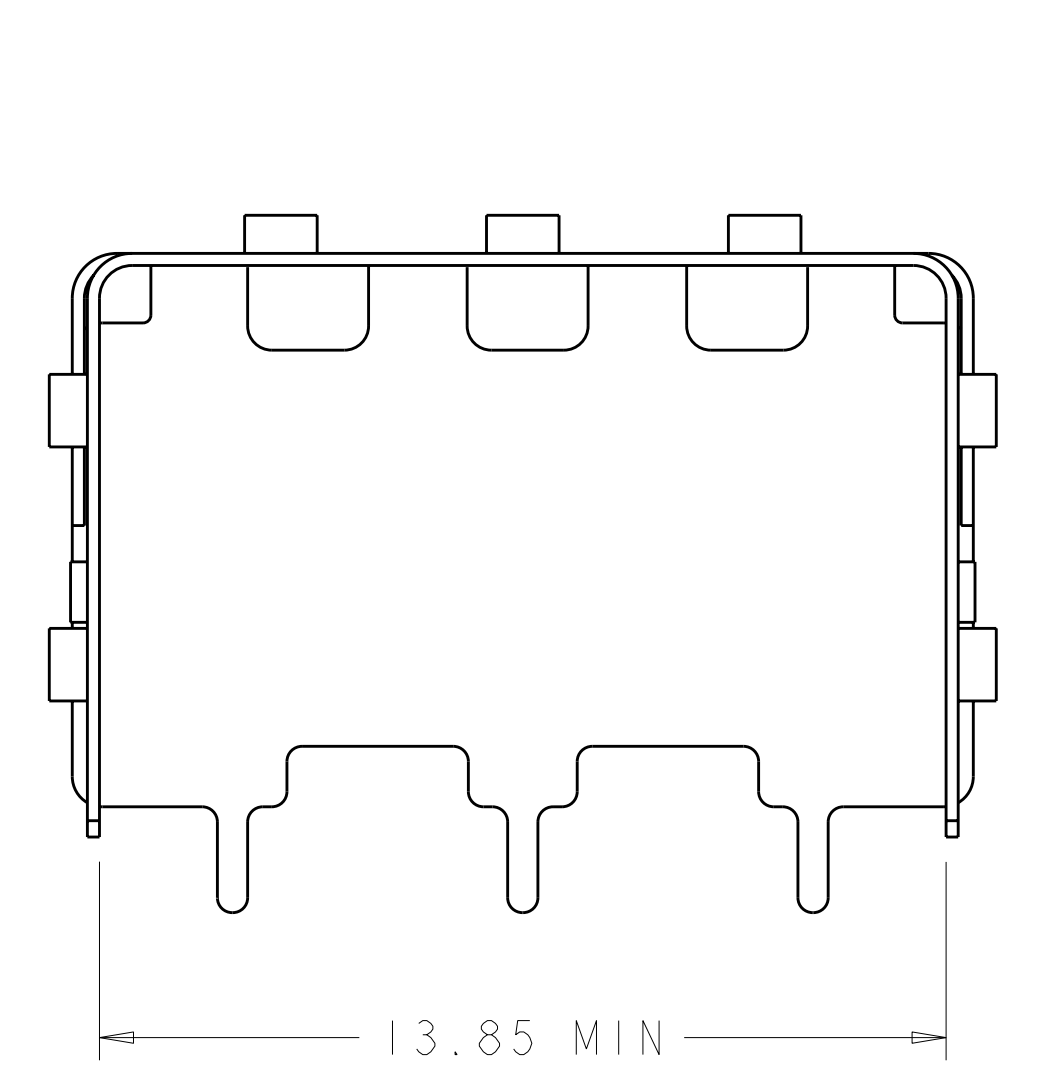
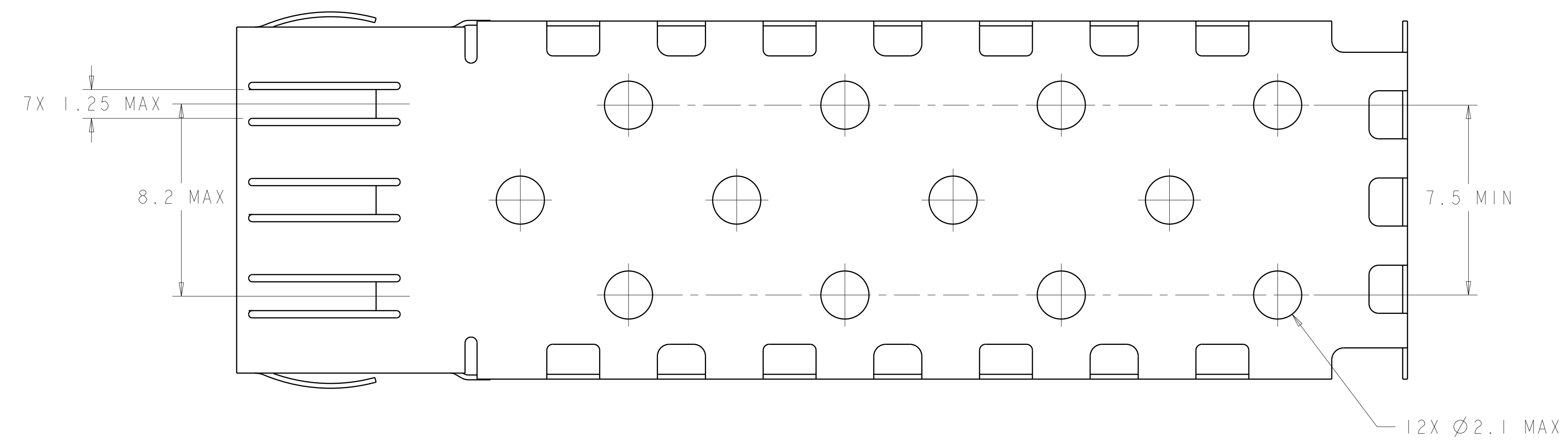


| LOC | DIST | REVISIONS | | | |
|-----|------|-----------|-----------|----|------|
| GP | 00 | REV | DATE | BY | APPD |
| | | B1 | 21MAR2011 | RK | HMR |
| | | | | | |
| | | | | | |



SCALE 3:1

- △ COPPER ALLOY, 0.2 THICK.
- △ 1.25 MICROMETERS MIN TIN OVER 0.125 MICROMETERS MIN NICKEL. BARE EDGES PERMISSIBLE.
- 3. PACKAGED 60 PIECES PER TRAY.



6367035-1
PART NUMBER

| | | | | |
|---|--|------------------------------|----------------------|--|
| THIS DRAWING IS A CONTROLLED DOCUMENT. | | DWN: J. GEBACE 27JAN05 | TE Connectivity | |
| DIMENSIONS: mm | | CHK: J. KOPPENHEFFER 27JAN05 | CAGE, TOP SFP | |
| TOLERANCES UNLESS OTHERWISE SPECIFIED: | | APVD: - | NAME: - | |
| 0 PLC ± 1 PLC ± 2 PLC ± 3 PLC ± 4 PLC ± ANGLES ± FINISH ± | | PRODUCT SPEC: 108-1950 | SIZE: A100779 | |
| MATERIAL: △ | | APPLICATION SPEC: 114-13017 | CAGE CODE: C-6367035 | |
| FINISH: △ | | WEIGHT: - | DRAWING NO: 6367035 | |
| CUSTOMER DRAWING | | SCALE: 8:1 | SHEET 1 OF 1 REV: B1 | |