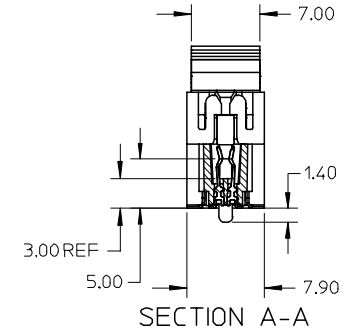
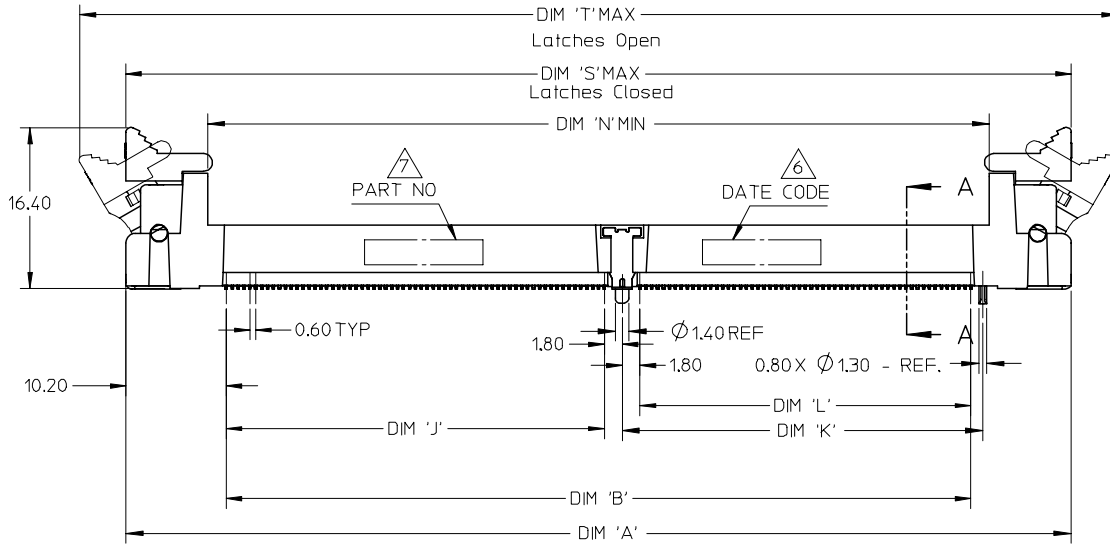
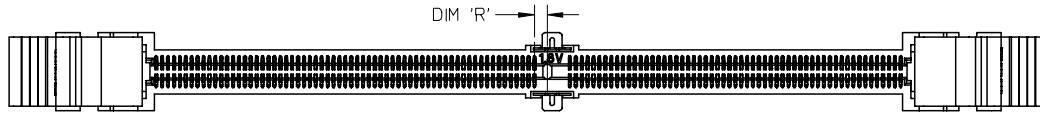


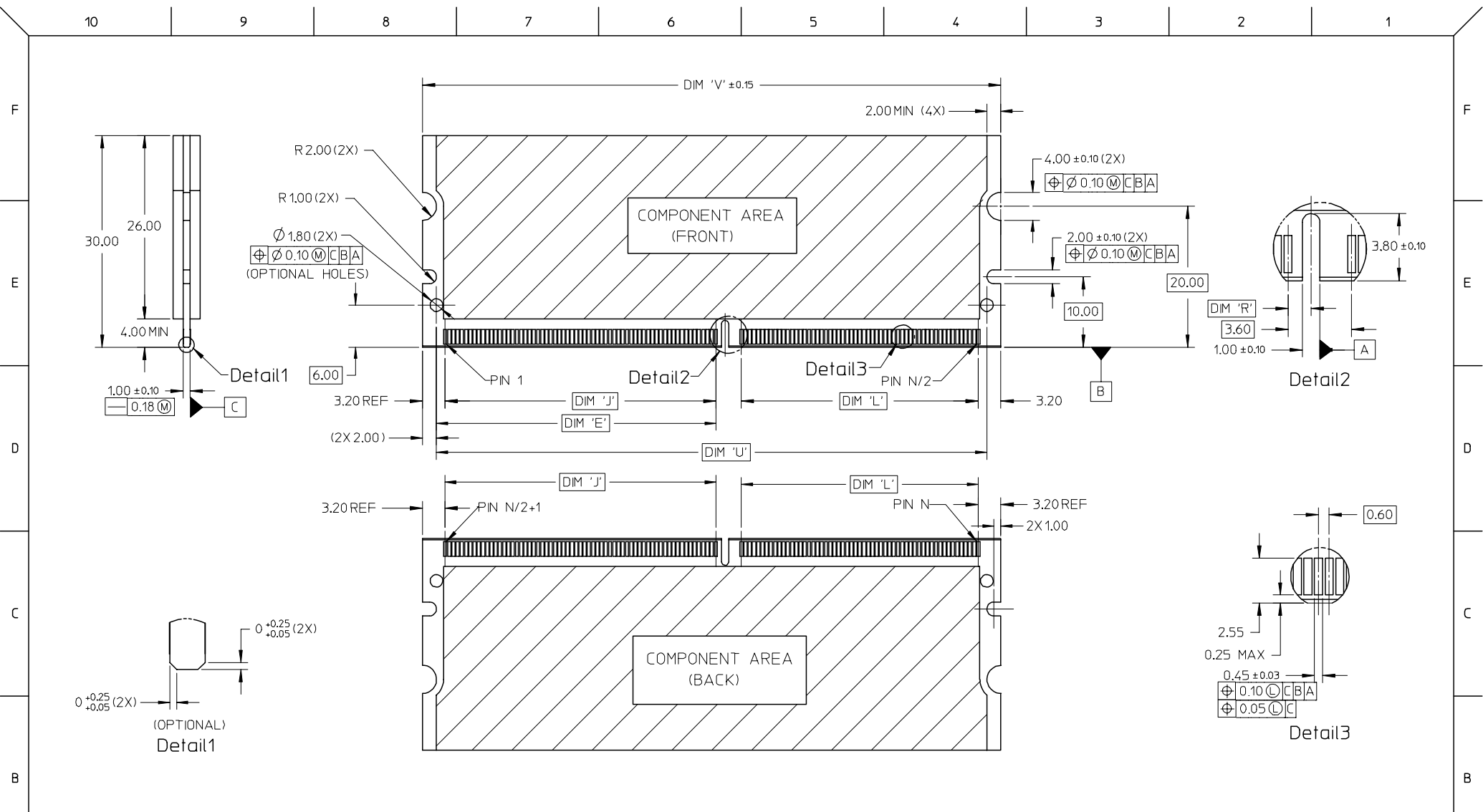
10 9 8 7 6 5 4 3 2 1

- NOTES :
- MATERIAL :
HOUSING : LIQUID CRYSTAL POLYMER, GLASS FILLED, UL 94V-0, COLOUR : BLACK
CONTACTS : COPPER ALLOY
LATCHES : HIGH TEMPERATURE NYLON, UL 94V-0 COLOUR : NATURAL (OFF-WHITE)
 - FINISH
CONTACT AREA : 0.76 MICROMETER (30 MICROINCH) MIN GOLD OVER
1.25 MICROMETER (50 MICROINCH) MIN NICKEL
SMT TAIL : 2.54 MICROMETER (100 MICROINCH) MIN TIN OVER
1.25 MICROMETER (50 MICROINCH) MIN NICKEL.
 - ACCEPTS 1.0 mm THICK MEMORY MODULE PER JEDEC MO-244 FOR 244 CKTS AND MO-258 FOR 200 CKTS.
 - PRODUCT SPECIFICATION : PS-87782-027
 - PRODUCT SHALL BE PACKED IN TRAY. PLS REFER TO SHEET 5
 - DATE CODE SHALL BE MARKED LEGIBLY AS SHOWN : YYDD
 - PART NUMBER SHALL BE MARKED LEGIBLY AS SHOWN. 87782-XXXX (REFER TO TABLE)

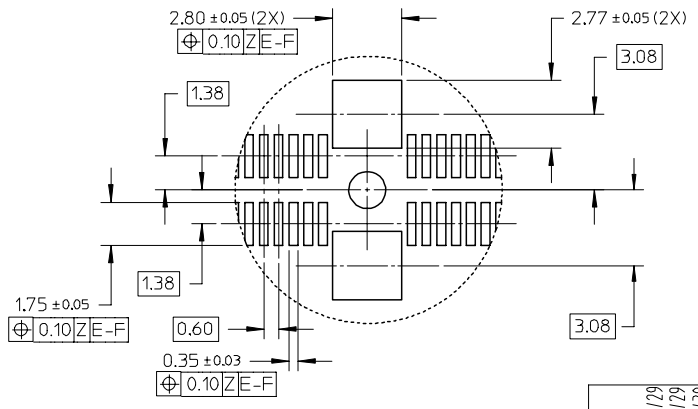
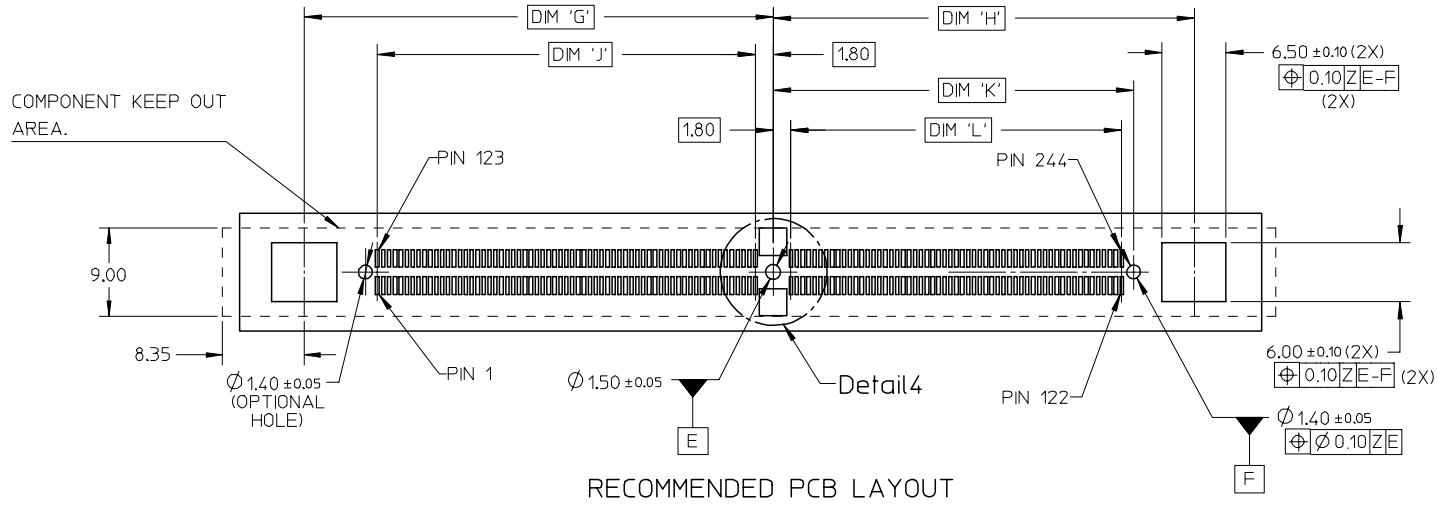


REVISE DESIGN EC NO: S2008-0403 DRWN: TYANG01 CHKD: CGTAN APPR: SILENI	2007/11/29 2007/11/29 2007/11/30	DESCRIPTION REV	QUALITY SYMBOLS	GENERAL TOLERANCES (UNLESS SPECIFIED)	DIMENSION STYLE	SCALE	DESIGN UNITS	THIRD ANGLE PROJECTION
			$\nabla=0$ $\triangle=0$	mm INCH	MM ONLY	NTS	METRIC	
			4 PLACES ± --- ± --- 3 PLACES ± --- ± --- 2 PLACES ± 0.13 ± --- 1 PLACE ± 0.25 ± --- ANGULAR ± 1 °	DRAWN BY DATE MLONG 2003/01/07 CHECKED BY DATE PTL IM 2003/07/16 APPROVED BY DATE SKTOH 2003/07/17	TITLE MINI DIMM, 0.60MM PITCH 200/244 CKTS, VERTICAL	MOLEX INCORPORATED		
			DRAFT WHERE APPLICABLE MUST REMAIN WITHIN DIMENSIONS	MATERIAL NO. SEE TABLE	DOCUMENT NO. SD-87782-001	SHEET NO. 1 OF 5		

9 8 7 6 5 4 3 2 1



REVISE DESIGN EC NO: S2008-0403 DRWN: TYANG01 CHKD: CGTAN APPR: SILENI	2007/11/29 2007/11/29 2007/11/30	QUALITY SYMBOLS ▽=0 ▽=0	GENERAL TOLERANCES (UNLESS SPECIFIED)		DIMENSION STYLE MM ONLY		SCALE NTS	DESIGN UNITS METRIC	THIRD ANGLE PROJECTION			
			4 PLACES ± --- ± ---	3 PLACES ± --- ± ---	mm	INCH	DRAWN BY MLONG	DATE 2003/01/07	TITLE MINI DIMM, 0.60MM PITCH 200/244 CKTS, VERTICAL			
			2 PLACES ± 0.13 ± ---	1 PLACE ± 0.25 ± ---	ANGULAR ± 1 °		CHECKED BY PTL IM	DATE 2003/07/16	APPROVED BY SKTOH			
			DRAFT WHERE APPLICABLE MUST REMAIN WITHIN DIMENSIONS		SEE TABLE		MATERIAL NO. SKTOH		DOCUMENT NO. SD-87782-001		SHEET NO. 2 OF 5	

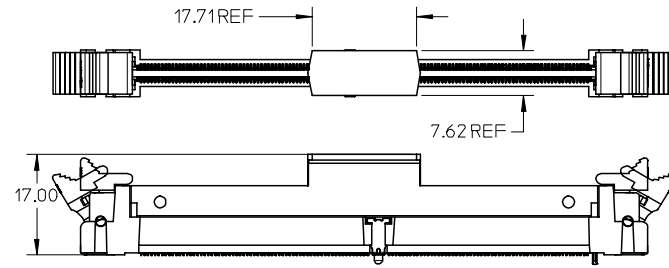


Detail 4

REVISE DESIGN EC NO: S2008-0403 DRWN: TYANG01 CHKD: CGTAN APPR: SILENI	DESCRIPTION 2007/11/29 2007/11/29 2007/11/30	QUALITY SYMBOLS	GENERAL TOLERANCES (UNLESS SPECIFIED)		DIMENSION STYLE MM ONLY		SCALE NTS	DESIGN UNITS METRIC	THIRD ANGLE PROJECTION		
		$\nabla=0$ $\nabla C=0$	mm	INCH	DRAWN BY MLONG	DATE 2003/01/07	TITLE	MINI DIMM, 0.60MM PITCH 200/244 CKTS, VERTICAL			
			4 PLACES ± ---	± ---	CHECKED BY PTL IM	DATE 2003/07/16					
			3 PLACES ± ---	± ---	APPROVED BY SKTOH	DATE 2003/07/17	MOLEX INCORPORATED DOCUMENT NO. SD-87782-001				
		2 PLACES ± 0.13	± ---	MATERIAL NO.		SHEET NO.					
		1 PLACE ± 0.25	± ---	DRAFT WHERE APPLICABLE MUST REMAIN WITHIN DIMENSIONS		SEE TABLE		3 OF 5			
		ANGULAR ± 1 °		THIS DRAWING CONTAINS INFORMATION THAT IS PROPRIETARY TO MOLEX INCORPORATED AND SHOULD NOT BE USED WITHOUT WRITTEN PERMISSION							

10 9 8 7 6 5 4 3 2 1

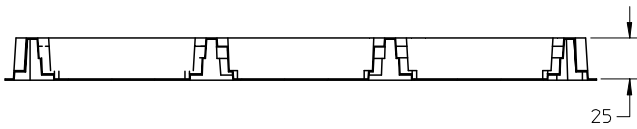
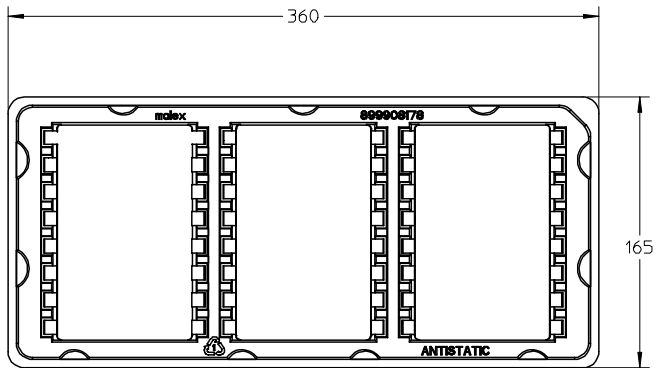
FOR OPTIONS WITH COVER



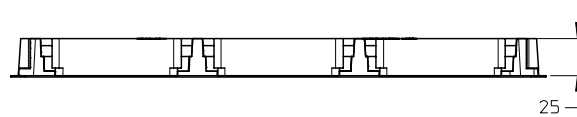
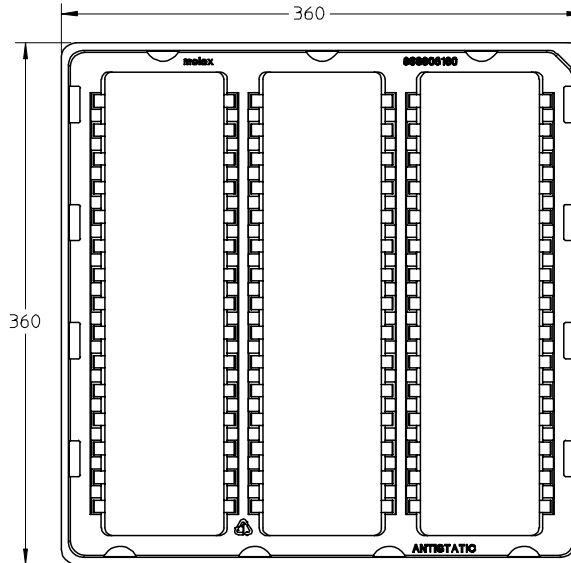
CKT SIZE 'N'	PART NUMBER	VOLTAGE KEY	DIM 'R'	DIM 'J'	DIM 'K'	DIM 'L'	DIM 'N'	DIM 'A'	DIM 'S'	DIM 'T'	DIM 'E'	DIM 'U'	DIM 'V'	DIM 'G'	DIM 'H'	DIM 'B'	COVER	TRAY
244	87782-2001	1.8 V	1.30	38.40	36.60	33.60	79.00	96.00	96.00	106.20	39.60	78.00	82.00	47.60	42.75	75.60	NIL	TYPE A
	87782-2002	2.5 V	2.30															
244	87782-2003	1.8 V	1.30	38.40	36.60	33.60	79.00	96.00	96.00	106.20	39.60	78.00	82.00	47.60	42.75	75.60	YES	TYPE B
	87782-2004	2.5 V	2.30															
244	87782-2005	1.8 V	1.30	38.40	36.60	33.60	79.00	96.00	96.00	106.20	39.60	78.00	82.00	47.60	42.75	75.60	YES	TYPE A
	87782-2006	2.5 V	2.30															
244	87782-2007	1.8 V	1.30	38.40	36.60	33.60	79.00	96.00	96.00	106.20	39.60	78.00	82.00	47.60	42.75	75.60	YES	TYPE C
	87782-2008	2.5 V	2.30															
244	87782-2009	1.8 V	1.30	38.40	36.60	33.60	79.00	96.00	96.00	106.20	39.60	78.00	82.00	47.60	42.75	75.60	YES	TYPE D
	87782-2010	2.5 V	2.30															
200	87782-2201	1.8 V	1.30	23.40	38.40	35.40	65.80	82.80	82.80	93.00	24.60	64.80	68.80	32.60	44.55	62.40	NIL	TYPE A
	87782-2202	2.5 V	2.30															
200	87782-2203	1.8 V	1.30	23.40	38.40	35.40	65.80	82.80	82.80	93.00	24.60	64.80	68.80	32.60	44.55	62.40	YES	TYPE A
	87782-2204	2.5 V	2.30															

REVISE DESIGN EC NO: S2008-0403 DRWN: TYANG01 2007/11/29 CHKD: CGTAN 2007/11/29 APPR: SHLENI 2007/11/30	QUALITY SYMBOLS ▽=0 ▽=0	GENERAL TOLERANCES (UNLESS SPECIFIED)		DIMENSION STYLE MM ONLY		SCALE NTS	DESIGN UNITS METRIC	THIRD ANGLE PROJECTION		
		4 PLACES ± --- ± --- 3 PLACES ± --- ± --- 2 PLACES ± 0.13 ± --- 1 PLACE ± 0.25 ± ---		mm INCH		DRAWN BY DATE MLONG 2003/01/07		TITLE MINI DIMM, 0.60MM PITCH 200/244 CKTS, VERTICAL		
		ANGULAR ± 1 °		APPROVED BY DATE PTL IM 2003/07/16		APPROVED BY DATE SKTOH 2003/07/17		MOLEX INCORPORATED		
		DRAFT WHERE APPLICABLE MUST REMAIN WITHIN DIMENSIONS		MATERIAL NO.		SEE TABLE		DOCUMENT NO. SD-87782-001		SHEET NO. 4 OF 5

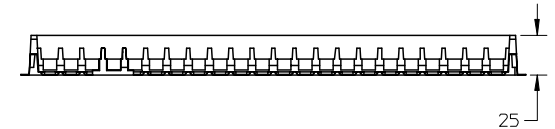
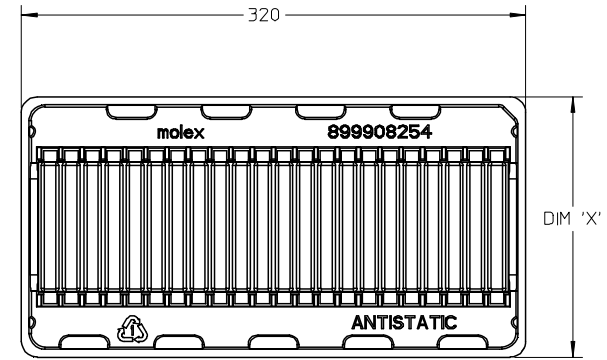
9 8 7 6 5 4 3 2 1



TRAY TYPE A
QTY OF CAVITY: 3 X 8 = 24 PCS
COLOUR: TRANSPARENT



TRAY TYPE B
QTY OF CAVITY: 3 X 15 = 45 PCS
COLOUR: TRANSPARENT



TRAY TYPE AND COLOUR - SEE TABLE
QTY OF CAVITY: 1 X 22 = 22 PCS
COLOUR - SEE TABLE

TRAY TYPE	DIM 'X'	TRAY COLOUR
C	165	TRANSPARENT
D	160	WHITE

REVISE DESIGN EC NO: S2008-0403 DRWN: TYANG01 CHKD: CGTAN APPR: SILENI	2007/11/29 2007/11/29 2007/11/30	DESCRIPTION REV	QUALITY SYMBOLS	GENERAL TOLERANCES (UNLESS SPECIFIED)	DIMENSION STYLE	SCALE	DESIGN UNITS	THIRD ANGLE PROJECTION																						
			$\nabla=0$ $\nabla C=0$	<table border="1"> <tr> <th></th> <th>mm</th> <th>INCH</th> </tr> <tr> <td>4 PLACES</td> <td>± ---</td> <td>± ---</td> </tr> <tr> <td>3 PLACES</td> <td>± ---</td> <td>± ---</td> </tr> <tr> <td>2 PLACES</td> <td>± 0.13</td> <td>± ---</td> </tr> <tr> <td>1 PLACE</td> <td>± 0.25</td> <td>± ---</td> </tr> <tr> <td colspan="3">ANGULAR ± 1 °</td> </tr> </table>		mm	INCH	4 PLACES	± ---	± ---	3 PLACES	± ---	± ---	2 PLACES	± 0.13	± ---	1 PLACE	± 0.25	± ---	ANGULAR ± 1 °			MM ONLY	NTS	METRIC					
				mm	INCH																									
			4 PLACES	± ---	± ---																									
3 PLACES	± ---	± ---																												
2 PLACES	± 0.13	± ---																												
1 PLACE	± 0.25	± ---																												
ANGULAR ± 1 °																														
DRAFT WHERE APPLICABLE MUST REMAIN WITHIN DIMENSIONS	<table border="1"> <tr> <th>SIZE</th> <th>DESCRIPTION</th> <th>DATE</th> <th>TITLE</th> </tr> <tr> <td>MLONG</td> <td>DRAWN BY</td> <td>2003/01/07</td> <td rowspan="4"> MINI DIMM, 0.60MM PITCH 200/244 CKTS, VERTICAL </td> </tr> <tr> <td>PTL IM</td> <td>CHECKED BY</td> <td>2003/07/16</td> </tr> <tr> <td>SKTOH</td> <td>APPROVED BY</td> <td>2003/07/17</td> </tr> <tr> <td></td> <td>MATERIAL NO.</td> <td></td> </tr> </table>	SIZE	DESCRIPTION	DATE	TITLE	MLONG	DRAWN BY	2003/01/07	MINI DIMM, 0.60MM PITCH 200/244 CKTS, VERTICAL	PTL IM	CHECKED BY	2003/07/16	SKTOH	APPROVED BY	2003/07/17		MATERIAL NO.		<table border="1"> <tr> <th>SCALE</th> <th>DESIGN UNITS</th> <th>THIRD ANGLE PROJECTION</th> </tr> <tr> <td>NTS</td> <td>METRIC</td> <td></td> </tr> </table>	SCALE	DESIGN UNITS	THIRD ANGLE PROJECTION	NTS	METRIC		<table border="1"> <tr> <th>DOCUMENT NO.</th> <th>SHEET NO.</th> </tr> <tr> <td>SD-87782-001</td> <td>5 OF 5</td> </tr> </table>	DOCUMENT NO.	SHEET NO.	SD-87782-001	5 OF 5
SIZE	DESCRIPTION	DATE	TITLE																											
MLONG	DRAWN BY	2003/01/07	MINI DIMM, 0.60MM PITCH 200/244 CKTS, VERTICAL																											
PTL IM	CHECKED BY	2003/07/16																												
SKTOH	APPROVED BY	2003/07/17																												
	MATERIAL NO.																													
SCALE	DESIGN UNITS	THIRD ANGLE PROJECTION																												
NTS	METRIC																													
DOCUMENT NO.	SHEET NO.																													
SD-87782-001	5 OF 5																													
			SEE TABLE	<table border="1"> <tr> <th>MOLEX</th> <th>MOLEX INCORPORATED</th> </tr> <tr> <td></td> <td></td> </tr> </table>	MOLEX	MOLEX INCORPORATED																								
MOLEX	MOLEX INCORPORATED																													