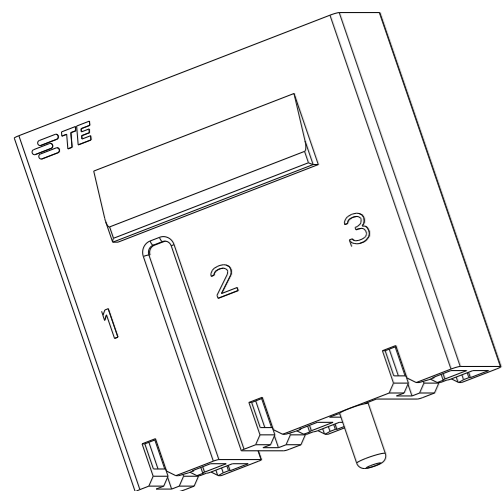


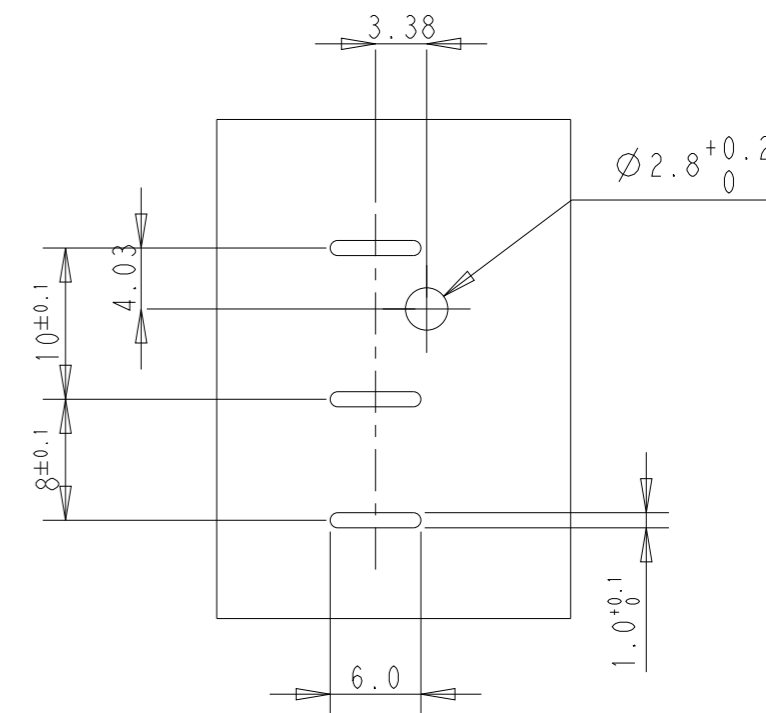
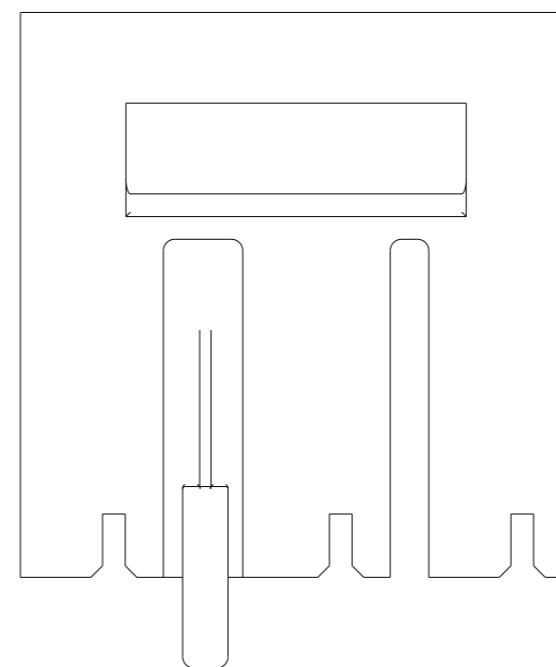
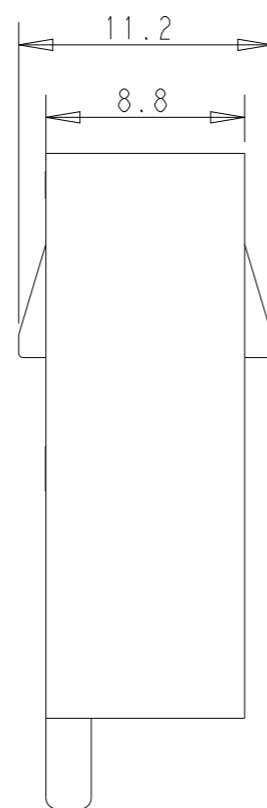
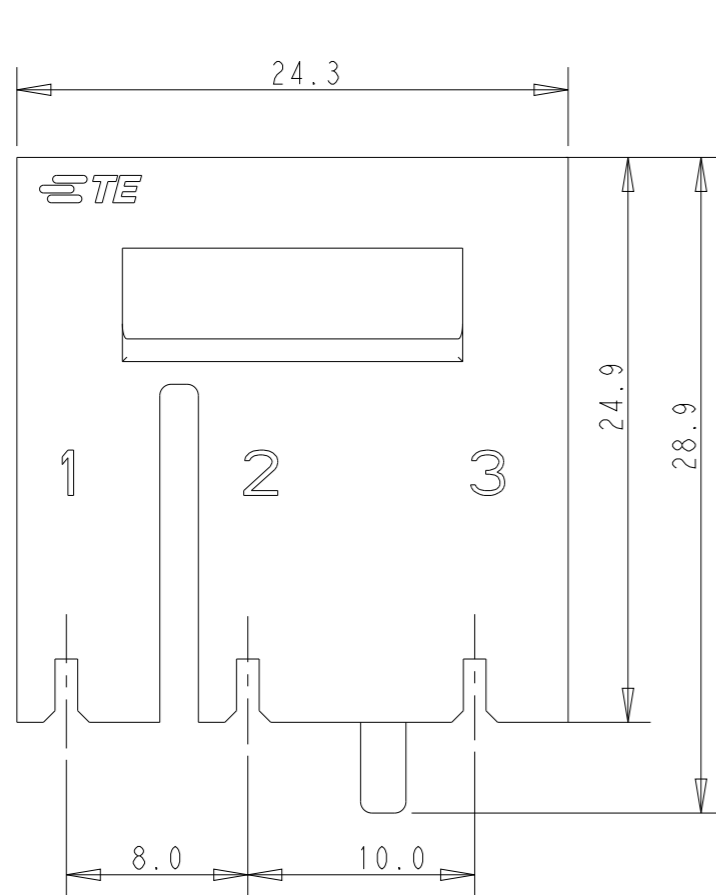
P	LTR	DESCRIPTION	DATE	DWN	APVD
A		INITIAL RELEASE	09NOV21	DT	EW



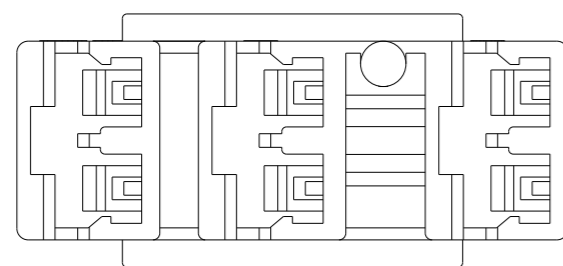
SCALE 2:1

NOTE:  
 1. APPLICABLE CONTACT PN: 2379911-1  
 2. MATERIAL: PBT UL94 V-0  
 3. GWT 750 VERSION, ACCORDING TO IEC 60335-1  
 4. THE TAB MUST BE PERPENDICULAR TO THE PCB WITHIN THE TOLERANCE  $90^{\circ} +1-2^{\circ}$


△ PCB LAYOUT WHEN USING TAPING TAB: 2358709-1



△ PCB LAYOUT



NATURAL	PBT	2379907-1
COLOR	MATERIAL	PN

THIS DRAWING IS A CONTROLLED DOCUMENT.		DWN DON TANG 08DEC2020	 TE Connectivity	
DIMENSIONS: mm		CHK DAISY LI 08DEC2020		
TOLERANCES UNLESS OTHERWISE SPECIFIED:		APVD ERIC WANG 08DEC2020	NAME 250 HSG. F-SPRING REC.10mm 3P	
0 PLC ±0.25		PRODUCT SPEC 108-106568	-	
1 PLC ±0.2		APPLICATION SPEC -	-	
2 PLC ±0.1		WEIGHT -	SIZE A3	CAGE CODE 00779
3 PLC ±-		CUSTOMER DRAWING	DRAWING NO C-2379907	
4 PLC ±-			SCALE 3:1	SHEET 1 OF 1
ANGLES ±-			RESTRICTED TO -	
FINISH -			REV A	
MATERIAL -				