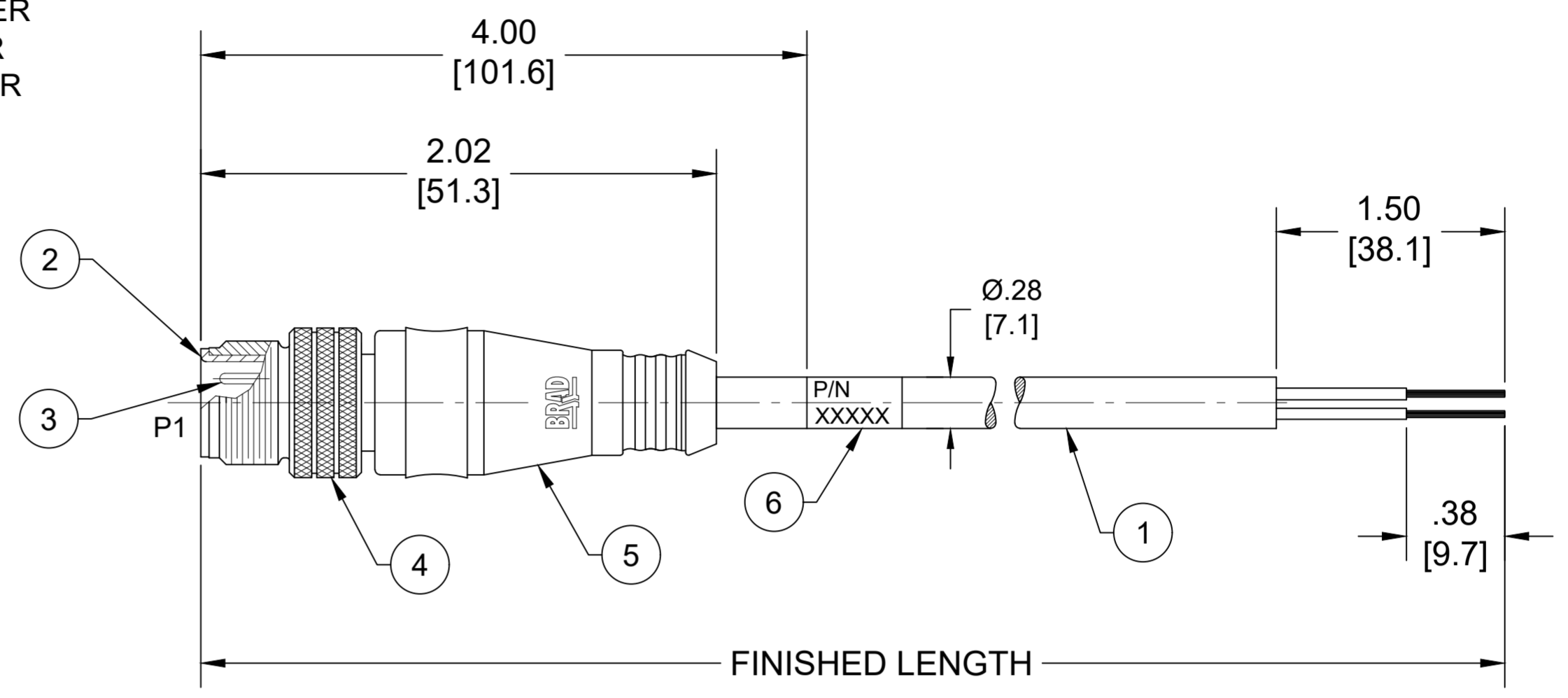
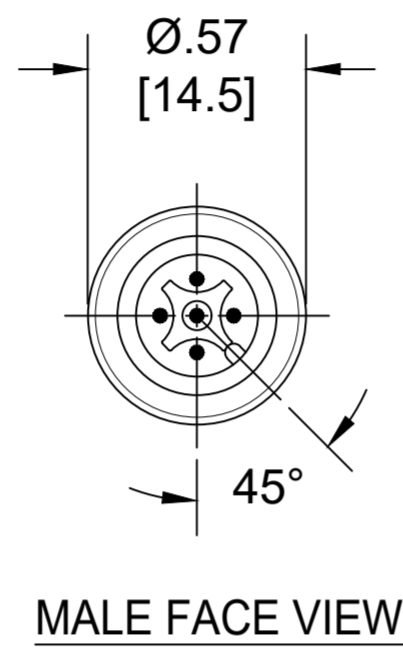
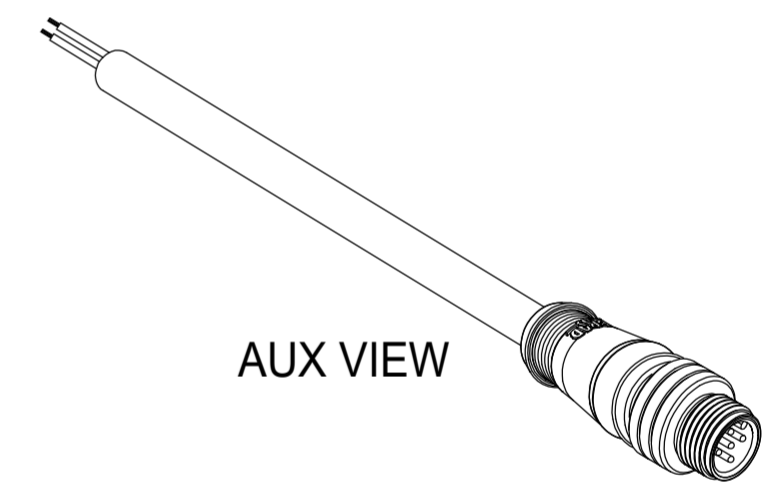


PART NUMBER LEGEND
805006K03M010

FINISHED LENGTH
M005 = 0.5 METER
M010 = 1 METER
M100 = 10 METER



- NOTES:**
1. MATERIAL: AS NOTED
 2. FINISH: AS NOTED
 3. ELECTRICAL:
VOLTAGE: 250V
CURRENT: 4A
 4. TEMP RATING: -20° TO +105°C
 5. PROTECTION: IP67 (WHEN MATED)
 6. COUPLING THREAD: M12X1
 7. UL RECOGNIZED FILE: E152210
CSA CERTIFIED FILE: LR6837
 8. ALL DIMENSIONS ARE FOR REFERENCE
UNLESS TOLERANCED OR NOTED OTHERWISE



P1

1	BROWN
2	WHITE
3	BLUE
4	BLACK
5	GRAY

CABLE LENGTH TOLERANCES

< .3M [1FT]	+19mm-0 [+ .75in-0]
.3 - .9M [1 - 3FT]	+44.5mm-0 [+1.75in-0]
.9 - 1.8M [3 - 6FT]	+55.6mm-0 [+2.19in-0]
1.8 - 3.7M [6 - 12FT]	+88.9mm-0 [+3.50in-0]
3.7 - 7.3M [12 - 24FT]	+165.1mm-0 [+6.50in-0]
7.3-14.6M [24 - 48FT]	+317.5mm-0 [+12.50in-0]
14.6 - 30.5M [48-100FT]	+622.3mm-0 [+24.50in-0]
OVER 30M [100FT]	+2% OF FINISHED LENGTH

WIRING DIAGRAM

ITEM	DESCRIPTION	MATERIAL	FINISH
6	WRAP LABEL	VINYL	BLACK/YELLOW
5	OVERMOLD	TPC	YELLOW
4	COUPLING NUT	BRASS	TEFLON/NICKEL
3	CONTACT PIN	COPPER ALLOY	GOLD OVER NICKEL
2	MALE INSERT	PUR	BLACK
1	CABLE #18AWG (C)	TPE JACKET	YELLOW

FUNCTIONAL SYMBOLS FA=0 FC=0 FP=0	DIMENSION UNITS	SCALE	CURRENT REV DESC: CABLE CHANGED TO 18AWG. REVISED FLEX DATA	
	INCH/MM	NTS		
	GENERAL TOLERANCES (UNLESS SPECIFIED)			
		mm	INCH	
DIVISIONAL SYMBOLS	4 PLACES	±----	±----	EC NO: 715560
	3 PLACES	±----	±----	DRWN: RSTONE 2022/07/26
	2 PLACES	±----	±----	CHK'D: MZIELINSKI 2022/07/27
	1 PLACE	±----	±----	APPR: BWOODMAN 2022/08/05
	0 PLACES	±----	±----	INITIAL REVISION:
	ANGULAR TOL ± --- °			DRWN: BWOODMAN 2009/08/17
	DRAFT WHERE APPLICABLE MUST REMAIN WITHIN DIMENSIONS			APPR: JFMURPHY 2009/08/21
		THIRD ANGLE PROJECTION	DRAWING	SERIES
			C-SIZE	120065
			MATERIAL NUMBER	CUSTOMER
			SEE CHART	GENERAL MARKET
			DOCUMENT NUMBER	DOC TYPE/DOC PART/REVISION
			SD-120065-021	PSD 001 C
				SHEET NUMBER
				1 OF 1