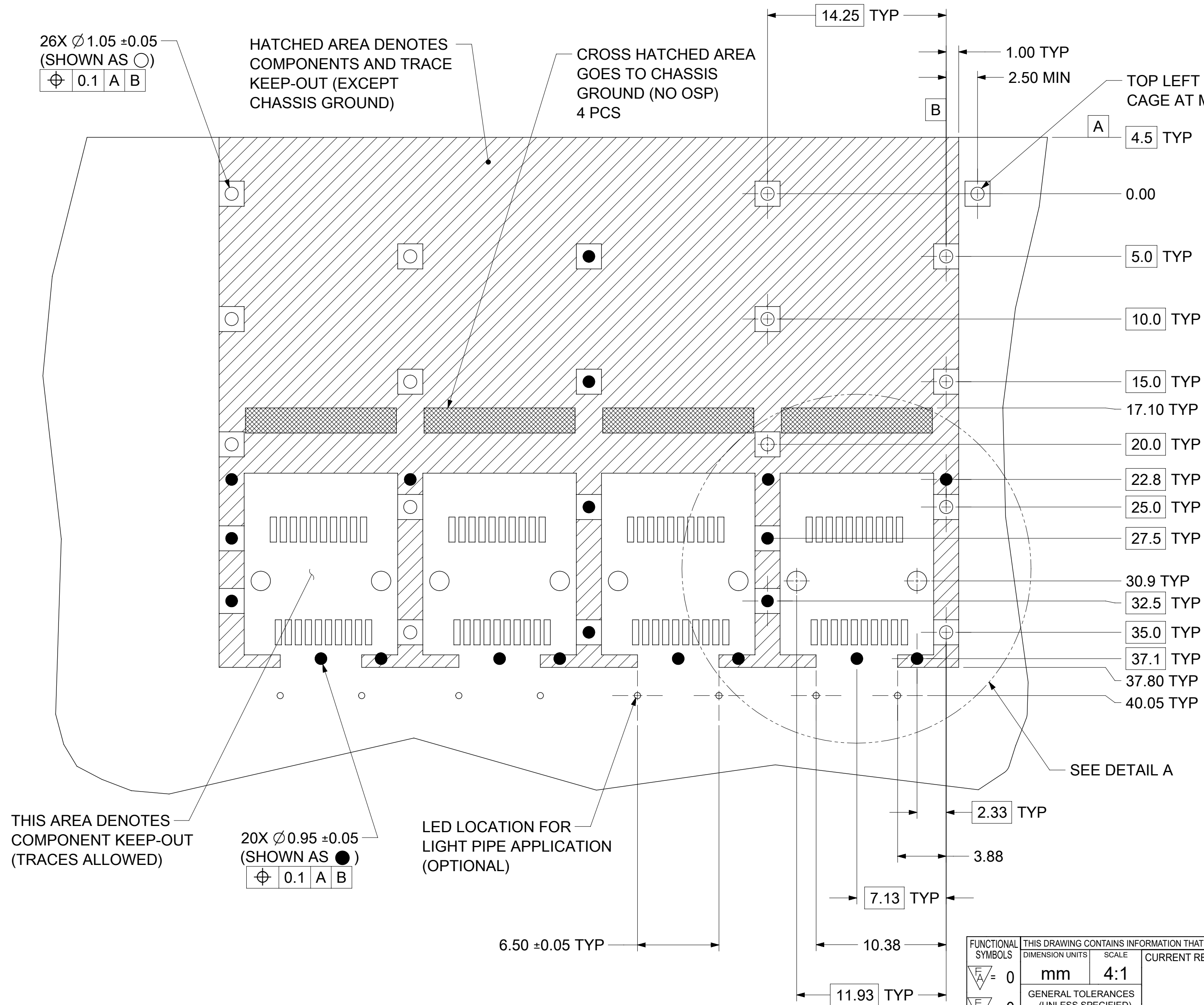


- NOTES:
- MATERIAL:  
 CAGE: 0.25mm THICK COPPER ALLOY, NICKEL PLATED.  
 SPRING FINGERS: STAINLESS STEEL.  
 HEATSINK: ALUMINUM, BLACK ANODIZED  
 HEATSINK SPRING CLIP: STAINLESS STEEL.  
 UNDER BELLY GASKET: EMI GASKET.
  - PRESS FIT LEGS 3.05mm LONG:
  - PORTS ARE DESIGNED FOR SFP+ TRANSCEIVERS AND ARE COMPATIBLE WITH SFP TRANSCEIVERS. THE TOP SURFACE OF THE MODULE MUST BE FLAT (NO PRODUCT LABEL RECESS) AND THERMALLY CONDUCTIVE TO FUNCTION OPTIMALLY.
  - WELD SPOT MAY SHOW SLIGHT MATERIAL DISCOLORATION.
  - NO RoHS EXEMPTIONS.
  - 1.57mm MINIMUM PCB THICKNESS FOR SINGLE SIDED USE.
  - 3.0mm MINIMUM PCB THICKNESS FOR BELLY TO BELLY USE.
  - HEIGHT OF HEATSINK WITH MODULE INSERTED DIMENSION MAY BE LESS DUE TO MODULE AND HEATSINK VARIATIONS.

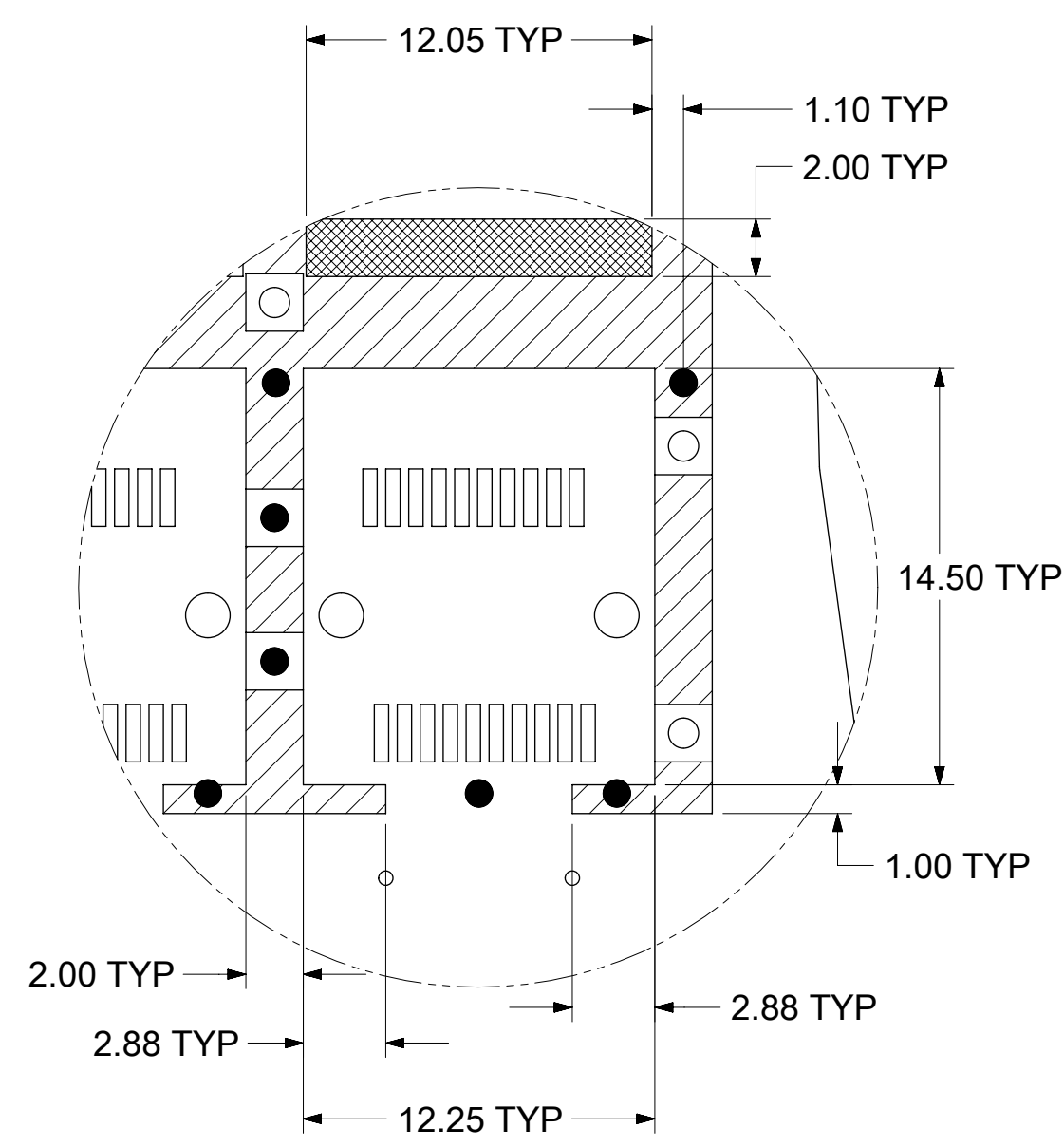
WEEK/YEAR DATE CODE TABLE	
WW	01 THRU 52 OR 53 EXAMPLE: 01 = FIRST WEEK OF YEAR 52 = LAST WEEK OF YEAR
YY	22, 23, 24 ETC. EXAMPLE: YEAR 2022 = 22

FUNCTIONAL SYMBOLS $\nabla_A = 0$ $\nabla_E = 0$ $\nabla_P = 0$	THIS DRAWING CONTAINS INFORMATION THAT IS PROPRIETARY TO MOLEX ELECTRONIC TECHNOLOGIES, LLC AND SHOULD NOT BE USED WITHOUT WRITTEN PERMISSION		CURRENT REV DESC: SEE REVISION TABLE	
	DIMENSION UNITS	SCALE		
	mm	2:1		
	GENERAL TOLERANCES (UNLESS SPECIFIED)			
DIVISIONAL SYMBOLS 4 PLACES ± 3 PLACES ± 2 PLACES ± 0.13 1 PLACE ± 0.25 0 PLACES ±	ANGULAR TOL	± 2.0°		
	EC NO: 707054			
	DRWN: ABHILT2		2022/04/07	
	CHK'D: TKUMARKC		2022/05/20	
APPR: SCHIEN		2022/05/23		
INITIAL REVISION:				
DRWN: ABHILT2		2022/04/07		
APPR: SCHIEN		2022/05/23		
DRAFT WHERE APPLICABLE MUST REMAIN WITHIN DIMENSIONS		THIRD ANGLE PROJECTION	DRAWING	SERIES
			C-SIZE	100114
DOCUMENT STATUS		DOC TYPE	DOC PART	REVISION
P1	RELEASE DATE	1001148432	PSD	ASY
2022/05/23	11:20:23	1001148432		A
MATERIAL NUMBER		CUSTOMER	SHEET NUMBER	
1001148432			1 OF 5	

# PCB LAYOUT FOR SINGLE SIDE MOUNT



## HOST CONNECTOR DETAIL



DETAIL A  
SCALE 4:1

- NOTES:
1. PADS AND VIAS CONNECT TO CHASSIS GROUND (RECOMMEND PADS TO BE 2.00mm SQUARE)
  2. RECOMMENDED THRU HOLE PLATING INCLUDES HASL, OSP, OR IMMERSION (GOLD, SILVER, OR TIN).
  3. CONNECTOR PAD LAYOUT PER SFP+ MSA WILL ACCOMMODATE MOLEX CONNECTOR SERIES 74441 OR EQUIVALENT.
  4. HOLE PATTERN REPEATS FOR EACH PORT. SPACING BETWEEN PORTS IS 14.25mm.

FUNCTIONAL SYMBOLS		THIS DRAWING CONTAINS INFORMATION THAT IS PROPRIETARY TO MOLEX ELECTRONIC TECHNOLOGIES, LLC AND SHOULD NOT BE USED WITHOUT WRITTEN PERMISSION		CURRENT REV DESC: SEE REVISION TABLE	
$\overline{A} = 0$	DIMENSION UNITS	SCALE			
$\overline{C} = 0$	mm	4:1			
$\overline{P} = 0$	GENERAL TOLERANCES (UNLESS SPECIFIED)				
	ANGULAR TOL ± 2.0°				
DIVISIONAL SYMBOLS		EC NO: 707054		2022/04/07	
4 PLACES ±	DRWN: ABHILT2		2022/05/20		
3 PLACES ±	CHK'D: TKUMARKC		2022/05/23		
2 PLACES ± 0.13	APPR: SCHIEN				
1 PLACE ± 0.25	INITIAL REVISION:				
0 PLACES ±	DRWN: ABHILT2		2022/04/07		
DRAFT WHERE APPLICABLE MUST REMAIN WITHIN DIMENSIONS		APPR: SCHIEN		2022/05/23	
THIRD ANGLE PROJECTION		DRAWING		SERIES	
		C-SIZE		100114	
MATERIAL NUMBER		CUSTOMER		SHEET NUMBER	
1001148432				2 OF 5	

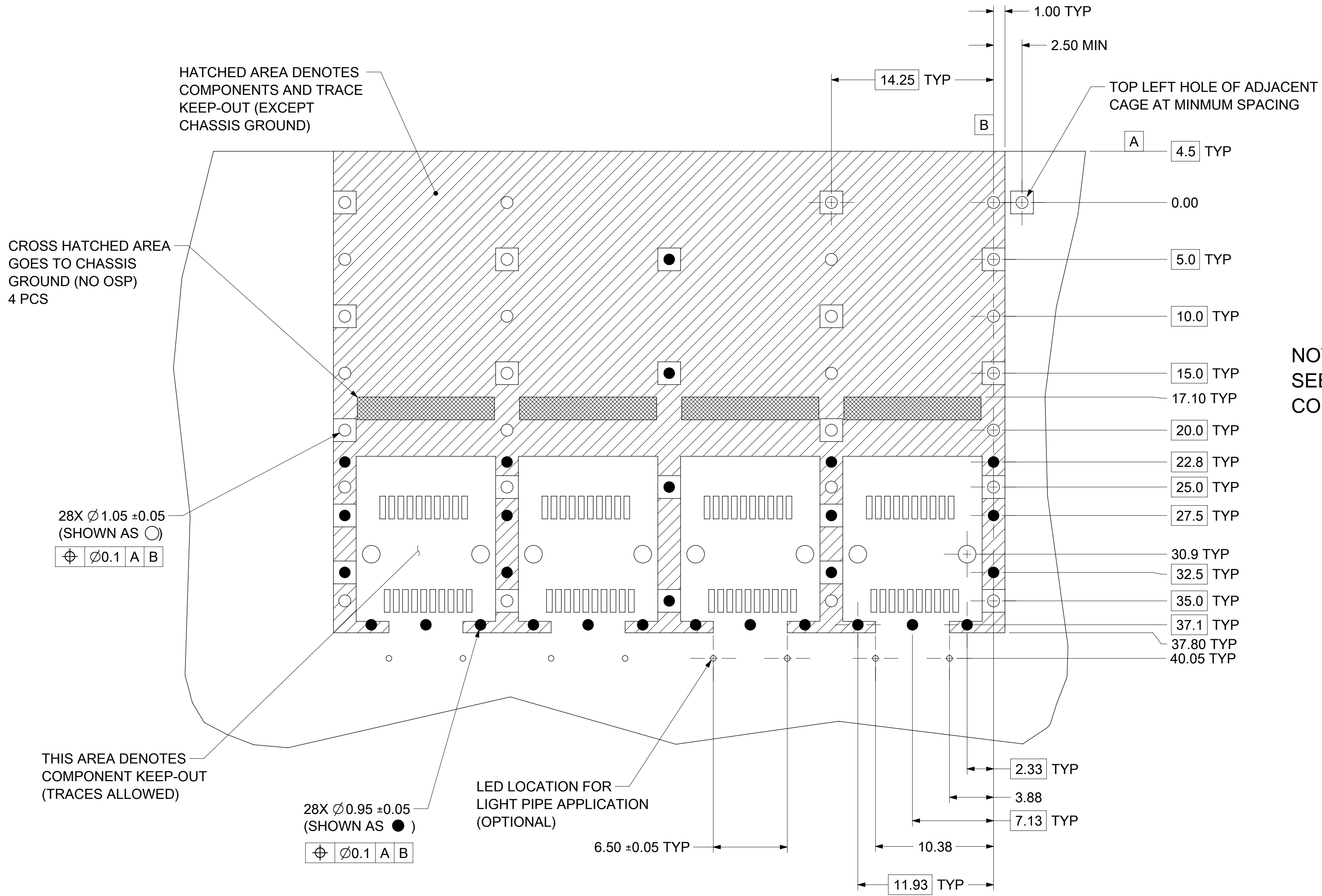


ZSFP+ 1X4 CAGE 120 INCH PRESS FIT TYPE, W/SUS SF,UB GASKET & HEAT SINK

PRODUCT CUSTOMER DRAWING

DOCUMENT NUMBER: 1001148432 | DOC TYPE: PSD | DOC PART: ASY | REVISION: A

# PCB LAYOUT FOR BELLY TO BELLY MOUNTING



HATCHED AREA DENOTES COMPONENTS AND TRACE KEEP-OUT (EXCEPT CHASSIS GROUND)

CROSS HATCHED AREA GOES TO CHASSIS GROUND (NO OSP) 4 PCS

28X  $\varnothing 1.05 \pm 0.05$  (SHOWN AS  $\bigcirc$ )  
 $\varnothing 0.1$  A B

THIS AREA DENOTES COMPONENT KEEP-OUT (TRACES ALLOWED)

28X  $\varnothing 0.95 \pm 0.05$  (SHOWN AS  $\bullet$ )  
 $\varnothing 0.1$  A B

LED LOCATION FOR LIGHT PIPE APPLICATION (OPTIONAL)

6.50 ±0.05 TYP

TOP LEFT HOLE OF ADJACENT CAGE AT MINIMUM SPACING

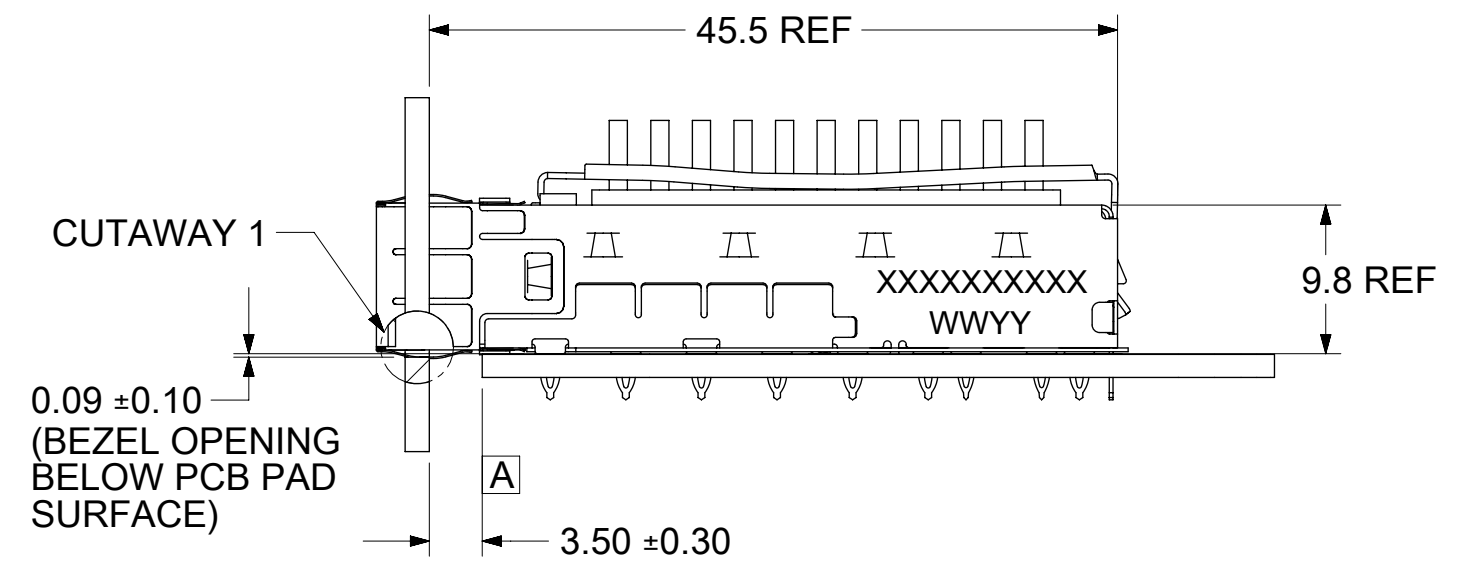
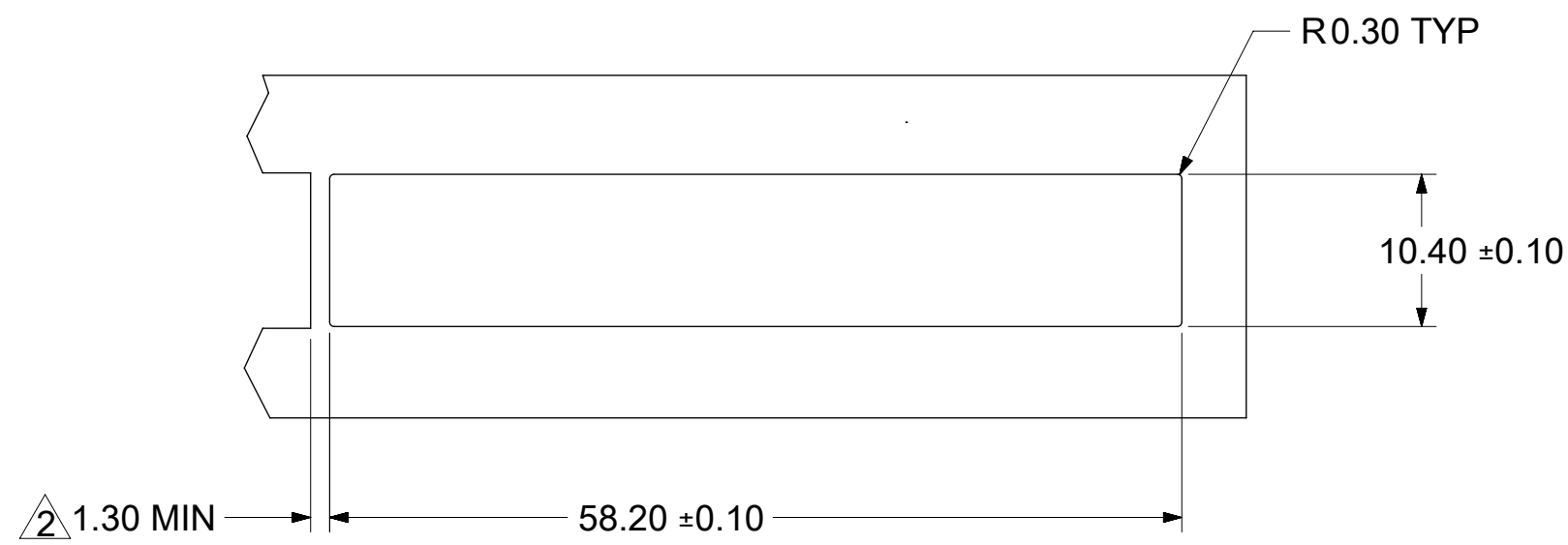
NOTE:  
SEE SHEET 2 FOR HOST CONNECTOR DETAIL

**NOTES:**

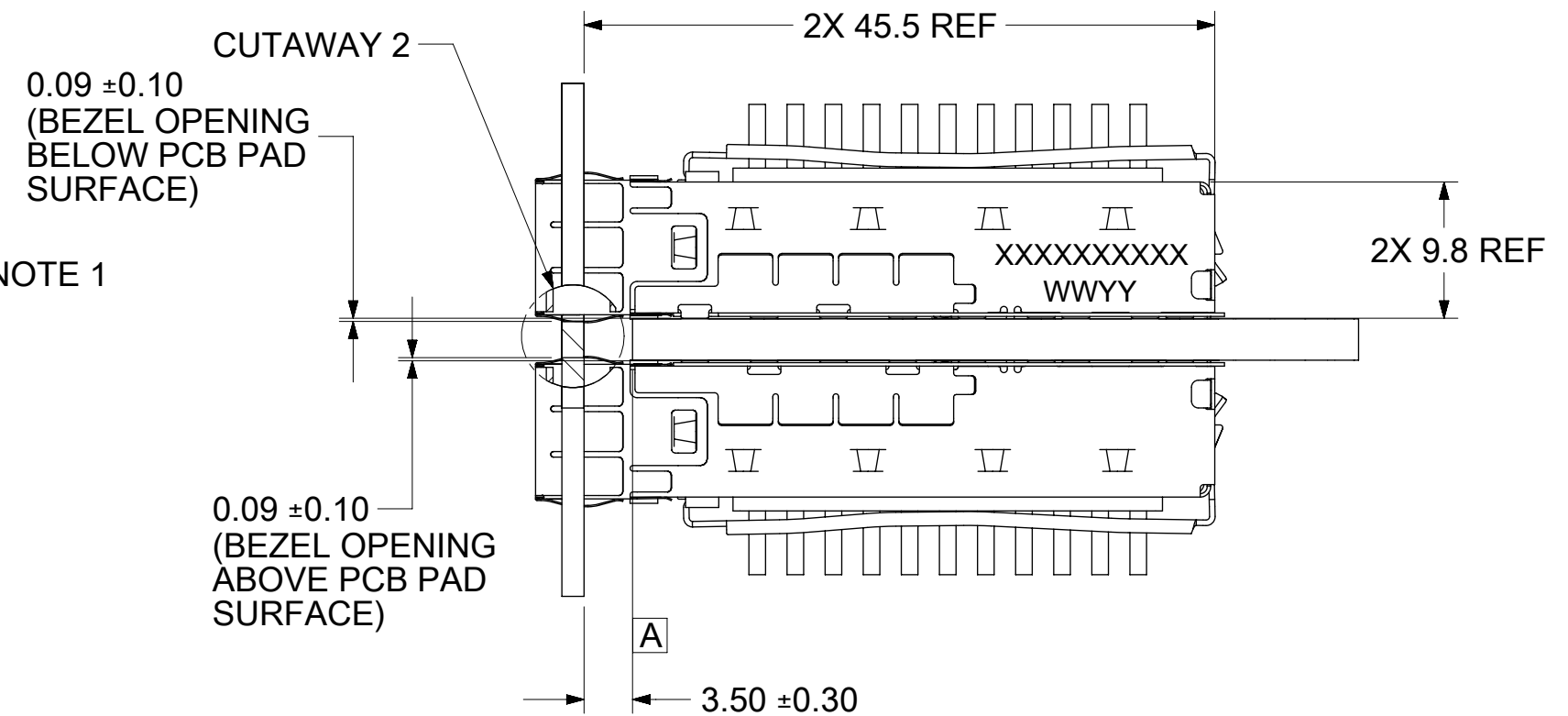
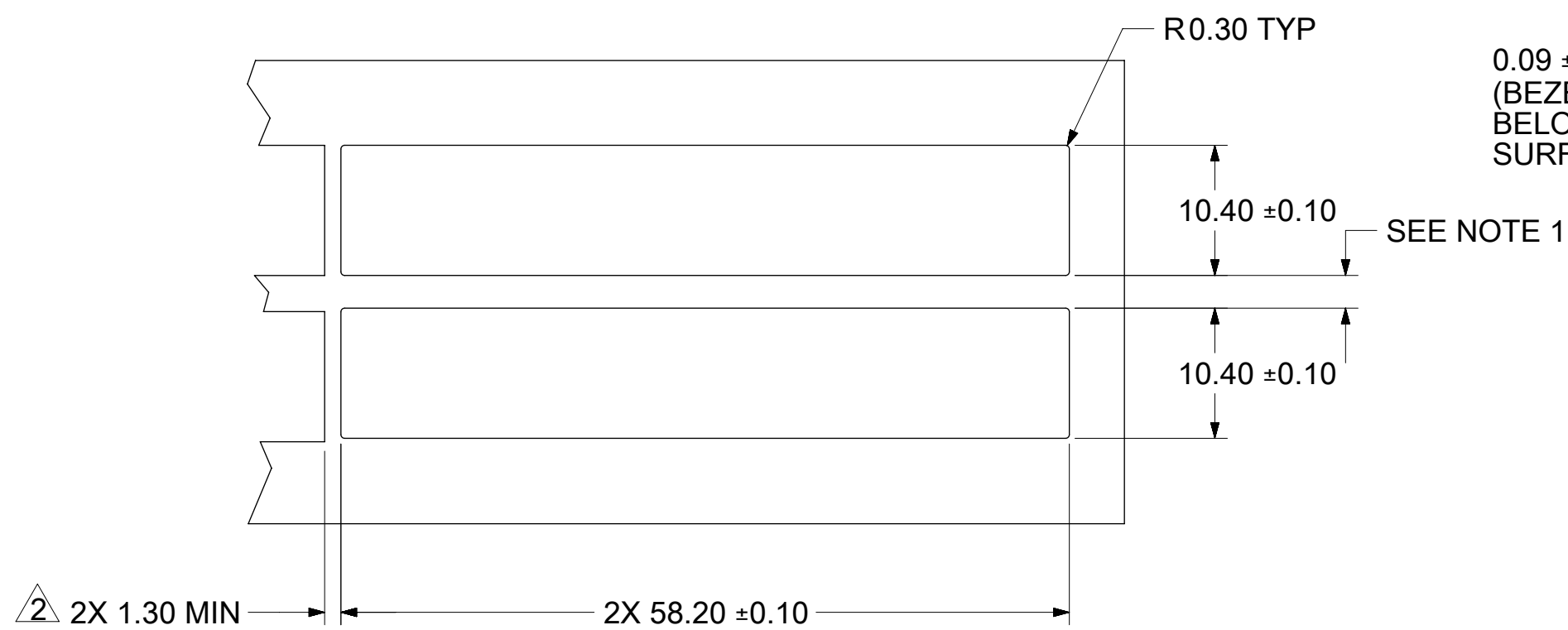
1. PADS AND VIAS CONNECT TO CHASSIS GROUND (RECOMMEND PADS TO BE 2.00mm SQUARE)
2. RECOMMENDED THRU HOLE PLATING INCLUDES HASL, OSP, OR IMMERSION (GOLD, SILVER, OR TIN).
3. CONNECTOR PAD LAYOUT PER SFP+ MSA WILL ACCOMMODATE MOLEX CONNECTOR SERIES 74441 OR EQUIVALENT.
4. HOLE PATTERN REPEATS FOR EACH PORT. SPACING BETWEEN PORTS IS 14.25mm.

<b>FUNCTIONAL SYMBOLS</b> $\overline{A} = 0$ $\overline{C} = 0$ $\overline{P} = 0$	THIS DRAWING CONTAINS INFORMATION THAT IS PROPRIETARY TO MOLEX ELECTRONIC TECHNOLOGIES, LLC AND SHOULD NOT BE USED WITHOUT WRITTEN PERMISSION		CURRENT REV DESC: SEE REVISION TABLE					
	<b>DIMENSION UNITS</b> mm	<b>SCALE</b> 4:1	<b>molex</b> ZSFP+ 1X4 CAGE 120 INCH PRESS FIT TYPE, W/SUS SF,UB GASKET & HEAT SINK					
	GENERAL TOLERANCES (UNLESS SPECIFIED) ANGULAR TOL $\pm 2.0^\circ$							
	<b>DIVISIONAL SYMBOLS</b> 4 PLACES $\pm$ 3 PLACES $\pm$ 2 PLACES $\pm 0.13$ 1 PLACE $\pm 0.25$ 0 PLACES $\pm$	EC NO: 707054 DRWN: ABHILT2 2022/04/07 CHK'D: TKUMARKC 2022/05/20 APPR: SCHIEN 2022/05/23		PRODUCT CUSTOMER DRAWING				
DRAFT WHERE APPLICABLE MUST REMAIN WITHIN DIMENSIONS		THIRD ANGLE PROJECTION	DRAWING C-SIZE	SERIES 100114	DOCUMENT NUMBER 1001148432	DOC TYPE PSD	DOC PART ASY	REVISION A
MATERIAL NUMBER 1001148432		CUSTOMER		SHEET NUMBER 3 OF 5				

# BEZEL AND BOARD POSITION DIMENSIONS FOR SINGLE SIDE MOUNTING



# BEZEL AND BOARD POSITION DIMENSIONS FOR BELLY TO BELLY MOUNTING

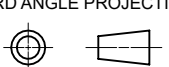


NOTE:  
 1. PCB THICKNESS VARIATION MUST BE CONSIDERED WHEN DETERMINING BEZEL OPENING LOCATION.  
 2. THIS DIM IS FOR REF ONLY USER CAN MODIFY IT DEPENDS ON APPLICATION, HOLE OF ADJACENT CAGE ON PCB LAYOUT VARIES BASED ON MODIFICATION.

FUNCTIONAL SYMBOLS $\nabla_A = 0$ $\nabla_C = 0$ $\nabla_P = 0$	THIS DRAWING CONTAINS INFORMATION THAT IS PROPRIETARY TO MOLEX ELECTRONIC TECHNOLOGIES, LLC AND SHOULD NOT BE USED WITHOUT WRITTEN PERMISSION		CURRENT REV DESC: SEE REVISION TABLE				
	DIMENSION UNITS	SCALE				ZSFP+ 1X4 CAGE 120 INCH PRESS FIT TYPE, W/SUS SF,UB GASKET & HEAT SINK	
	mm	2:1					
	GENERAL TOLERANCES (UNLESS SPECIFIED)						
ANGULAR TOL ± 2.0°				PRODUCT CUSTOMER DRAWING			
4 PLACES ±		EC NO: 707054		DOCUMENT NUMBER	DOC TYPE	DOC PART	REVISION
3 PLACES ±		DRWN: ABHILT2 2022/04/07		1001148432	PSD	ASY	A
2 PLACES ± 0.13		CHK'D: TKUMARKC 2022/05/20					
1 PLACE ± 0.25		APPR: SCHIEN 2022/05/23					
0 PLACES ±		INITIAL REVISION:					
DRAFT WHERE APPLICABLE MUST REMAIN WITHIN DIMENSIONS		THIRD ANGLE PROJECTION	DRAWING	SERIES	MATERIAL NUMBER	CUSTOMER	SHEET NUMBER
			C-SIZE	100114	1001148432		4 OF 5

H  
G  
F  
E  
D  
C  
B  
A

REV	DATE	DESCRIPTION
A	2022/05/20	INITIAL RELEASE

FUNCTIONAL SYMBOLS	THIS DRAWING CONTAINS INFORMATION THAT IS PROPRIETARY TO MOLEX ELECTRONIC TECHNOLOGIES, LLC AND SHOULD NOT BE USED WITHOUT WRITTEN PERMISSION												
	DIMENSION UNITS	SCALE	CURRENT REV DESC: SEE REVISION TABLE							<b>molex</b>			
$\frac{F}{A} = 0$	mm	1:1	EC NO: 707054 DRWN: ABHILT2 2022/04/07 CHK'D: TKUMARKC 2022/05/20 APPR: SCHIEN 2022/05/23									ZSFP+ 1X4 CAGE 120 INCH PRESS FIT TYPE, W/SUS SF,UB GASKET & HEAT SINK	
$\frac{F}{C} = 0$	GENERAL TOLERANCES (UNLESS SPECIFIED)									PRODUCT CUSTOMER DRAWING			
$\frac{F}{P} = 0$	ANGULAR TOL	± 2.0°	INITIAL REVISION: DRWN: ABHILT2 2022/04/07 APPR: SCHIEN 2022/05/23							DOCUMENT NUMBER	DOC TYPE	DOC PART	REVISION
DIVISIONAL SYMBOLS	4 PLACES	±								1001148432	PSD	ASY	A
	3 PLACES	±	MATERIAL NUMBER		CUSTOMER		SHEET NUMBER						
	2 PLACES	± 0.13	1001148432			5 OF 5							
	1 PLACE	± 0.25	DRAFT WHERE APPLICABLE MUST REMAIN WITHIN DIMENSIONS				THIRD ANGLE PROJECTION 		DRAWING	SERIES			
	0 PLACES	±					C-SIZE	100114					

FORMATS: mox-01-0100-C  
REVISION: 01  
DATE: 2019/05/01