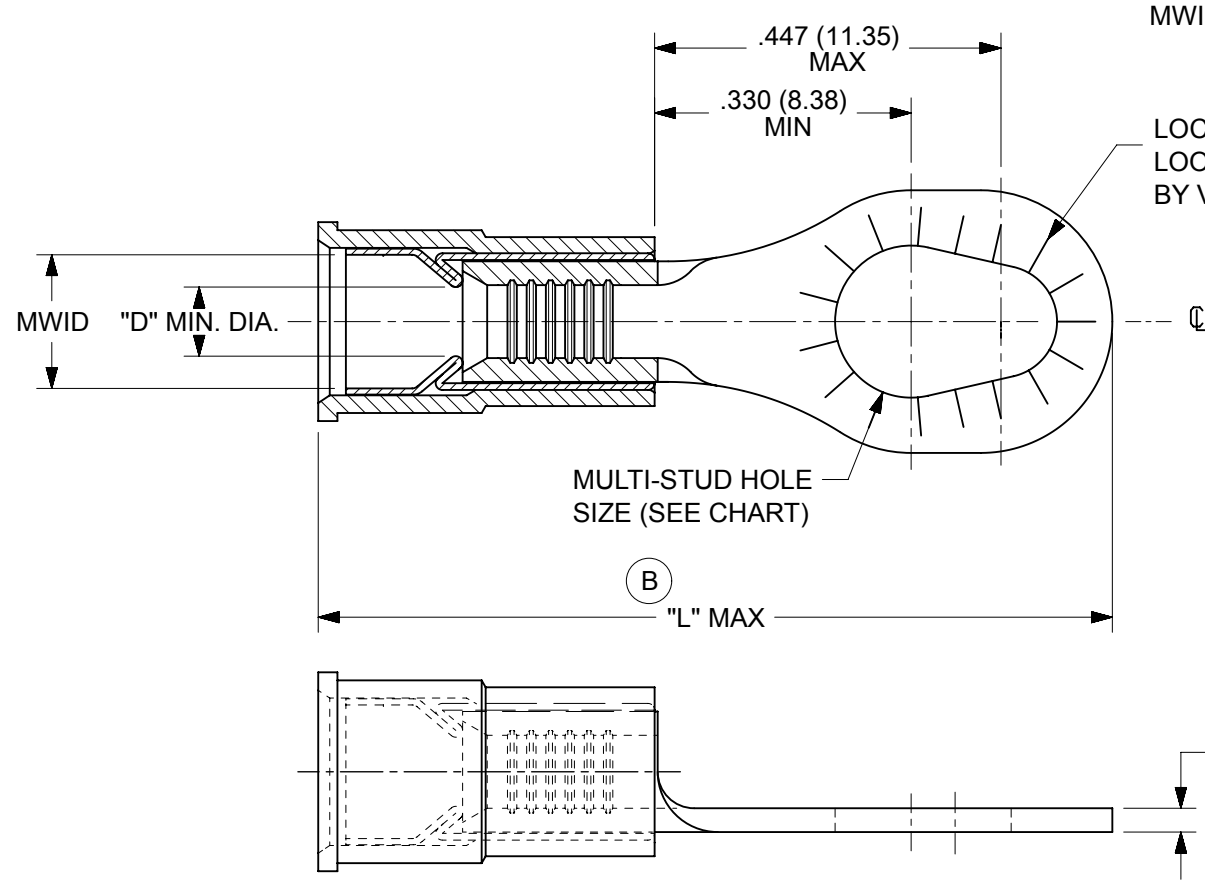


MATERIAL NO.	ENG NO.	TAPE MAT'L NO.	TAPE ENG NO.	WIRE RANGE AWG	INSUL. COLOR	"L" MAX	"W" MAX	"D" MIN	MWID	MULTI-STUD HOLE SIZE FOR EA. PART NO.	STOCK THK
190810003	B-5006-MS	190810004	B-5006-MST	16-14	BLUE	1.158 (29.41)	.362 (9.19)	.081 (2.06)	.170 (4.32)	06 (.146), 08 (.173), 10 (.198)	.031 (.79)
190810005	C-5006-MS	190810006	C-5006-MST	12-10	YELLOW	1.305 (33.15)	.410 (10.41)	.128 (3.25)	.225 (5.72)	06 (.146), 08 (.173), 10 (.198)	.040 (1.02)



MWID = MAX WIRE INSULATION DIA.

LOCKING SERRATIONS PREVENT LOOSE CONNECTIONS CAUSED BY VIBRATION.

MULTI-STUD HOLE SIZE (SEE CHART)

STOCK THK

- (B) NOTE:(S)
1. CONDUCTOR MAT'L: COPPER (PLATING:TIN)
 2. FUNNEL FERRULE: BRASS (PLATING: TIN)
 3. NYLON INSULATION: COLOR CODED (SEE CHART)
 4. PARTS ARE RoHS COMPLIANT.

THIS DRAWING CONTAINS INFORMATION THAT IS PROPRIETARY TO MOLEX ELECTRONIC TECHNOLOGIES, LLC AND SHOULD NOT BE USED WITHOUT WRITTEN PERMISSION												
QUALITY SYMBOLS 	EC NO: 168469 DRWN: DMYRICK CHK'D: JMACNEIL REV APPR: JMACNEIL	GENERAL TOLERANCES (UNLESS SPECIFIED)		DIMENSION UNITS	SCALE							
		MM	INCH	INCH	4:1							
		4 PLACES ±	±	DRWN BY		DATE	VIBRAKRIMP MULTI-STUD, RING TONGUE TERMINAL					
		3 PLACES ±	± 0.005	D.MYRICK		2017/11/14						
2 PLACES ±	± 0.01	CHK'D BY		DATE	PRODUCT CUSTOMER DRAWING							
1 PLACES ±	± 0.25	J.MACNEIL		2017/11/14								
0 PLACES ±	±	APPR BY		DATE	SERIES: 19081 MATERIAL NUMBER: 190810003 CUSTOMER: GENERAL MARKET							
ANGULAR TOL ± 0.5		J.MACNEIL		2017/11/14								
DRAFT WHERE APPLICABLE MUST REMAIN WITHIN DIMENSIONS		DRAWING SIZE		THIRD ANGLE PROJECTION	DOCUMENT NUMBER: 190810020 DOC TYPE: PSD DOC PART: 000 SHEET NUMBER: 1 OF 1							
		A										