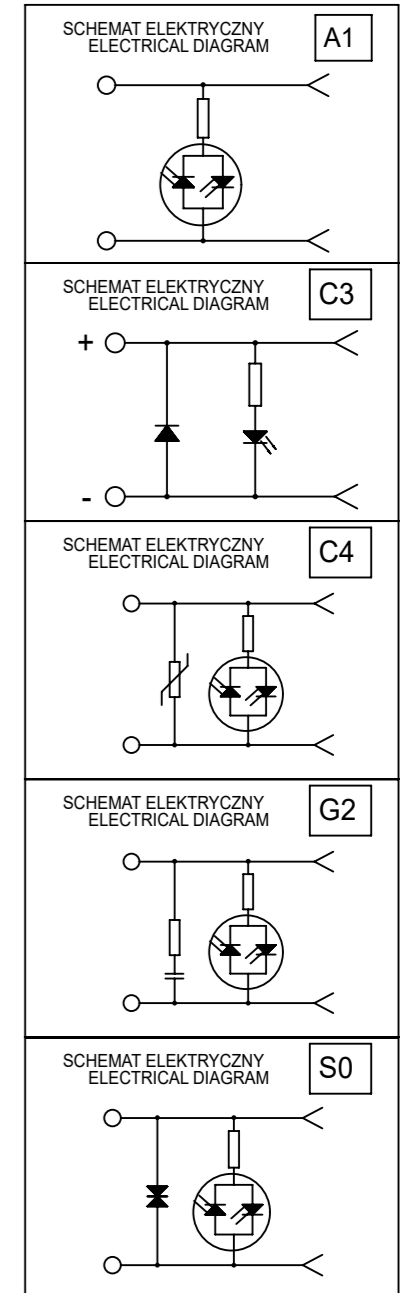


A 0 3 X X X

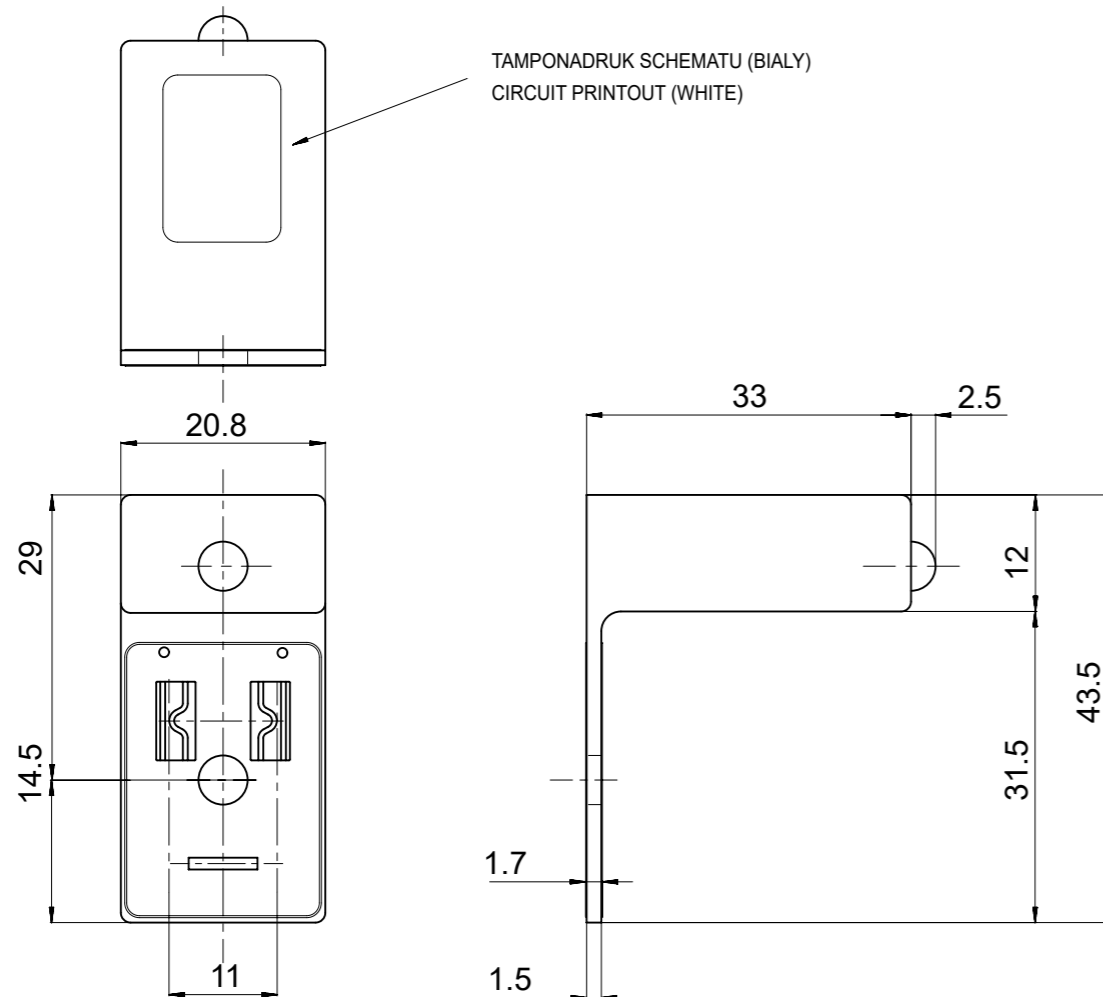
MOLEX PN	MPM PN
1210010091	A03C42
1210010098	A03C4H
1210010099	A03C4L
1210010100	A03C4M

SCHEMATY POLACZEN
/WIRING CONFIGURATION



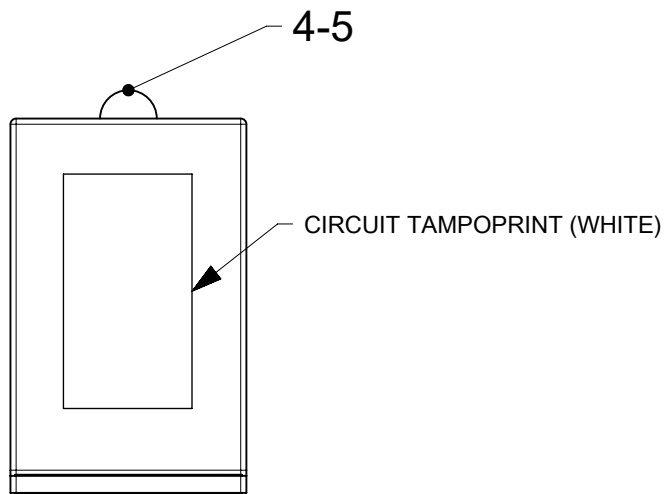
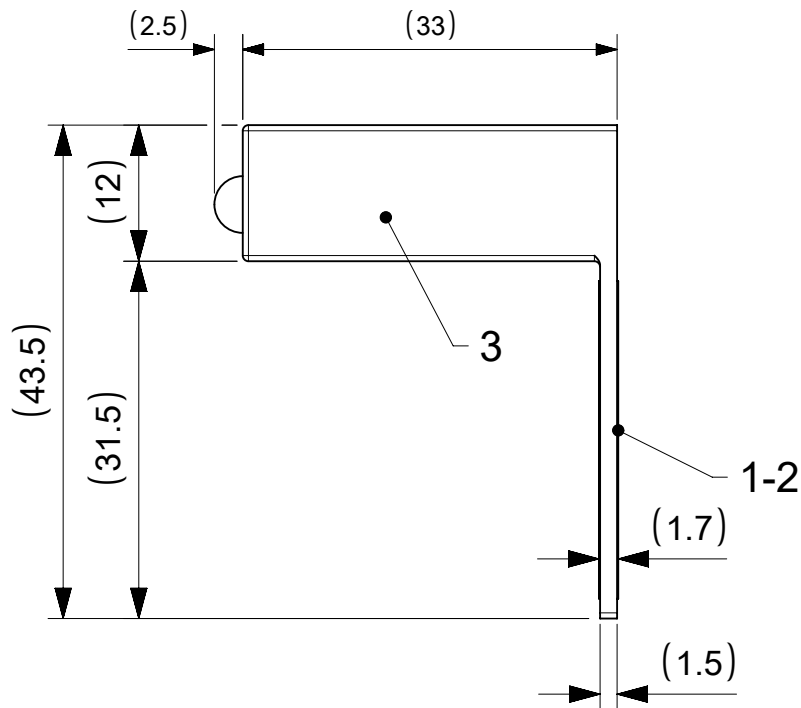
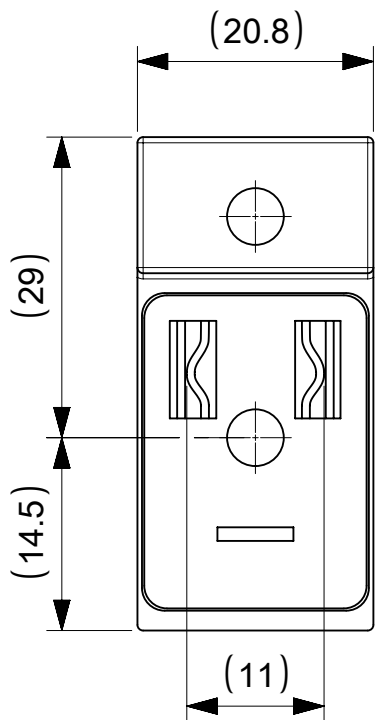
RODZAJ POLACZENIA/INTERNAL CIRCUIT
PATRZ SCHEMATY POLACZEN/WIREING CONFIGURATION
NAPIECIE ORAZ KOLOR DIODY/VOLTAGE AND LED COLOUR:

- | | | | | | |
|--|-----------------------------|--|------------------------------|--|-----------------------------|
| 1= 12V
2= 24V
3= 48V
4= 115V
5= 230V | } CZERWONA DIODA
RED LED | A= 12V
B= 24V
C= 48V
D= 115V
E= 230V | } ZIELONA DIODA
GREEN LED | G= 12V
H= 24V
K= 48V
L= 115V
M= 230V | } ZOLTA DIODA
YELLOW LED |
|--|-----------------------------|--|------------------------------|--|-----------------------------|

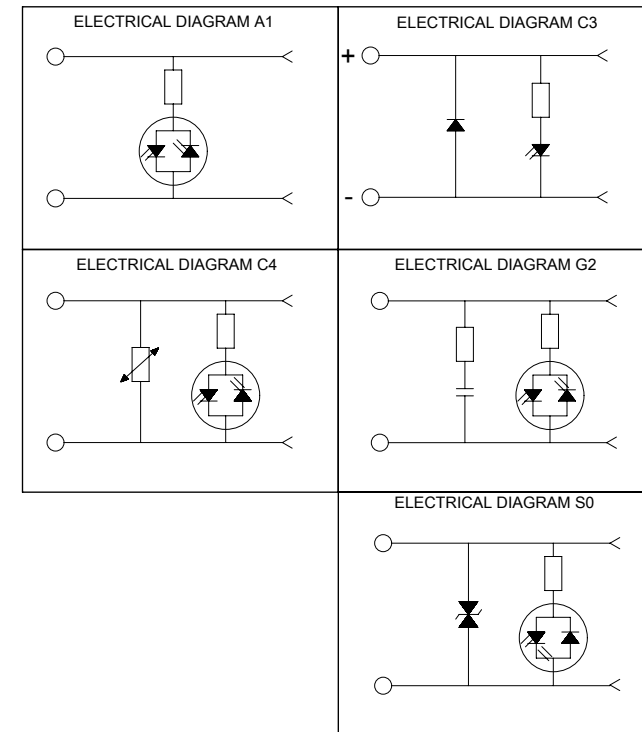


TAMPONADRUK SCHEMATU (BIALY)
CIRCUIT PRINTOUT (WHITE)

THIS DRAWING CONTAINS INFORMATION THAT IS PROPRIETARY TO MOLEX ELECTRONIC TECHNOLOGIES, LLC AND SHOULD NOT BE USED WITHOUT WRITTEN PERMISSION											
DIMENSION UNITS		SCALE		CURRENT REV DESC: REMOVED OBSOLETE PART NUMBERS AS P[ER PCN#511691							
MM		NTS									
GENERAL TOLERANCES (UNLESS SPECIFIED)											
				MPM A03 ADAPTORS PRODUCT CUSTOMER DRAWING EC NO: 737858 DRWN: SANTHN 2023/02/08 CHK'D: GGA 2023/02/24 APPR: GGA 2023/02/24 INITIAL REVISION: DRWN: MLEVYTSKYY 2009/05/05 APPR: MWOLSZCZAK 2009/05/05							
4 PLACES		±	±								
3 PLACES		±	±								
2 PLACES		±	±								
1 PLACE		±	±								
0 PLACES		±	±								
ANGULAR TOL		±	°	DOCUMENT NUMBER		DOC TYPE		DOC PART		REVISION	
DRAFT WHERE APPLICABLE MUST REMAIN WITHIN DIMENSIONS		THIRD ANGLE PROJECTION		DRAWING		SERIES		MATERIAL NUMBER		CUSTOMER	
		A3-SIZE		121001		SEE DRAWING		GENERAL MARKET		SHEET NUMBER	
										1 OF 1	



WIRING CONFIGURATION



THIS DRAWING CONTAINS INFORMATION THAT IS PROPRIETARY TO MOLEX ELECTRONIC TECHNOLOGIES, LLC AND SHOULD NOT BE USED WITHOUT WRITTEN PERMISSION									
DIMENSION UNITS	SCALE	CURRENT REV DESC: REMOVED OBSOLETE PART NUMBER AS PER PCN#511691.							
mm	1:1	<div style="text-align: center;">molex</div> <p>A03XXX ADAPTORS SERIES A03XXX FOR DIN INDUSTRIAL</p> <p>PRODUCT CUSTOMER DRAWING</p>							
GENERAL TOLERANCES (UNLESS SPECIFIED)									
ANGULAR TOL	± °								
4 PLACES	±								
3 PLACES	±								
2 PLACES	±	EC NO: 737858	2023/02/10						
1 PLACE	±	DRWN: JMARZALEK	2023/02/24						
0 PLACES	±	CHK'D: GGA	2023/02/24						
DRAFT WHERE APPLICABLE MUST REMAIN WITHIN DIMENSIONS		APPR: GGA	2023/02/24	INITIAL REVISION:		DOCUMENT NUMBER	DOC TYPE	DOC PART	REVISION
		DRWN: JMARZALEK	2023/02/24	APPR: MIWASIECZKO		SD-121001-003	PSD	001	A2
		THIRD ANGLE PROJECTION	DRAWING	SERIES	MATERIAL NUMBER	CUSTOMER	SHEET NUMBER		
			A4-SIZE	121001	SEE PART LIST	GENERAL MARKET	1 OF 2		

DOCUMENT STATUS	P1	RELEASE DATE	2023/02/24	09:13:38
-----------------	----	--------------	------------	----------

PART No MATRIX



INTERNAL CIRCUIT

VOLTAGE AND LED COLOR

1= 12V	A= 12V	G= 12V
2= 24V	B= 24V	H= 24V
3= 48V	C= 48V	K= 48V
4= 115V	D= 115V	L= 115V
5= 230V	E= 230V	M= 230V

RED LED GREEN LED YELLOW LED

PART LIST


MOLEX PN	ENG. NO	CIRCUIT TYPE	LED COLOR
1210010091	A03C42	C4 24V	RED
1210010098	A03C4H	C4 24V	YELLOW
1210010099	A03C4L	C4 115V	YELLOW
1210010100	A03C4M	C4 230V	YELLOW

BOM

ITEM	QTY	DESCRIPTION	MATERIAL	FINISH/COLOR
5	1	DISTANZIALE LED	-	-
4	1	PCB WITH COMPONENT	-	SEE PART LIST
3	1	CORPO STAMPATO	-	BLACK
2	-	EPOXY ER2188K5K	-	BLACK
1	-	EPOXY ER2188B	-	BLACK

DOCUMENT STATUS	P1	RELEASE DATE	2023/02/24	09:13:38
-----------------	----	--------------	------------	----------

THIS DRAWING CONTAINS INFORMATION THAT IS PROPRIETARY TO MOLEX ELECTRONIC TECHNOLOGIES, LLC AND SHOULD NOT BE USED WITHOUT WRITTEN PERMISSION

DIMENSION UNITS	SCALE	CURRENT REV DESC: REMOVED OBSOLETE PART NUMBER AS PER PCN#511691.		
mm	1:1	 <p>A03XXX ADAPTORS SERIES A03XXX FOR DIN INDUSTRIAL</p> <p>PRODUCT CUSTOMER DRAWING</p>		
GENERAL TOLERANCES (UNLESS SPECIFIED)				
ANGULAR TOL	± °			
4 PLACES	±			
3 PLACES	±			
2 PLACES	±	EC NO: 737858	2023/02/10	
1 PLACE	±	DRWN: SANTHN	2023/02/24	
0 PLACES	±	CHK'D: GGA	2023/02/24	
DRAFT WHERE APPLICABLE MUST REMAIN WITHIN DIMENSIONS		APPR: GGA	2023/02/24	
THIRD ANGLE PROJECTION		INITIAL REVISION:		
DRAWING		DRWN: JMARSZALEK	2013/02/08	
SERIES		APPR: MIWASIECZKO	2013/02/12	
MATERIAL NUMBER		DOCUMENT NUMBER	DOC TYPE	
A4-SIZE		SD-121001-003	PSD	
121001		CUSTOMER	DOC PART	
SEE PART LIST		GENERAL MARKET	001	
SHEET NUMBER		REVISION		
2 OF 2		A2		