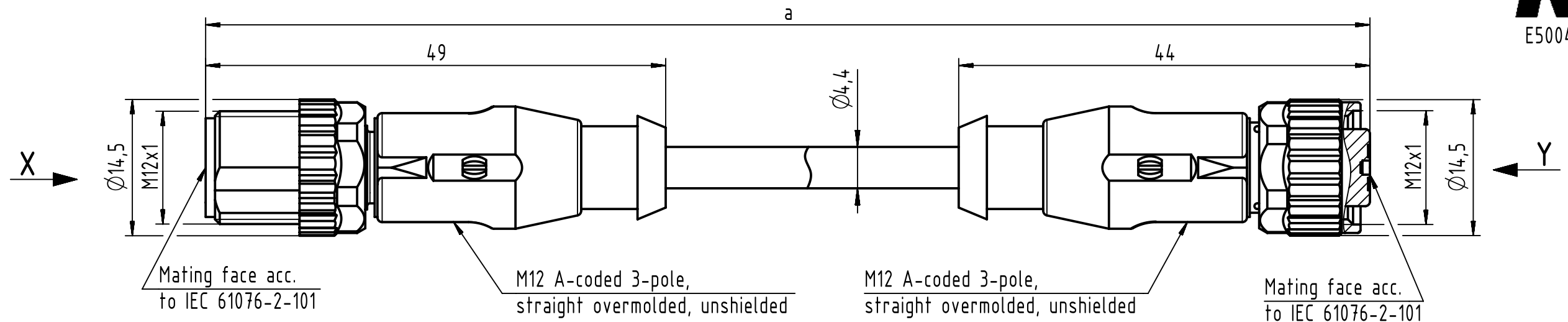


Connector Location A

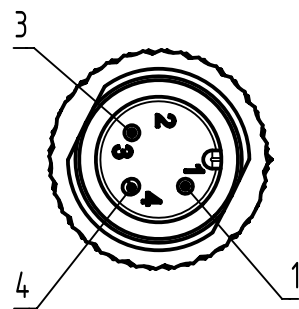
Connector Location B



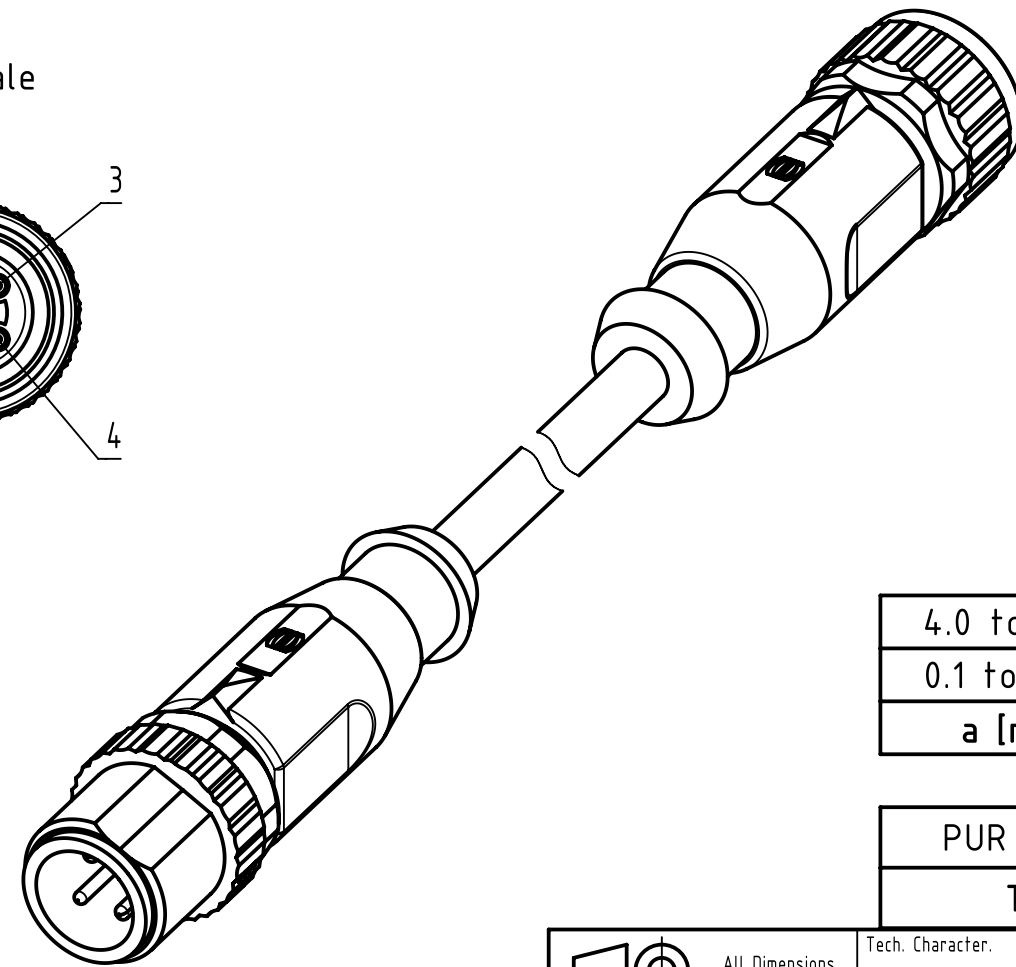
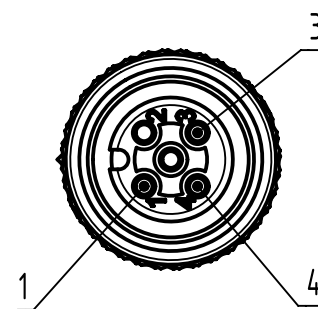
X male

Y female

Loading-Plan



- 1 brown 1
- 3 blue 3
- 4 black 4



- Protection level: IP67
- Temperature range: -25°C ... +80°C

4.0 to 4.0	±1%
0.1 to 3.9	+0.04
a [m]	Tolerance

length in "1m" step	40	XXX=400
	39	XXX=390
	.	.
	12	XXX=120
length in "0.1m" step	11	XXX=110
	10	XXX=100
	9.9	XXX=099
	9.8	XXX=098
	.	.
	0.4	XXX=004
	0.3	XXX=003
	0.2	XXX=002
	0.1	XXX=001
Step	a [m]	XXX

PUR black, 3x0.34mm ²	21348485390XXX
Type of cable	Part no.

All rights reserved Department HCS - RO HARTING Customised Solutions D-32339 Espelkamp		All Dimensions in mm Tech. Character. Created by STOCEVIC Stoceci Inspected by COSTEA Costea Standardisation MUNTEANV Muntean Date 2018-12-14 State Final Release Title M12 Cable Assembly A-cod st/st m/f Type TB Number 21348485390XXX	Free size tol. According to production drawing Doc-Key / ECM-Nr. 100806188/UGD/009/A 500000144865 Rev. A Page 1/1
---	--	---	---