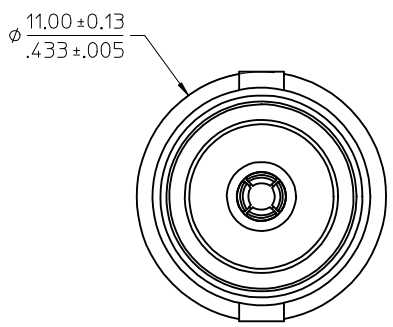
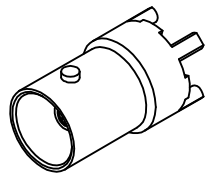


MATERIAL AND FINISHES

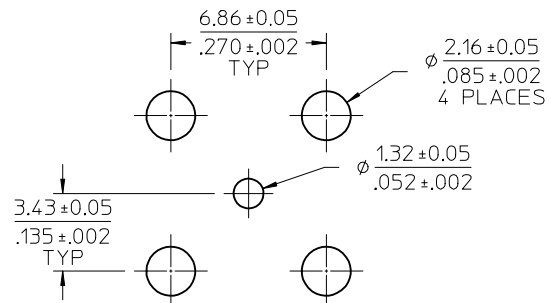
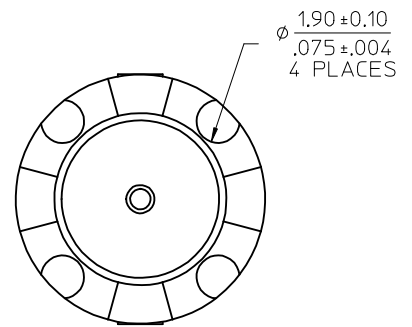
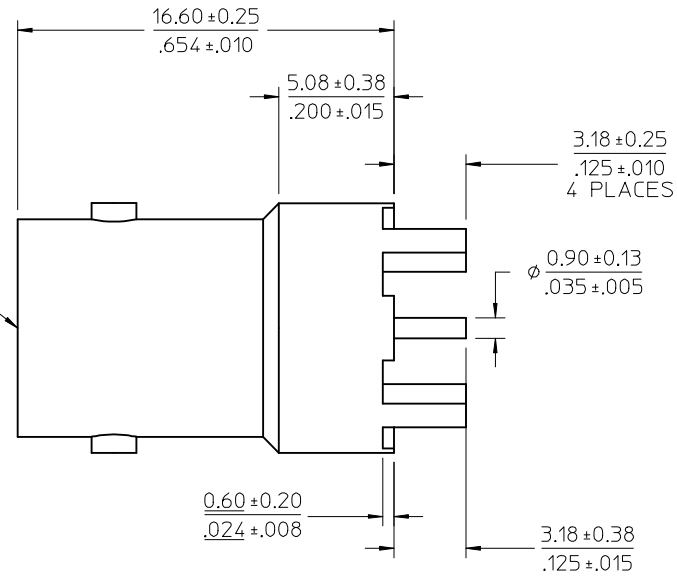
BODY ZINC ALLOY
PLATED NICKEL

CONTACT PHOSPHOR BRONZE
PLATED GOLD

INSULATOR PE-606



BNC JACK
75 OHM
INTERFACE



RECOMMENDED PCB
HOLE PATTERN

73171-1902	73171-1900, ONE PER BAG
73171-1900	BULK
PART NO.	PACKAGING

CHG: ADD STAND OFF DIM: 6.00±0.20 IEC NO: URF2014-0462 DRW: CME102 2014/02/12 CHKD: APPR: HUANG 2014/02/27	QUALITY SYMBOLS ▽=0 ▽=0 ▽=0	GENERAL TOLERANCES (UNLESS SPECIFIED)		DIMENSION STYLE MM/IN		SCALE METRIC	DESIGN UNITS METRIC		THIRD ANGLE PROJECTION		
		4 PLACES ± --- ± --- 3 PLACES ± --- ± --- 2 PLACES ± --- ± --- 1 PLACE ± --- ± --- 0 PLACE ± ±		DRAWN BY DATE TEF 2003/01/07		CHECKED BY DATE SSS 2003/01/07		TITLE BNC JACK, VERTICAL MOUNT PCB, EWR-1909, 75 OHMS BNC-J/PCB		APPROVED BY DATE GMH 2003/01/07	
		ANGULAR ± 2 °		MATERIAL NO. SEE TABLE		DOCUMENT NO. SD-73171-190		SHEET NO. 1 OF 1			
		DRAFT WHERE APPLICABLE MUST REMAIN WITHIN DIMENSIONS		SIZE C		THIS DRAWING CONTAINS INFORMATION THAT IS PROPRIETARY TO MOLEX. INCORPORATED AND SHOULD NOT BE USED WITHOUT WRITTEN PERMISSION					