

THIS DRAWING IS UNPUBLISHED.

RELEASED FOR PUBLICATION - ,2016.

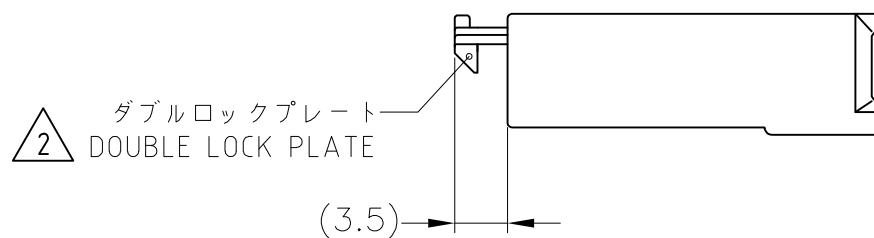
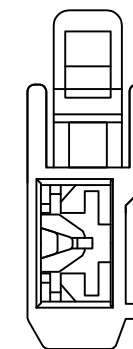
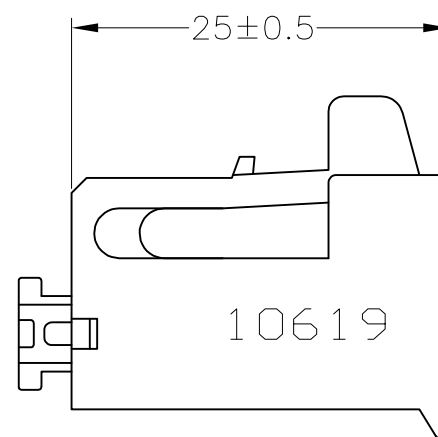
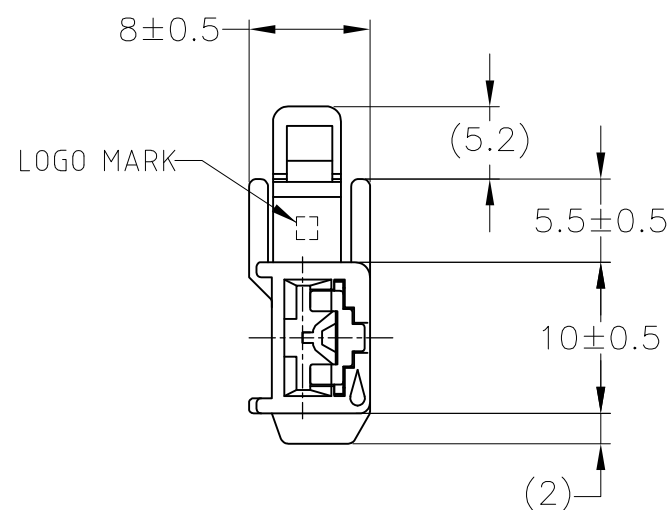
© COPYRIGHT 2016 By Tyco Electronics Japan G.K.

ALL RIGHTS RESERVED.

REVISIONS

変更

P	LTR	DESCRIPTION	DATE	DWN	APVD
	B	REVISED	19APR16	KF	RK



- 1. APPLIDE CONTACT ; 170032, 170258,170384
- 2. DOUBLE LOCK PLATE  
MATERIAL ; PBT  
COLOR ; YELLOW

- 1. 使用端子 ; 170032, 170258, 170384
- 2. ダブルロックプレートは黄色のPBT材である。

BLACK	178471-2
GRAY	178471-1
色 COLOR	型番 PART NUMBER

TOLERANCES UNLESS OTHERWISE SPECIFIED:  
一般公差

10 ≥	: ±0.2
30 ≥	>10 : ±0.25
100 ≥	>30 : ±0.3
ANGLE : ±3°	

THIS DRAWING IS A CONTROLLED DOCUMENT.

DIMENSIONS: 単位: 耗 mm	TOLERANCES UNLESS OTHERWISE SPECIFIED: 一般公差
	0 PLC ± -
	1 PLC ± -
	2 PLC ± -
	3 PLC ± -
	4 PLC ± -
MATERIAL 材料	FINISH 仕上
PBT	-

DWN	T.SHINOHARA	11JAN06
CHK	K.BETSUI	11JAN06
APVD	K.BETSUI	11JAN06
PRODUCT SPEC	製品規格 108-5370	
APPLICATION SPEC	取付適用規格	
WEIGHT	1.7 g	

TE Connectivity		NAME 名称		RESTRICTED TO	
		250 SERIES DOUBLE LOCK CONNECTOR 1POSITION PLUG HOUSING (HORN TYPE)			
SIZE	CAGE CODE	DRAWING NO 番号	-		
A3	00779	G-178471	-		
CUSTOMER DRAWING		SCALE 尺度	SHEET	REV	
		2:1	1 OF 1	B	