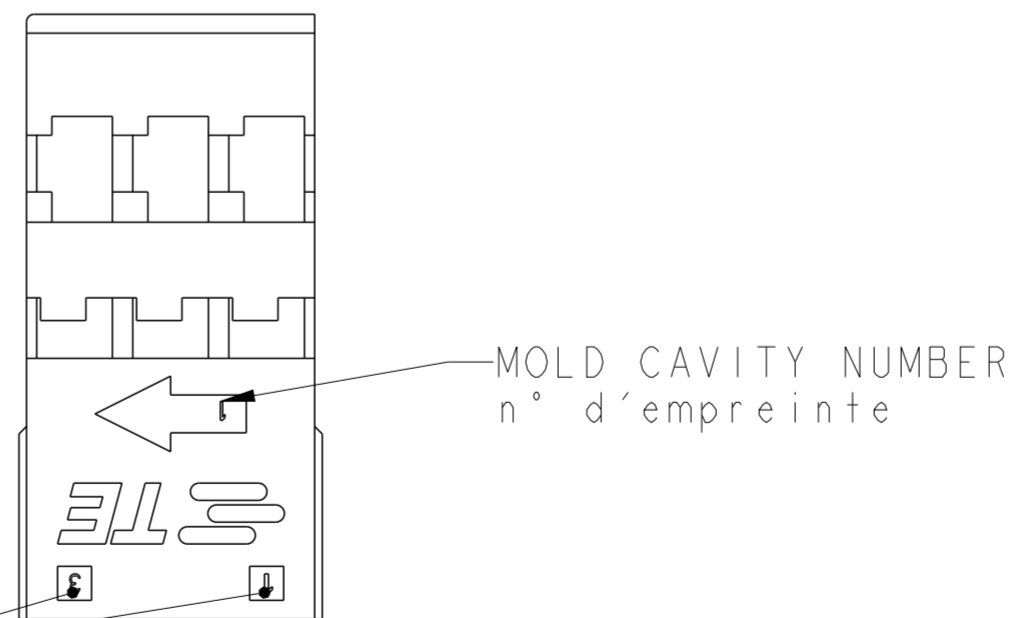
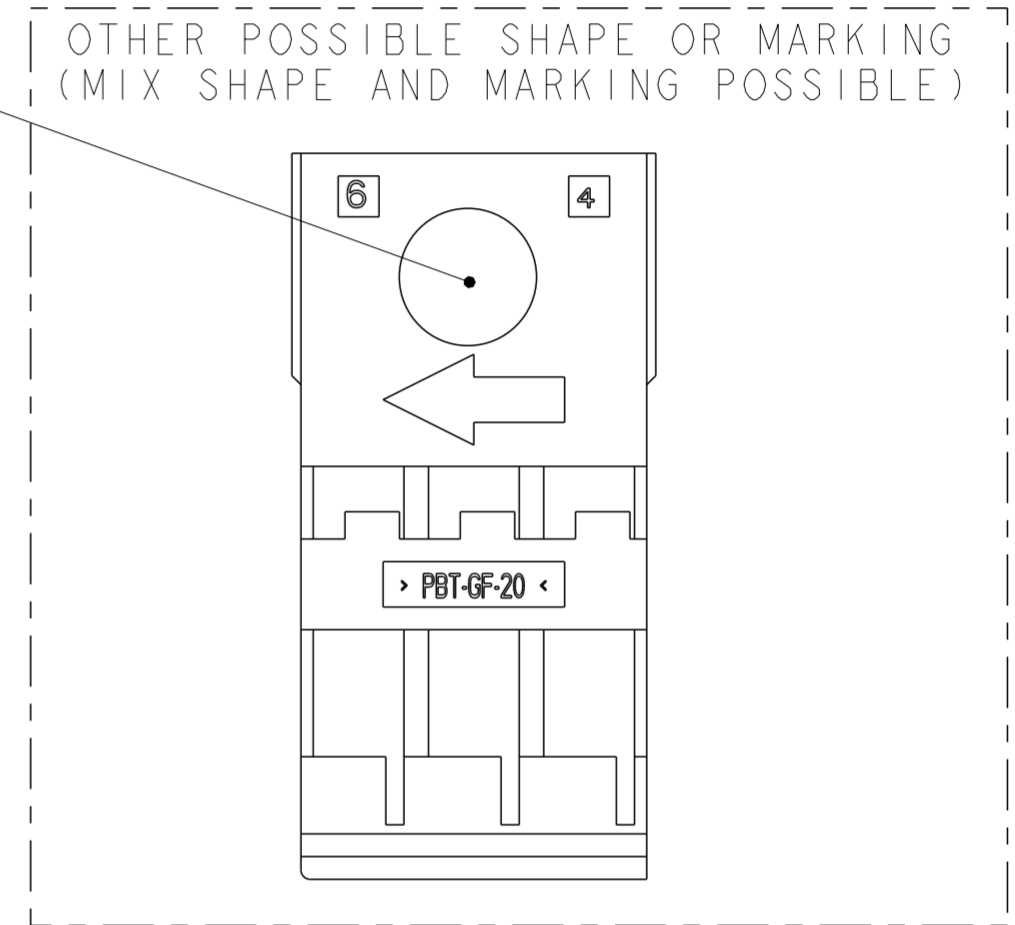
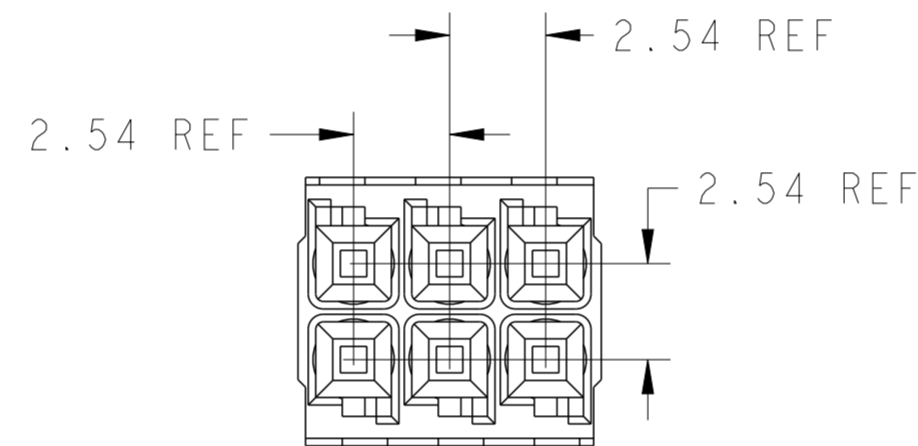
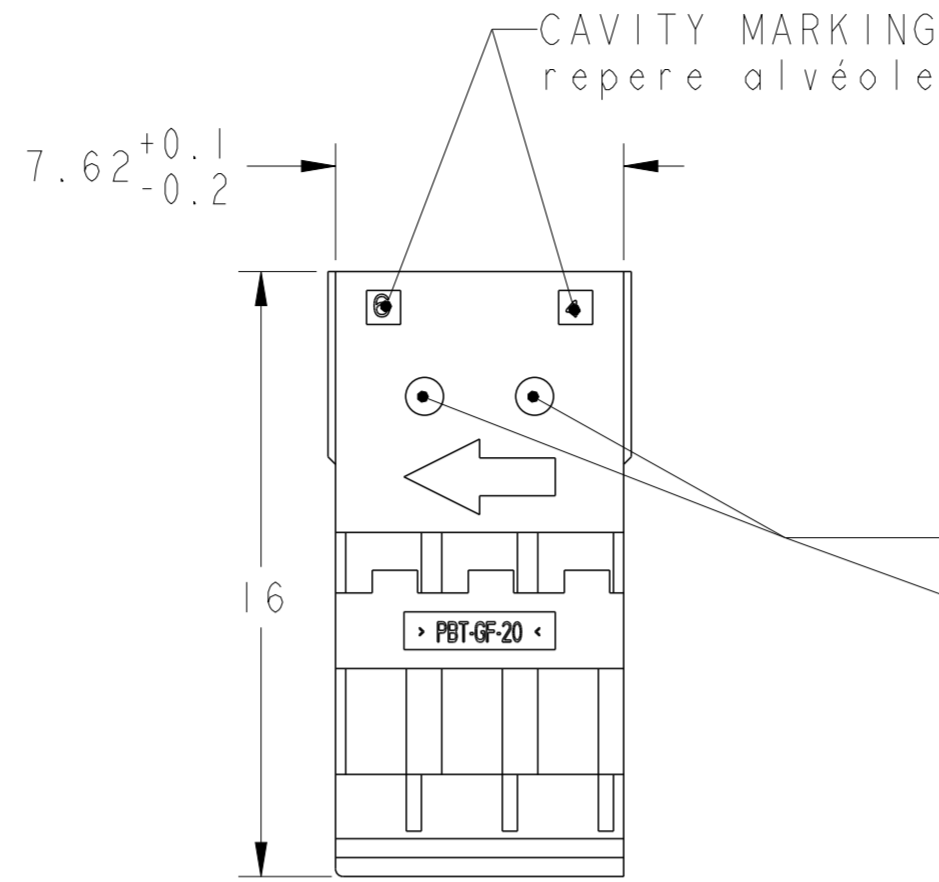
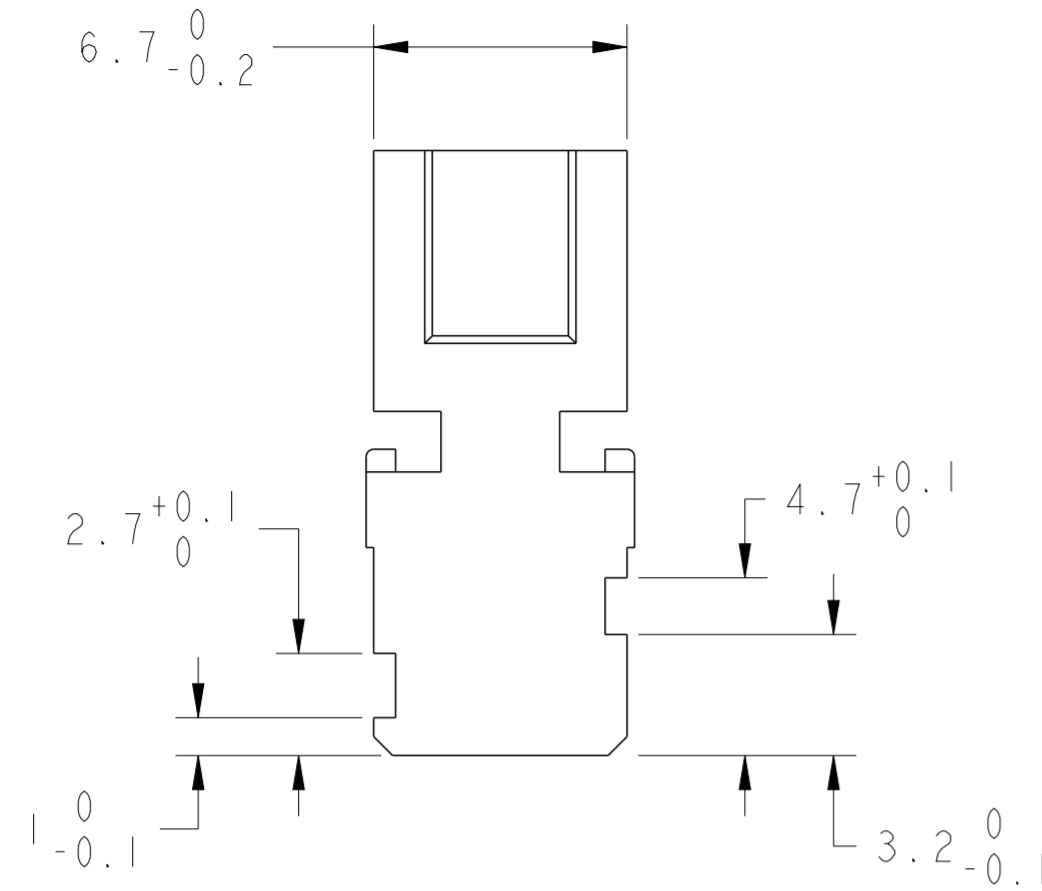


THIS DRAWING IS UNPUBLISHED.
 DIFFUSION RESTREINTE
 © COPYRIGHT 2008 BY -
 RELEASED FOR PUBLICATION
 LIBRE A LA DIFFUSION
 2008
 ALL RIGHTS RESERVED.
 TOUS DROITS RESERVES

LOC	DIST	REVISIONS					
F	00	P	LTR	DESCRIPTION MODIFICATIONS	DATE	DWN DESS.	APVD APP.
		A1		REVISED PER ECO-11-005150	28MAR2011	RK	HMR
		B		OTHER POSSIBLE SHAPE AND MARKING ADDED	02MAY2013	EC	XR
		C		UPDATED NEW TE LOGO	03JUL2019	RSR	XR



CAVITY MARKING
 repere alveole

PBT GF 20% PBF 20% FV	BLACK noir	185311-1
MATERIAL matiere	COLOR couleur	PART NO

DIMENSIONS:		TOLERANCES UNLESS OTHERWISE SPECIFIED: TOLERANCES NON SPECIFIEES (SUIV. NR DE DECIMALES)		APVD/APPROUVE		NAME TITRE	
mm		PL/POG ±0.2	PL/POG ±0.2	M. POLIFONIE	09APR2008	TE Connectivity	
		PL/POG ±0.2	PL/POG ±0.2	E. CHATELUS	09APR2008	SOCKET HOUSING 6W FOR MQS MODULE 6 VOIES MQS	
		PL/POG ±0.2	PL/POG ±0.2	X. ROUILLARD	09APR2008	SIZE FORMAT	RESTRICTED TO RESERVE A
MATERIAL/MATIERE	FINISH/FINITION	ANGLES ±5°		PRODUCT SPEC 108-15142	APPLICATION SPEC 411-15567	CAGE CODE A200779	DRAWING NO No PLAN C-185311
see table				WEIGHT MASSE APPROX. 0.6g	CUSTOMER DRAWING /PLAN CLIENT	UNIQUEMENT POUR REFERENCE	SCALE ECHELLE 6:1
						SHEET FEUILLE 1	OF DE 1
						REV C	