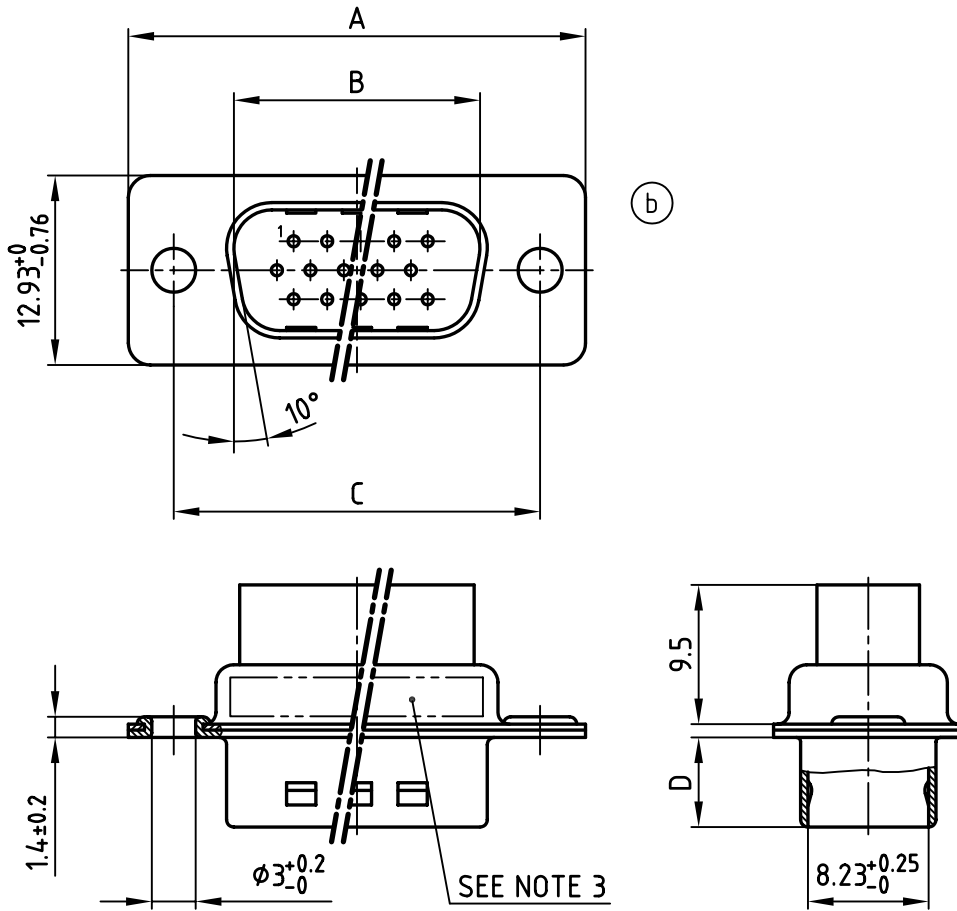


used for: D-SUB HD



POS.	A ^{-0.76}	B ^{+0.25}	C	D ^{-0.3}	Part-NO.
15	31.19	16.79	25.00 ^{+0.12} / _{-0.13}	6.12	163X10169X (303A505000X)
26	39.52	25.12	33.30 ^{+0.15} / _{-0.1}	6.12	163X10179X
44	53.42	38.84	47.04 ±0.13	5.99	163X10189X
62	69.70	55.30	63.50 ±0.13	5.99	163X10199X

(b) NOTES:

1. METALSHELLS: STEEL; min. 315µm TIN over 40-80µm Nickel
2. INSULATORS: PA 6.6 UL 94 V-0, BLACK
3. CONNECTOR IS PART MARKED: PART-NO. CONEC ABC

Directive 2002/95/EC
"RoHS"
Compliant

THIS DRAWING MAY NOT BE COPIED OR REPRODUCED IN ANY WAY, AND MAY NOT BE PASSED ON TO A THIRD PARTY WITHOUT WRITTEN PERMISSION.
OWNERSHIP AND COPYRIGHT OF CONEC GmbH
DO NOT ALTER CAD DRAWING BY HAND

tolerance		scale: 2:1	
2001	date	material: SEE NOTES	
drawn	12.03.	title: D-SUB HD MALE CRIMP-VERSION 15-62pos.	
appd.	12.03.	name: E. Mickenbecker	
norm		dwg no: AutoCAD 2000	
d-old		DIN-A 4	
2 x b	Ä 2574	14.09.06	
rev.	description	date	
		name	



material: SEE NOTES	
title: D-SUB HD MALE CRIMP-VERSION 15-62pos.	
dwg no: AutoCAD 2000	DIN-A 4
part no: SEE TABLE	

4

3

2

1