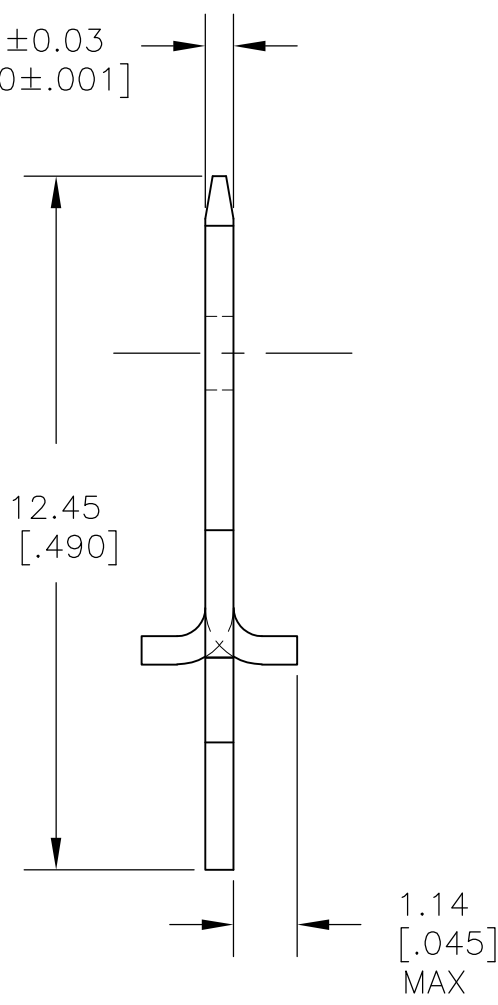
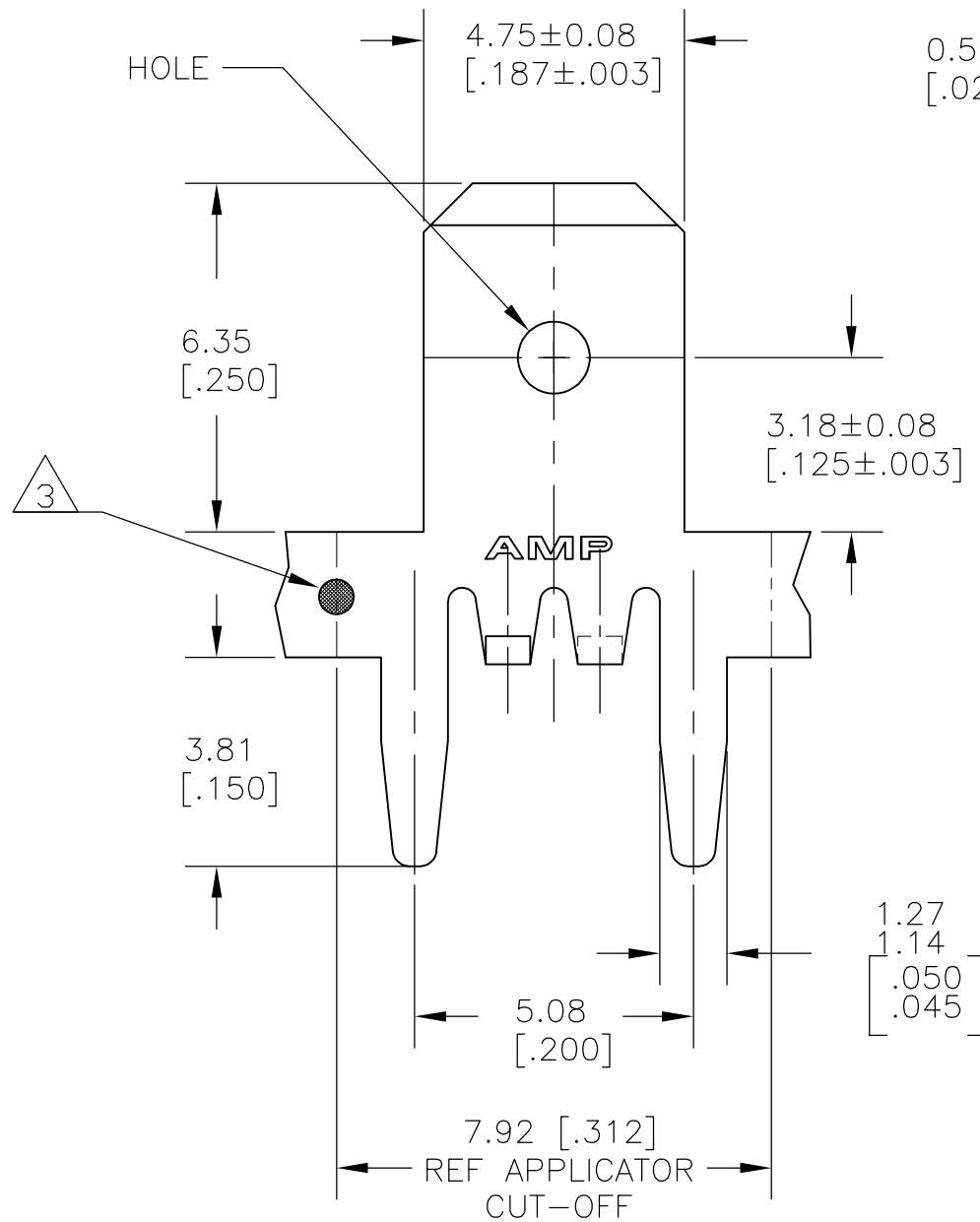
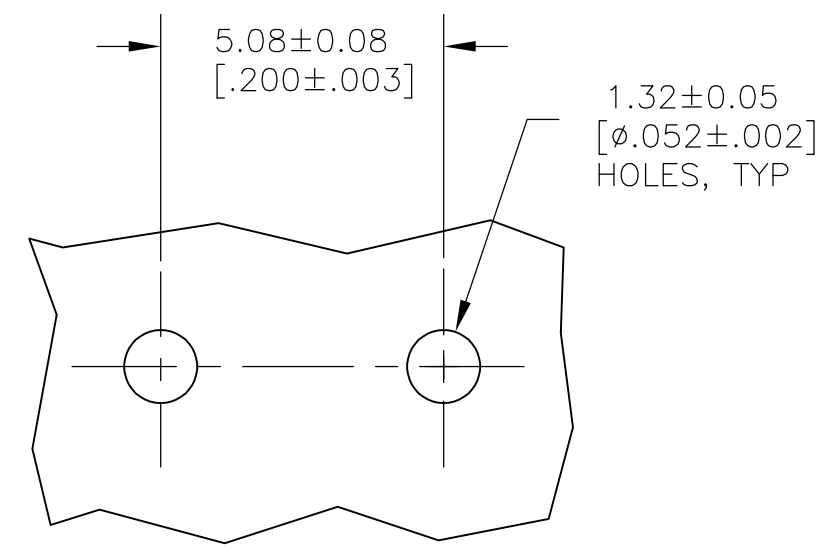


LOC	DIST	REVISIONS					
AF	50	P	LTR	DESCRIPTION	DATE	DWN	APVD
		L		REVISED PER ECR-13-001204	25JUN13	KH	PD



- 1 CONTINUOUS STRIP ON REELS.
- △2 TIN PLATE 0.00381 [.000150] MIN OVER 0.00254 [.000100] MIN COPPER OR TIN PLATE 0.00381 [.000150] MIN THK OVER 0.00127 [.000050] MIN THK NICKEL.
- △3 OPTIONAL ID MARK, LOCATED APPROX AS SHOWN.
- △4 REELED WITH INTERLEAVING PAPER



P.C. BOARD HOLE PATTERN

△4	---	63823-4
	63982-1	63823-1
	LOOSE PIECE P/N	PART NO.

THIS DRAWING IS A CONTROLLED DOCUMENT.		DWN	JR RUTH	13FEB01	TE Connectivity NAME TAB, FASTON, P.C.BOARD 4.75 [.187]
DIMENSIONS: mm[INCHES]		CHK	MS FEHER	13FEB01	
TOLERANCES UNLESS OTHERWISE SPECIFIED:		APVD	N DEIBERT	13FEB01	
0 PLC ± - 1 PLC ± - 2 PLC ± 0.25 [.010] 3 PLC ± - 4 PLC ± - ANGLES ± -		PRODUCT SPEC	-		
MATERIAL	BRASS	FINISH	△2	APPLICATION SPEC	114-2115
		WEIGHT	-	SIZE	A3
		CUSTOMER DRAWING		CAGE CODE	00779
				DRAWING NO	C-63823
				RESTRICTED TO	-
		SCALE	8:1	SHEET	1 of 1
				REV	L