

- 1
- 2
- 3
- 4
- 5
- 6
- 7
- 8
- 9
- 10
- 11
- 12
- 13
- 14
- 15
- 16
- 17
- 18

LEVER BODY

Glass-fibre reinforced polyamide based (PA) technopolymer, black colour, matte finish.

PUSH BUTTON

Technopolymer, black colour, matte finish.

STANDARD EXECUTIONS

Glass-fibre reinforced technopolymer clamping element with retaining pin, black colour, with knurling on the protruding part to make initial tightening easier. AISI 302 stainless steel return spring.

- **MRX-B:** brass boss, threaded blind hole.
- **MRX-SST:** AISI 303 stainless steel boss, threaded blind hole.
- **MRX-p:** zinc-plated steel threaded stud, chamfered flat end ISO 4753 (see Technical Data on page A-10).
- **MRX-SST-p:** AISI 303 stainless steel threaded stud, chamfered flat end ISO 4753 (see Technical Data on page A-10).

FEATURES AND APPLICATIONS

Particularly suitable when the lever turning angle is limited owing to lack of space.

Compared to other types of adjustable handles with metal retaining screw this solution offers:

- absolute electric insulation for the operator
- more comfortable lever release.

STRESS RESISTANCE

See ERX. on page 324.

OTHER EXECUTIONS AVAILABLE

Lever body in orange (C2) with black push button (C1).

Example: code 941131-C2-C1 description MRX.40-C2-B-10-C1

SPECIAL EXECUTIONS ON REQUEST

Lever body in RAL 7031 grey.

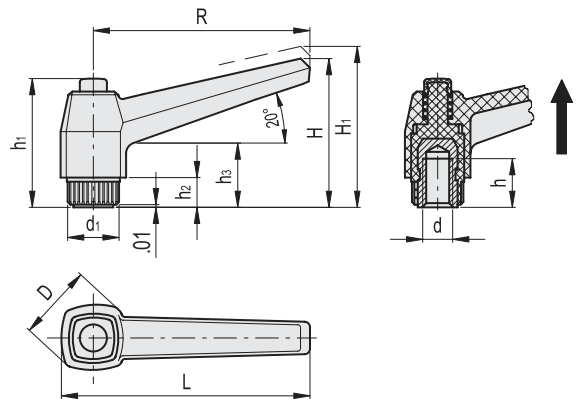
INSTRUCTIONS OF USE

For clamping, lift the lever to disengage the clamping device teeth and bring it back to start position. By releasing the lever, the return spring automatically engages the teeth.



MRX-B
MRX-SST

ELESA Original design

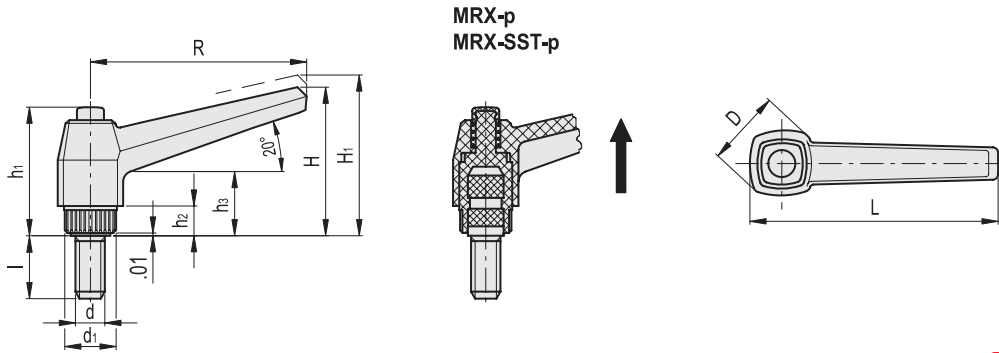


MRX-B

Code	Description	R	d2B	L	D	H	H1	h	h1	h2	h3	d1	Teeth nr	Δ
941131	MRX.40 B-10-24	1.65	10-24	1.97	0.71	1.26	1.4	0.39	1.14	0.24	0.55	0.47	18	0.02
941133	MRX.40 B-10-32	1.65	10-32	1.97	0.71	1.26	1.4	0.39	1.14	0.24	0.55	0.47	18	0.02
941141	MRX.40 B-1/4-20	1.65	1/4-20	1.97	0.71	1.26	1.4	0.39	1.14	0.24	0.55	0.47	18	0.03
941411	MRX.63 B-1/4-20	2.48	1/4-20	2.87	0.91	1.69	1.83	0.47	1.46	0.31	0.67	0.59	20	0.05
941421	MRX.63 B-5/16-18	2.48	5/16-18	2.87	0.91	1.69	1.83	0.51	1.46	0.31	0.67	0.59	20	0.05
942111	MRX.80 B-5/16-18	3.15	5/16-18	3.62	1.1	2.13	2.3	0.71	1.85	0.39	0.87	0.75	24	0.1
942121	MRX.80 B-3/8-16	3.15	3/8-16	3.62	1.1	2.13	2.3	0.67	1.85	0.39	0.87	0.75	24	0.11
942131	MRX.80 B-1/2-13	3.15	1/2-13	3.62	1.1	2.13	2.3	0.67	1.85	0.39	0.87	0.75	24	0.11
942501	MRX.100 B-3/8-16	3.94	3/8-16	4.49	1.3	2.56	2.74	0.79	2.13	0.47	0.98	0.98	28	0.17
942511	MRX.100 B-1/2-13	3.94	1/2-13	4.49	1.3	2.56	2.74	0.79	2.13	0.47	0.98	0.98	28	0.18

MRX-SST

Code	Description	R	d2B	L	D	H	H1	h	h1	h2	h3	d1	Teeth nr	Δ
941191	MRX.40-SST-1/4-20	1.65	1/4-20	1.97	0.71	1.26	1.4	0.39	1.14	0.24	0.55	0.47	18	0.03
941431	MRX.63-SST-5/16-18	2.48	5/16-18	2.87	0.91	1.69	1.83	0.51	1.46	0.31	0.67	0.59	20	0.05
942151	MRX.80-SST-3/8-16	3.15	3/8-16	3.62	1.1	2.13	2.3	0.67	1.85	0.39	0.87	0.75	24	0.1



MRX-p
MRX-SST-p

MRX-p

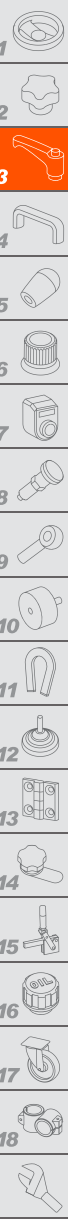
INCH

Code	Description	R	d2A	L	D	H	H1	h1	h2	h3	d1	l	Teeth nr	⚖
941221	MRX.40 p-10-24x3/4	1.65	10-24	1.97	0.71	1.26	1.4	1.14	0.24	0.55	0.47	0.750	18	0.03
941241	MRX.40 p-10-32x1/2	1.65	10-32	1.97	0.71	1.26	1.4	1.14	0.24	0.55	0.47	0.500	18	0.02
941243	MRX.40 p-10-32x3/4	1.65	10-32	1.97	0.71	1.26	1.4	1.14	0.24	0.55	0.47	0.750	18	0.02
941301	MRX.40 p-1/4-20x1/2	1.65	1/4-20	1.97	0.71	1.26	1.4	1.14	0.24	0.55	0.47	0.500	18	0.03
941321	MRX.40 p-1/4-20x3/4	1.65	1/4-20	1.97	0.71	1.26	1.4	1.14	0.24	0.55	0.47	0.750	18	0.03
941331	MRX.40 p-1/4-20x1	1.65	1/4-20	1.97	0.71	1.26	1.4	1.14	0.24	0.55	0.47	1.000	18	0.04
941341	MRX.40 p-1/4-20x1½	1.65	1/4-20	1.97	0.71	1.26	1.4	1.14	0.24	0.55	0.47	1.500	18	0.04
941441	MRX.63 p-1/4-20x1/2	2.48	1/4-20	2.87	0.91	1.69	1.83	1.46	0.31	0.67	0.59	0.500	20	0.06
941451	MRX.63 p-1/4-20x3/4	2.48	1/4-20	2.87	0.91	1.69	1.83	1.46	0.31	0.67	0.59	0.750	20	0.06
941461	MRX.63 p-1/4-20x1	2.48	1/4-20	2.87	0.91	1.69	1.83	1.46	0.31	0.67	0.59	1.000	20	0.07
941471	MRX.63 p-1/4-20x1½	2.48	1/4-20	2.87	0.91	1.69	1.83	1.46	0.31	0.67	0.59	1.500	20	0.07
941501	MRX.63 p-5/16-18x1/2	2.48	5/16-18	2.87	0.91	1.69	1.83	1.46	0.31	0.67	0.59	0.500	20	0.06
941511	MRX.63 p-5/16-18x3/4	2.48	5/16-18	2.87	0.91	1.69	1.83	1.46	0.31	0.67	0.59	0.750	20	0.07
941521	MRX.63 p-5/16-18x1	2.48	5/16-18	2.87	0.91	1.69	1.83	1.46	0.31	0.67	0.59	1.000	20	0.07
941531	MRX.63 p-5/16-18x1¼	2.48	5/16-18	2.87	0.91	1.69	1.83	1.46	0.31	0.67	0.59	1.250	20	0.08
941541	MRX.63 p-5/16-18x1½	2.48	5/16-18	2.87	0.91	1.69	1.83	1.46	0.31	0.67	0.59	1.500	20	0.09
941561	MRX.63 p-5/16-18x2	2.48	5/16-18	2.87	0.91	1.69	1.83	1.46	0.31	0.67	0.59	2.000	20	0.09
942201	MRX.80 p-3/8-16x3/4	3.15	3/8-16	3.62	1.1	2.13	2.3	1.85	0.39	0.87	0.75	0.750	24	0.13
942211	MRX.80 p-3/8-16x1	3.15	3/8-16	3.62	1.1	2.13	2.3	1.85	0.39	0.87	0.75	1.000	24	0.14
942221	MRX.80 p-3/8-16x1¼	3.15	3/8-16	3.62	1.1	2.13	2.3	1.85	0.39	0.87	0.75	1.250	24	0.15
942231	MRX.80 p-3/8-16x1½	3.15	3/8-16	3.62	1.1	2.13	2.3	1.85	0.39	0.87	0.75	1.500	24	0.15
942241	MRX.80 p-3/8-16x2	3.15	3/8-16	3.62	1.1	2.13	2.3	1.85	0.39	0.87	0.75	2.000	24	0.17
942321	MRX.80 p-1/2-13x1¼	3.15	1/2-13	3.62	1.1	2.13	2.3	1.85	0.39	0.87	0.75	1.250	24	0.18
942331	MRX.80 p-1/2-13x1½	3.15	1/2-13	3.62	1.1	2.13	2.3	1.85	0.39	0.87	0.75	1.500	24	0.18
942341	MRX.80 p-1/2-13x2	3.15	1/2-13	3.62	1.1	2.13	2.3	1.85	0.39	0.87	0.75	2.000	24	0.21
942601	MRX.100 p-1/2-13x1¼	3.94	1/2-13	4.49	1.3	2.56	2.74	2.13	0.47	0.98	0.98	1.250	28	0.24
942631	MRX.100 p-1/2-13x1½	3.94	1/2-13	4.49	1.3	2.56	2.74	2.13	0.47	0.98	0.98	1.500	28	0.26
942651	MRX.100 p-1/2-13x2	3.94	1/2-13	4.49	1.3	2.56	2.74	2.13	0.47	0.98	0.98	2.000	28	0.29

MRX-SST-p

INOX STAINLESS STEEL INCH

Code	Description	R	d2A	L	D	H	H1	h1	h2	h3	d1	l	Teeth nr	⚖
941361	MRX.40-SST-p-1/4-20x1/2	1.65	1/4-20	1.97	0.71	1.26	1.4	1.14	0.24	0.55	0.47	0.500	18	0.03
941365	MRX.40-SST-p-1/4-20x3/4	1.65	1/4-20	1.97	0.71	1.26	1.4	1.14	0.24	0.55	0.47	0.750	18	0.04
941371	MRX.40-SST-p-1/4-20x1	1.65	1/4-20	1.97	0.71	1.26	1.4	1.14	0.24	0.55	0.47	1.000	18	0.04
941611	MRX.63-SST-p-5/16-18x3/4	2.48	5/16-18	2.87	0.91	1.69	1.83	1.46	0.31	0.67	0.59	0.750	20	0.07
941615	MRX.63-SST-p-5/16-18x1	2.48	5/16-18	2.87	0.91	1.69	1.83	1.46	0.31	0.67	0.59	1.000	20	0.07
941621	MRX.63-SST-p-5/16-18x1¼	2.48	5/16-18	2.87	0.91	1.69	1.83	1.46	0.31	0.67	0.59	1.250	20	0.08
942381	MRX.80-SST-p-3/8-16x1	3.15	3/8-16	3.62	1.1	2.13	2.3	1.85	0.39	0.87	0.75	1.000	24	0.14
942385	MRX.80-SST-p-3/8-16x1¼	3.15	3/8-16	3.62	1.1	2.13	2.3	1.85	0.39	0.87	0.75	1.250	24	0.15
942391	MRX.80-SST-p-3/8-16x1½	3.15	3/8-16	3.62	1.1	2.13	2.3	1.85	0.39	0.87	0.75	1.500	24	0.15
942401	MRX.80-SST-p-3/8-16x2	3.15	3/8-16	3.62	1.1	2.13	2.3	1.85	0.39	0.87	0.75	2.000	24	0.17



Clamping levers