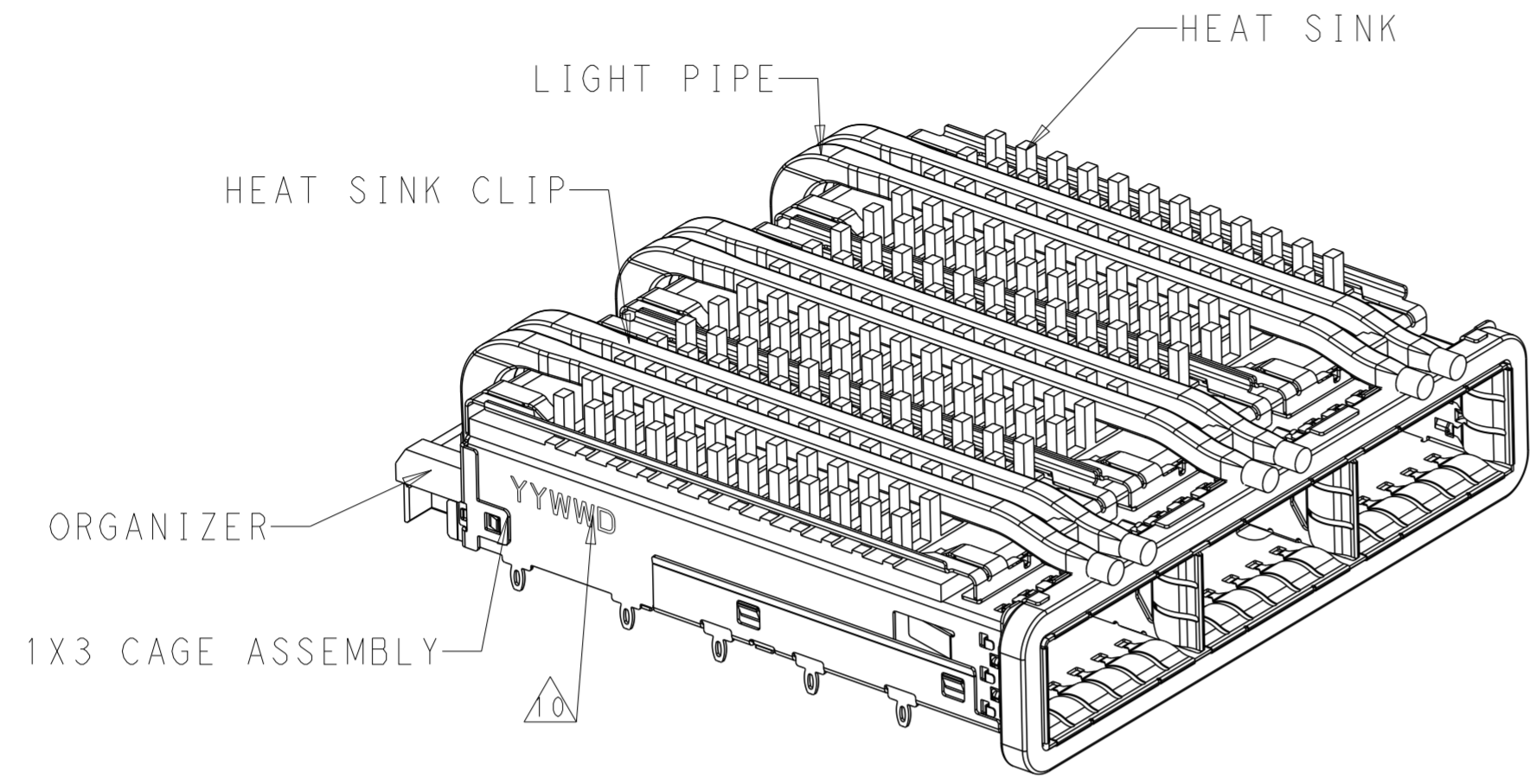


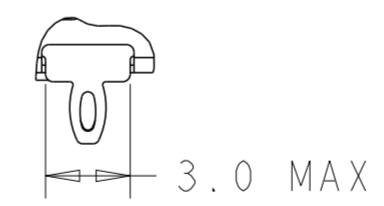
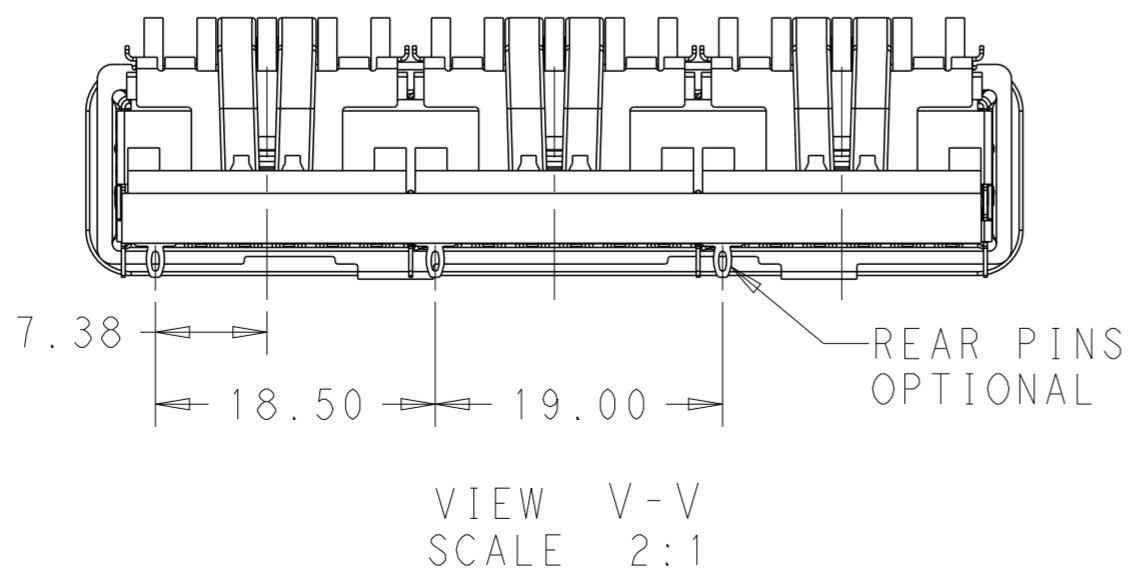
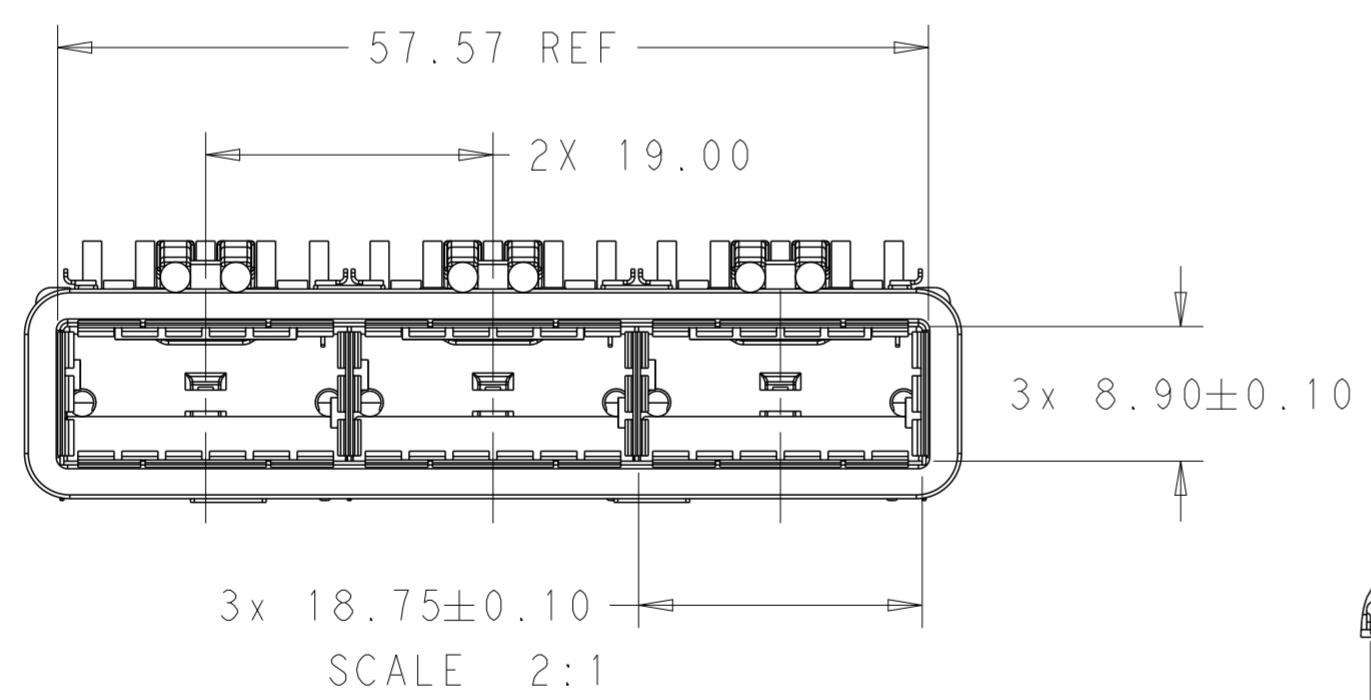
THIS DRAWING IS UNPUBLISHED. RELEASED FOR PUBLICATION 20  
 © COPYRIGHT 20 BY - ALL RIGHTS RESERVED.

LOC	DIST	REVISIONS					
		P	LTR	DESCRIPTION	DATE	DWN	APVD
GP	00	A		RELEASE	31DEC2015	JY	SH
		A1		REVISED PER ECO-19-016043	21OCT2019	SH	SH
		A2		REVISED PER ECN-22-163746	11JUL2022	IT	SZ

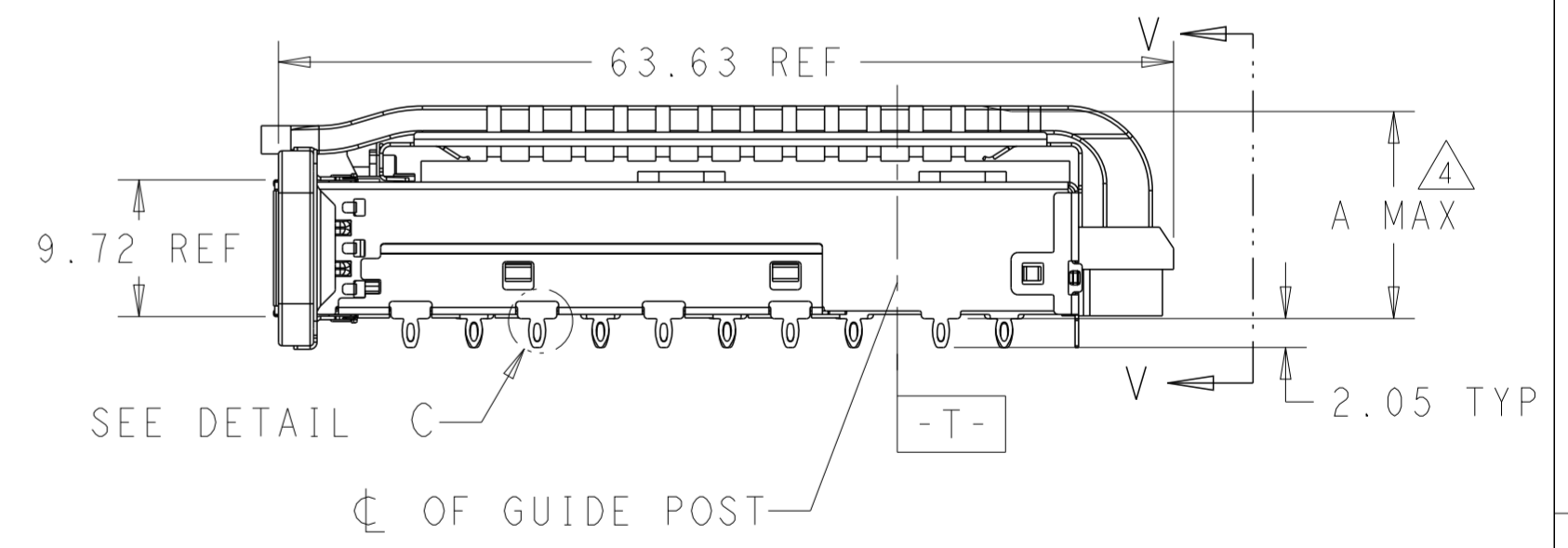


2-2170769-2 AS SHOWN  
SCALE 2:1

- COMPONENTS  
 CAGE ASSEMBLY: NICKEL-SILVER ALLOY  
 HEAT SINK: ALUMINUM/BLACK ANODIZE  
 HEAT SINK CLIP: STAINLESS STEEL  
 EMI GASKET: CONDUCTIVE RUBBER  
 LIGHT PIPE: CLEAR POLYCARBONATE  
 ORGANIZER: POLYESTER
- REFERENCE APPLICATION SPECIFICATION 114-32023 FOR RECOMMENDED DRILL HOLE DIAMETER AND PLATING THICKNESS
- DATUM AND BASIC DIMENSION ESTABLISHED BY CUSTOMER
- DIMENSION APPLIES WITH MODULE INSERTED IN CAGE
- HEAT SINKS, HEAT SINK CLIPS AND LIGHT PIPES ARE SHIPPED ASSEMBLED ON CAGE
- MINIMUM PC BOARD THICKNESS:  
 SINGLE SIDED: 1.57 MIN  
 DOUBLE SIDED: 3.00 MIN
- DATUM **-A-** IS TOP SURFACE OF THE HOST BOARD.
- THESE HOLES ARE OPTIONAL WHEN THE REAR PINS ARE REMOVED.
- MATES WITH QSFP28 MSA COMPATIBLE TRANSCEIVER.
- DATE CODE (YYWWD) MARKED APPROXIMATELY AS SHOWN.
- NOTED DIMENSIONS ONLY APPLY TO CAGE ASSEMBLY WITH LIGHT PIPE.



DETAIL C  
SCALE 4:1

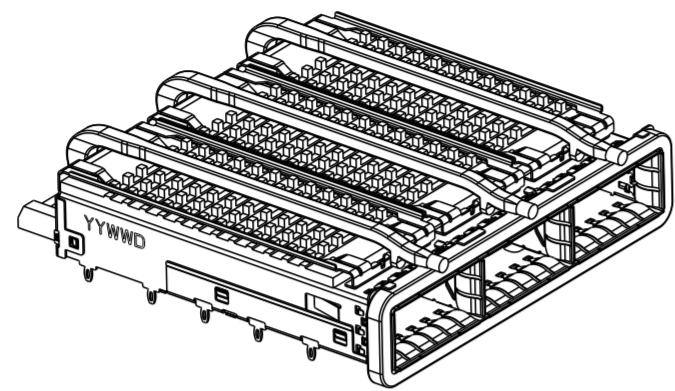


THIS DRAWING IS A CONTROLLED DOCUMENT.		DWN BING LIU 23APR2014	<b>STE</b> TE Connectivity	
		CHK JASON YANG 23APR2014		
DIMENSIONS: mm		APVD SEAN HAN 31DEC2015	NAME RECEPTACLE CAGE ASSEMBLY WITH HEAT SINKS AND LIGHT PIPES, THRU BEZEL, 1X3, QSFP28	
TOLERANCES UNLESS OTHERWISE SPECIFIED:		PRODUCT SPEC 108-19428	SIZE CAGE CODE DRAWING NO RESTRICTED TO	
0 PLC ±		APPLICATION SPEC 114-32023	A200779 C-2170769	
1 PLC ±0.25		WEIGHT -	SCALE 3:1 SHEET 1 OF 9 REV A2	
2 PLC ±0.2		CUSTOMER DRAWING		
3 PLC ±				
4 PLC ±				
ANGLES ±				
FINISH ±				
SEE NOTES		SEE NOTES		

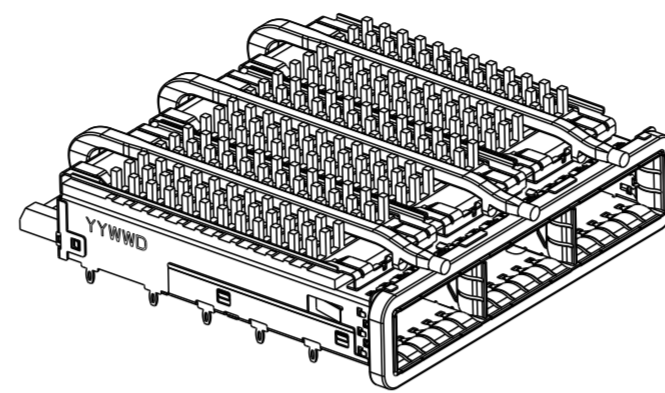
THIS DRAWING IS UNPUBLISHED. RELEASED FOR PUBLICATION 20  
 © COPYRIGHT 20 BY - ALL RIGHTS RESERVED.

LOC		DIST		REVISIONS			
P	LTR	DESCRIPTION		DATE	DWN	APVD	
rev_sym_1	16EW_8HBEI11			rev.date	rev.dwn	rev.appr	
rev_sym_2	rev_desc_2			rev.date	rev.dwn	rev.appr	
rev_sym_3	rev_desc_3			rev.date	rev.dwn	rev.appr	
rev_sym_4	rev_desc_4			rev.date	rev.dwn	rev.appr	

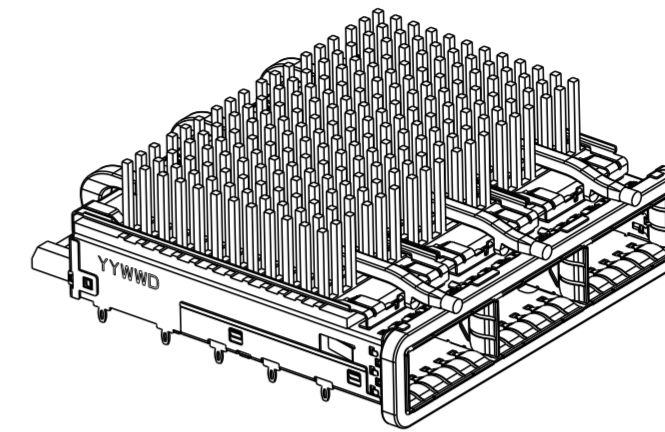
### HEAT SINK OPTION



SCALE 1:1

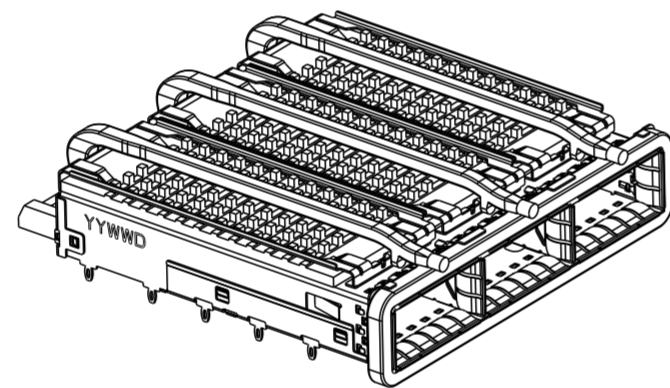


SCALE 1:1

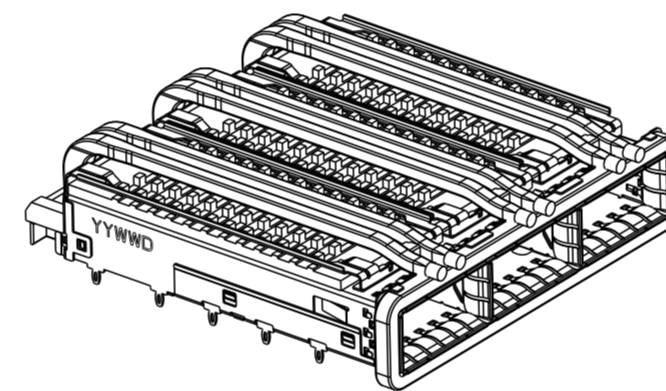


SCALE 1:1

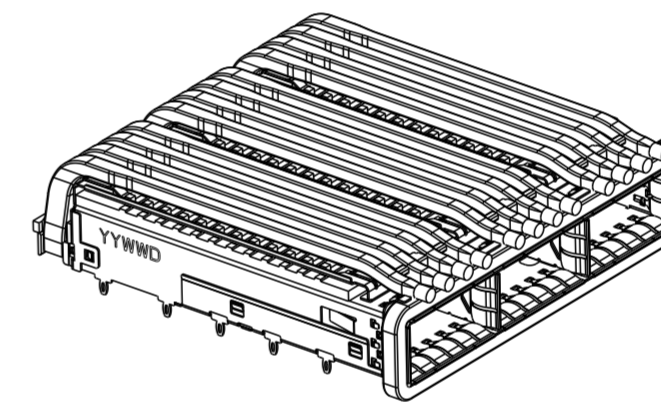
### LIGHT PIPE OPTION



SCALE 1:1

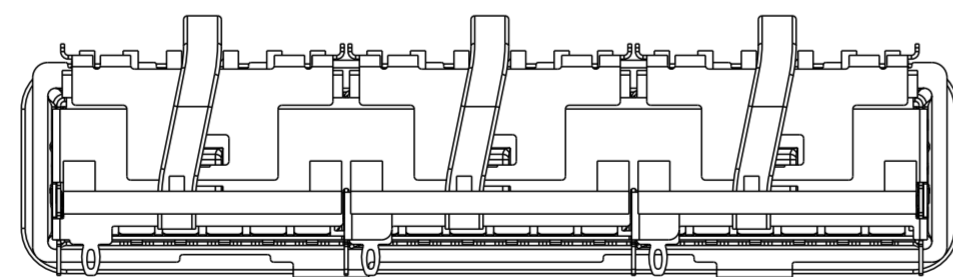


SCALE 1:1

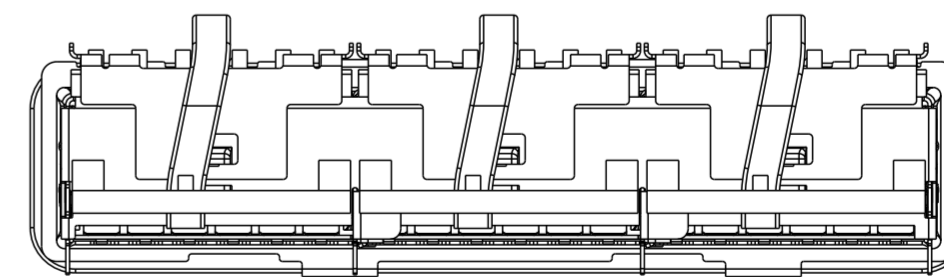


SCALE 1:1


### # OF REAR PIN OPTION



1 REAR PIN  
SCALE 2:1



0 REAR PIN  
SCALE 2:1

THIS DRAWING IS A CONTROLLED DOCUMENT.		DWN BING LIU 23APR2014	 TE Connectivity
DIMENSIONS: mm		CHK JASON YANG 23APR2014	
TOLERANCES UNLESS OTHERWISE SPECIFIED: 0 PLC ± 1 PLC ±0.25 2 PLC ±0.2 3 PLC ± 4 PLC ± ANGLES ±		APVD SEAN HAN 31DEC2015	NAME RECEPTACLE CAGE ASSEMBLY WITH HEAT SINKS AND LIGHT PIPES, THRU BEZEL, 1X3, QSFP28
MATERIAL SEE NOTES material_2		PRODUCT SPEC 108-19428	SIZE A2
FINISH SEE NOTES finish_spec_2		APPLICATION SPEC 114-32023	CAGE CODE 00779
		WEIGHT -	DRAWING NO C-2170769
		CUSTOMER DRAWING	RESTRICTED TO -
		SCALE 3:1	SHEET 1 OF 9
			REV A2

THIS DRAWING IS UNPUBLISHED. RELEASED FOR PUBLICATION 20  
 © COPYRIGHT 20 BY - ALL RIGHTS RESERVED.

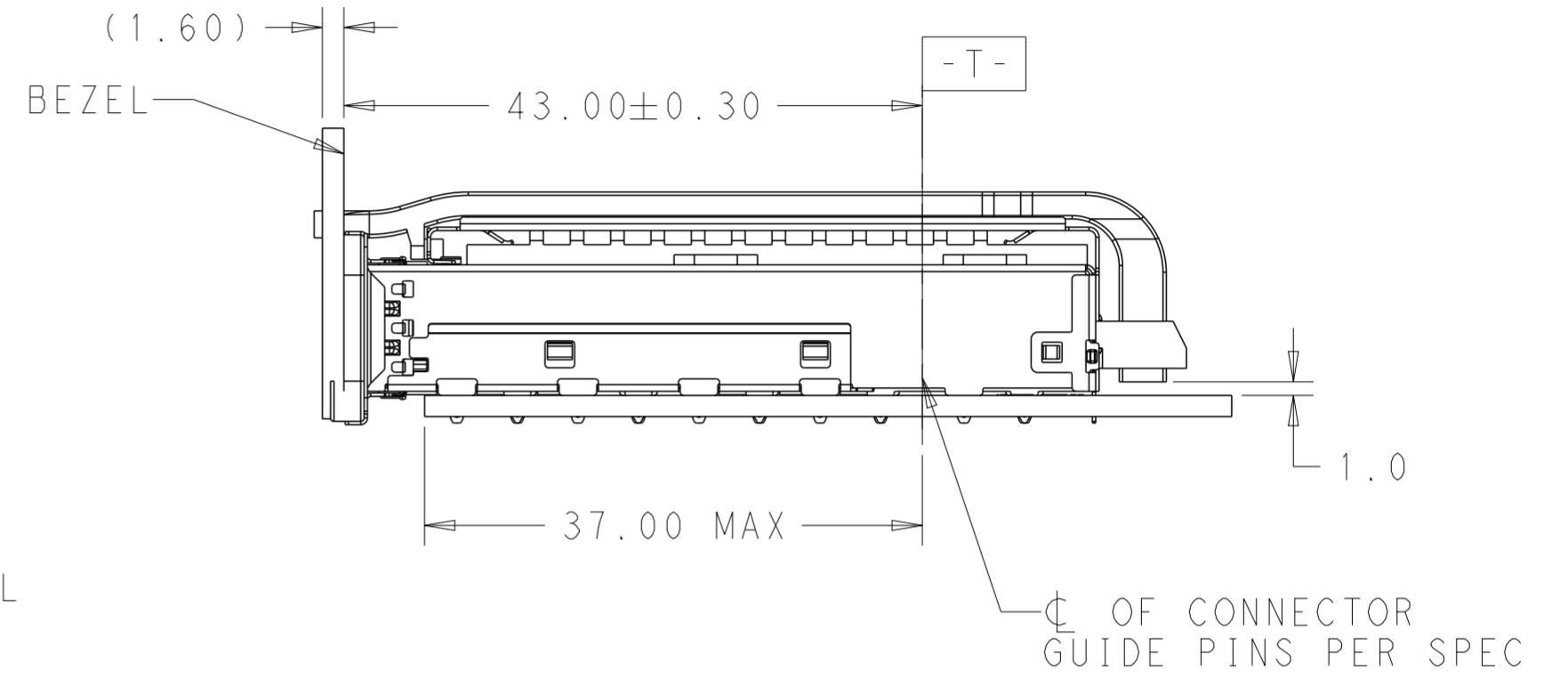
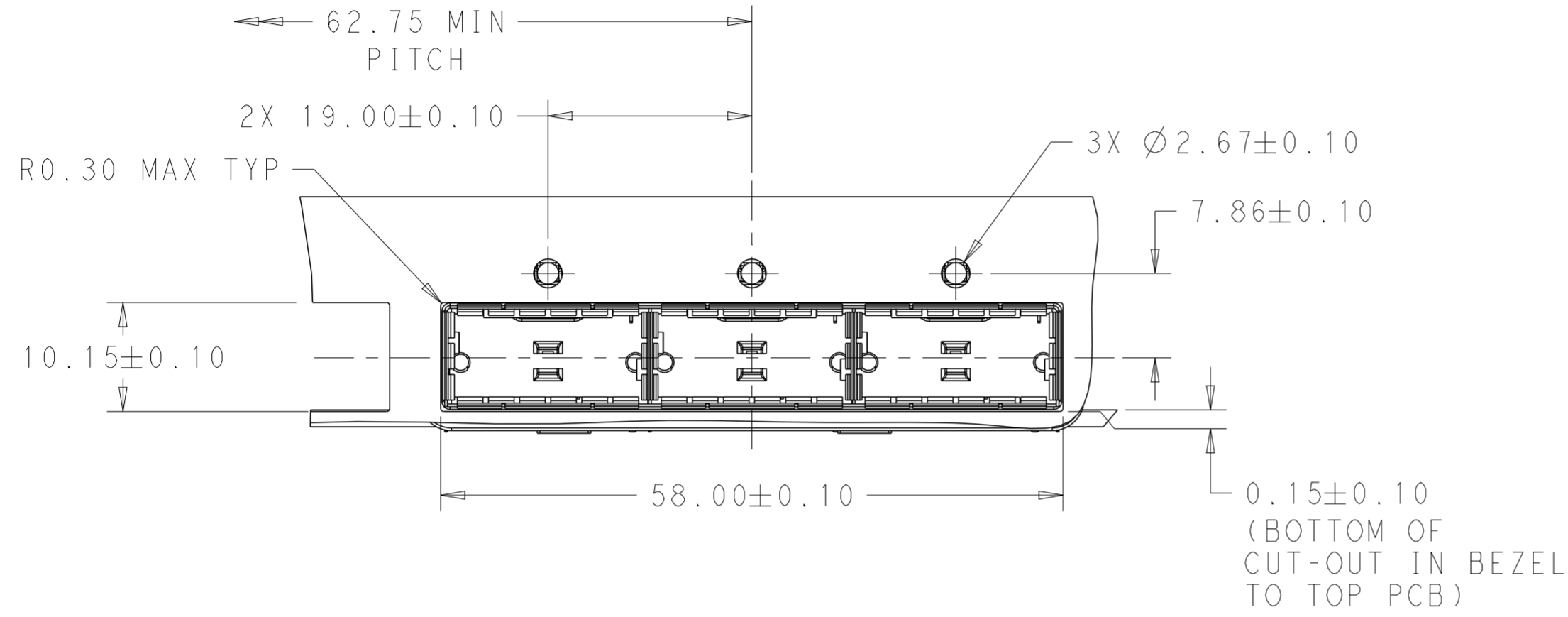
LOC	DIST	REVISIONS			
P	LTR	DESCRIPTION	DATE	DWN	APVD
rev_sym_1	1666-8H6E11		rev.date	rev.dwn	rev.appr
rev_sym_2	rev_desc_2		rev.date	rev.dwn	rev.appr
rev_sym_3	rev_desc_3		rev.date	rev.dwn	rev.appr
rev_sym_4	rev_desc_4		rev.date	rev.dwn	rev.appr

0	23.0	QUAD	NETWORKING	4-2170769-6
0	16.0	QUAD	SAN	4-2170769-5
0	13.7	QUAD	PCI	4-2170769-4
1	23.0	QUAD	NETWORKING	4-2170769-3
1	16.0	QUAD	SAN	4-2170769-2
1	13.7	QUAD	PCI	4-2170769-1
0	23.0	DUAL	NETWORKING	2-2170769-6
0	16.0	DUAL	SAN	2-2170769-5
0	13.7	DUAL	PCI	2-2170769-4
1	23.0	DUAL	NETWORKING	2-2170769-3
1	16.0	DUAL	SAN	2-2170769-2
1	13.7	DUAL	PCI	2-2170769-1
0	16.0	SINGLE	W/O HS	2170769-7
0	23.0	SINGLE	NETWORKING	2170769-6
0	16.0	SINGLE	SAN	2170769-5
0	13.7	SINGLE	PCI	2170769-4
1	23.0	SINGLE	NETWORKING	2170769-3
1	16.0	SINGLE	SAN	2170769-2
1	13.7	SINGLE	PCI	2170769-1
# OF REAR PIN	DIM A	LIGHT PIPE OPTION	APPLICATION	PART NUMBER

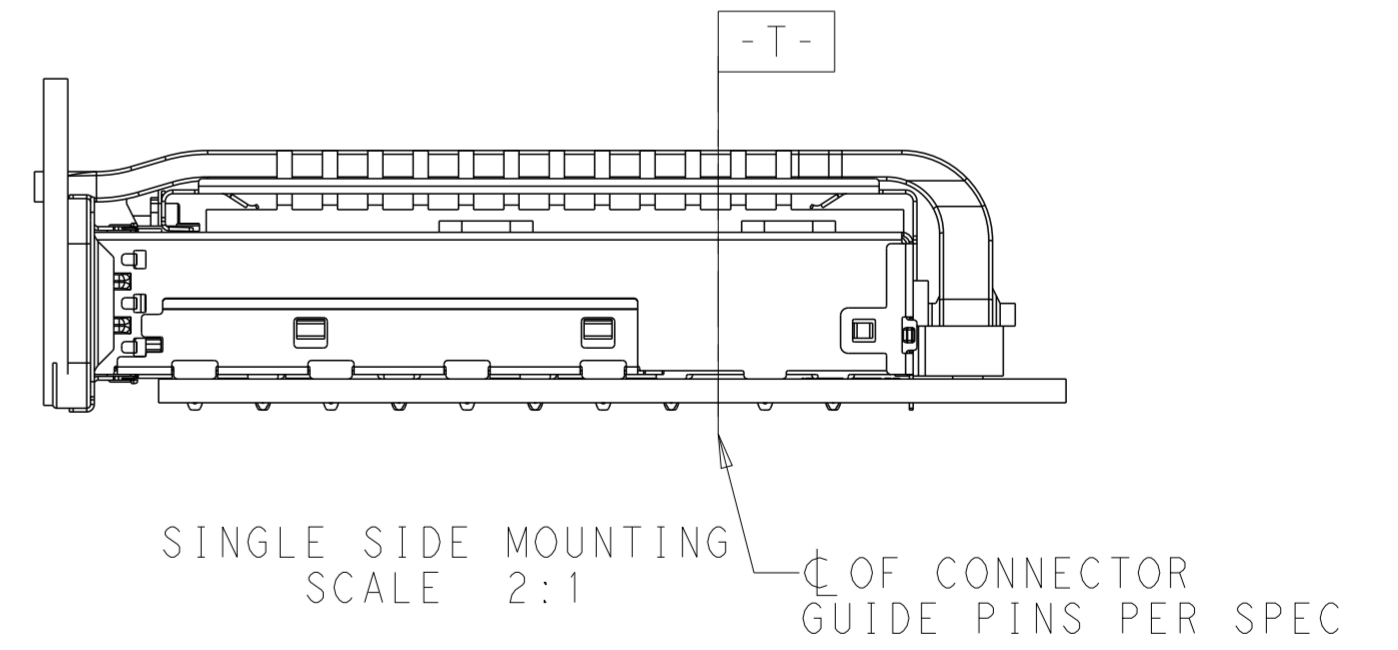
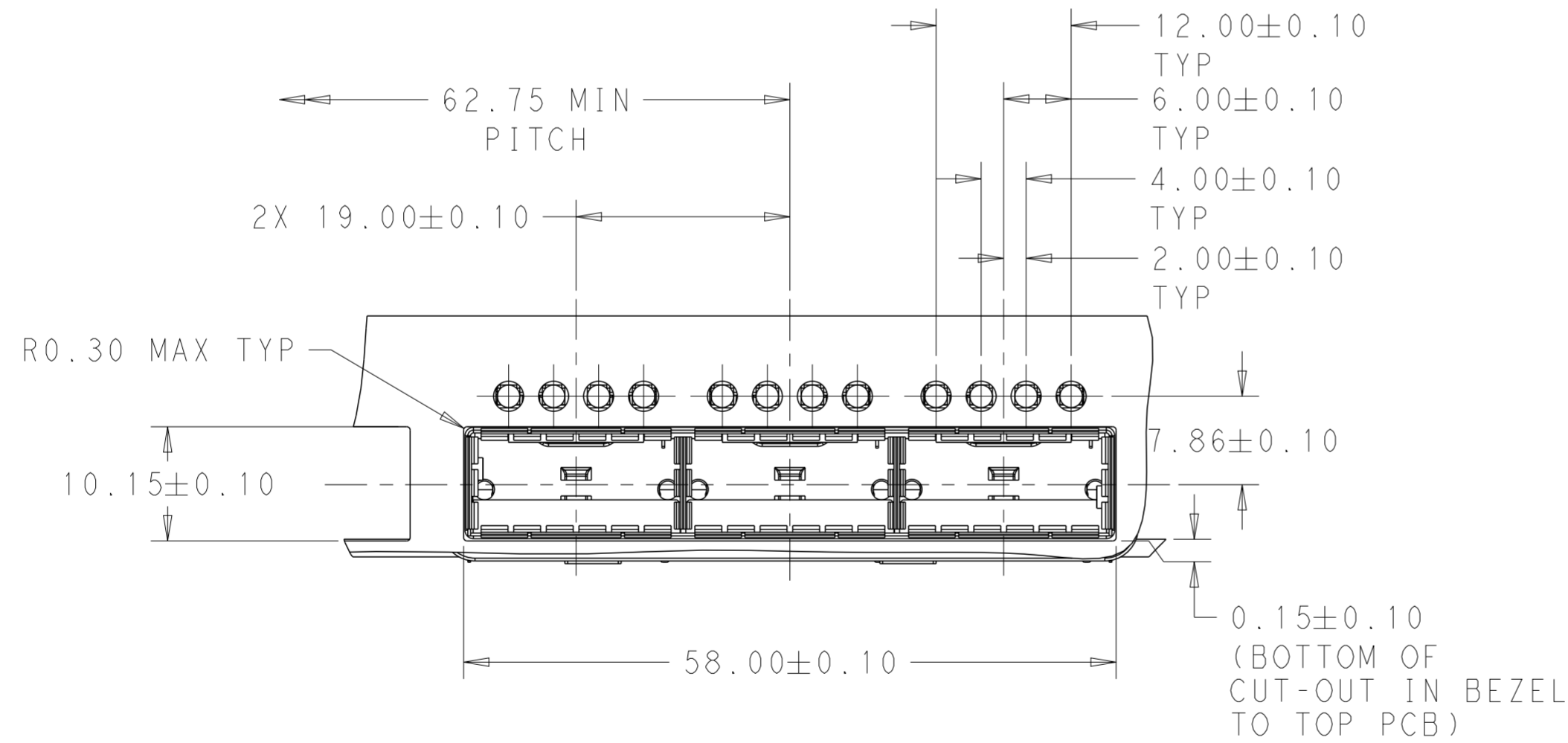
THIS DRAWING IS A CONTROLLED DOCUMENT.		DWN BING LIU 23APR2014	<b>STE</b> TE Connectivity	
DIMENSIONS: mm		CHK JASON YANG 23APR2014		
TOLERANCES UNLESS OTHERWISE SPECIFIED:		APVD SEAN HAN 31DEC2015	NAME RECEPTACLE CAGE ASSEMBLY WITH HEAT SINKS AND LIGHT PIPES, THRU BEZEL, 1X3, QSFP28	
0 PLC ± 1 PLC ±0.25 2 PLC ±0.2 3 PLC ± 4 PLC ±		PRODUCT SPEC 108-19428	RESTRICTED TO	
MATERIAL SEE NOTES material_2		APPLICATION SPEC 114-32023	SIZE A2	CAGE CODE 00779
FINISH SEE NOTES finish_spec_2		WEIGHT -	DRAWING NO C-2170769	SCALE 3:1
		CUSTOMER DRAWING	SHEET 1 OF 9	REV A2

THIS DRAWING IS UNPUBLISHED. RELEASED FOR PUBLICATION 20  
 © COPYRIGHT 20 BY - ALL RIGHTS RESERVED.

LOC		DIST		REVISIONS			
P	LTR	DESCRIPTION		DATE	DWN	APVD	
rev_sym_1	16EW-8HBEI11			rev.date	rev.dwn	rev.appr	1
rev_sym_2	rev_desc_2			rev.date	rev.dwn	rev.appr	2
rev_sym_3	rev_desc_3			rev.date	rev.dwn	rev.appr	3
rev_sym_4	rev_desc_4			rev.date	rev.dwn	rev.appr	4



SINGLE SIDE MOUNTING  
SCALE 2:1

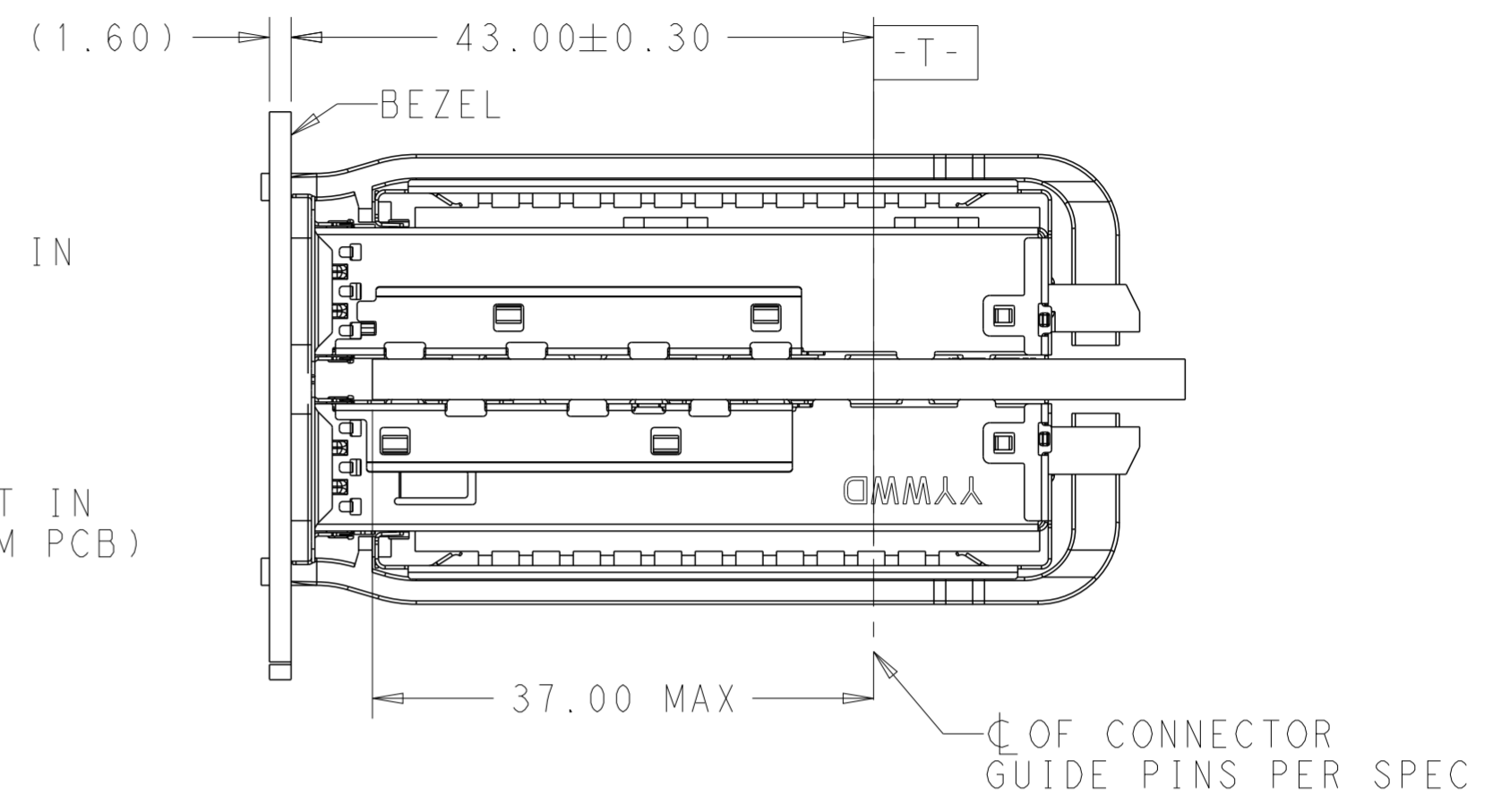
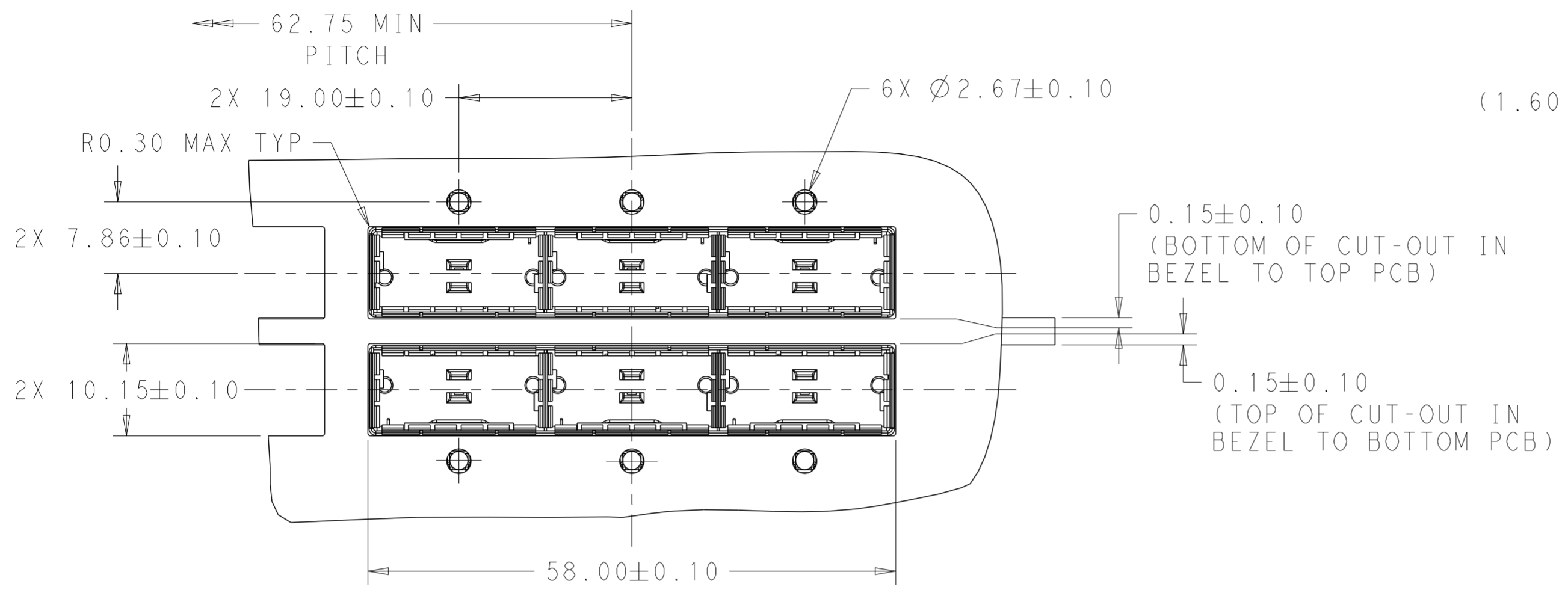


SINGLE SIDE MOUNTING  
SCALE 2:1

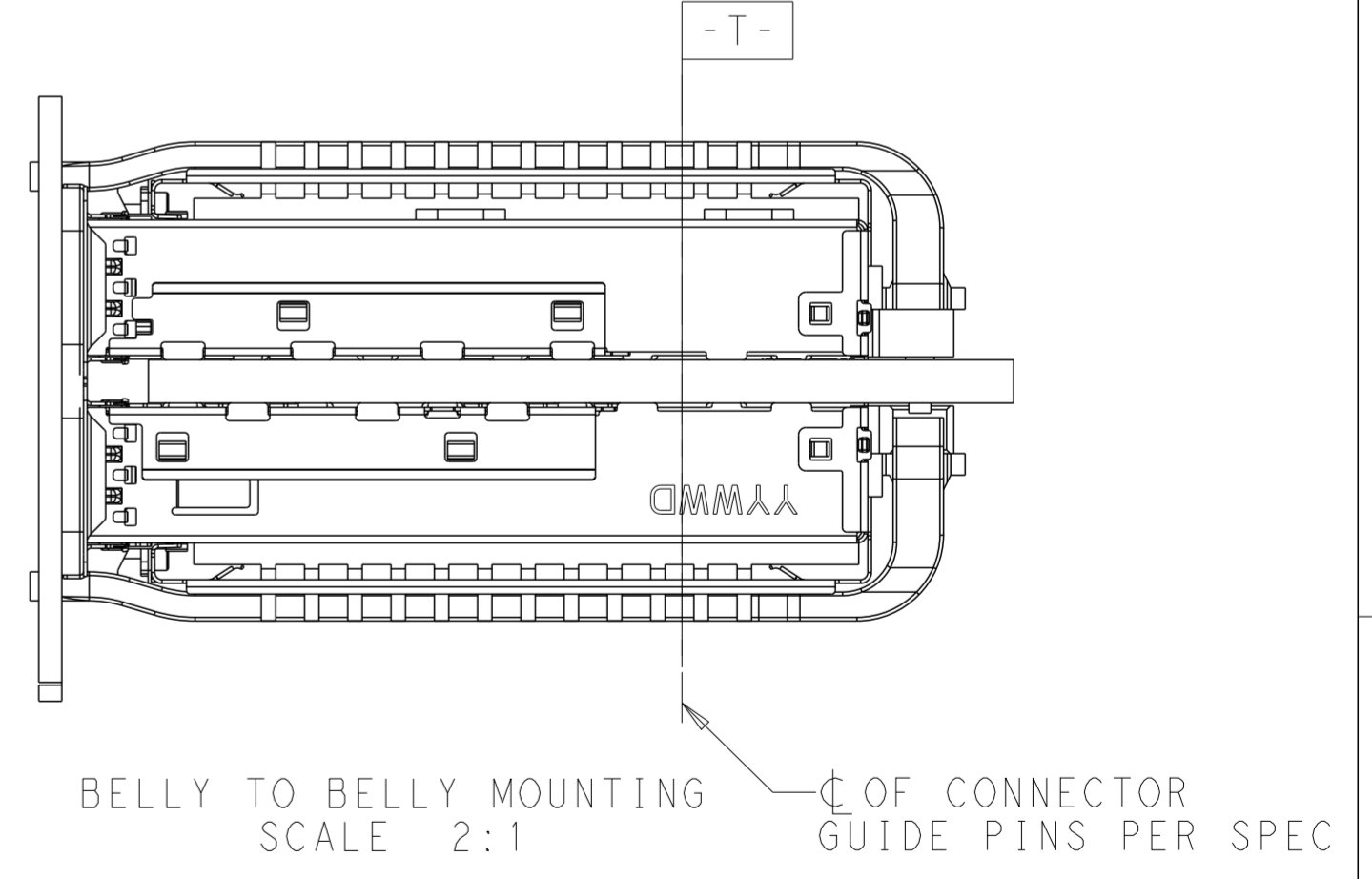
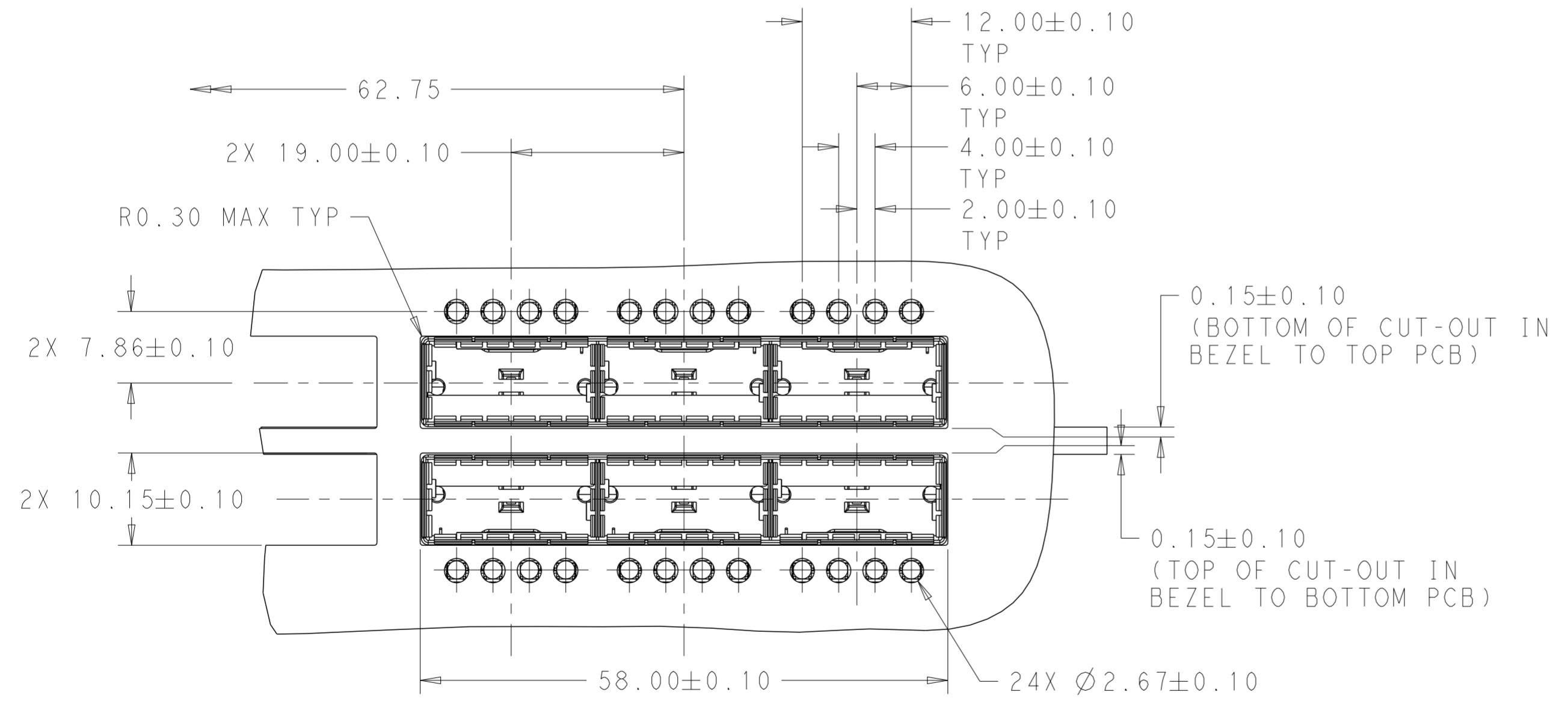
THIS DRAWING IS A CONTROLLED DOCUMENT.		DWN BING LIU 23APR2014	TE Connectivity	
DIMENSIONS: mm		CHK JASON YANG 23APR2014		
TOLERANCES UNLESS OTHERWISE SPECIFIED:		APVD SEAN HAN 31DEC2015	NAME RECEPTACLE CAGE ASSEMBLY WITH HEAT SINKS AND LIGHT PIPES, THRU BEZEL, 1X3, QSFP28	
0 PLC ± 1 PLC ±0.25 2 PLC ±0.2 3 PLC ± 4 PLC ± ANGLES ± FINISH		PRODUCT SPEC 108-19428	SIZE A2	CAGE CODE 00779
MATERIAL SEE NOTES material_2		APPLICATION SPEC 114-32023	DRAWING NO C-2170769	RESTRICTED TO -
SEE NOTES finish_spec_2		WEIGHT -	SCALE 3:1	SHEET 1 OF 9
CUSTOMER DRAWING		REV A2		

THIS DRAWING IS UNPUBLISHED. RELEASED FOR PUBLICATION 20  
 © COPYRIGHT 20 BY - ALL RIGHTS RESERVED.

LOC		DIST		REVISIONS			
P	LTR	DESCRIPTION		DATE	DWN	APVD	
rev_sym_1	16EE-8HBEI11			rev.date	rev.dwn	rev.appr	1
rev_sym_2	rev_desc_2			rev.date	rev.dwn	rev.appr	2
rev_sym_3	rev_desc_3			rev.date	rev.dwn	rev.appr	3
rev_sym_4	rev_desc_4			rev.date	rev.dwn	rev.appr	4



BELLY TO BELLY MOUNTING SCALE 2:1

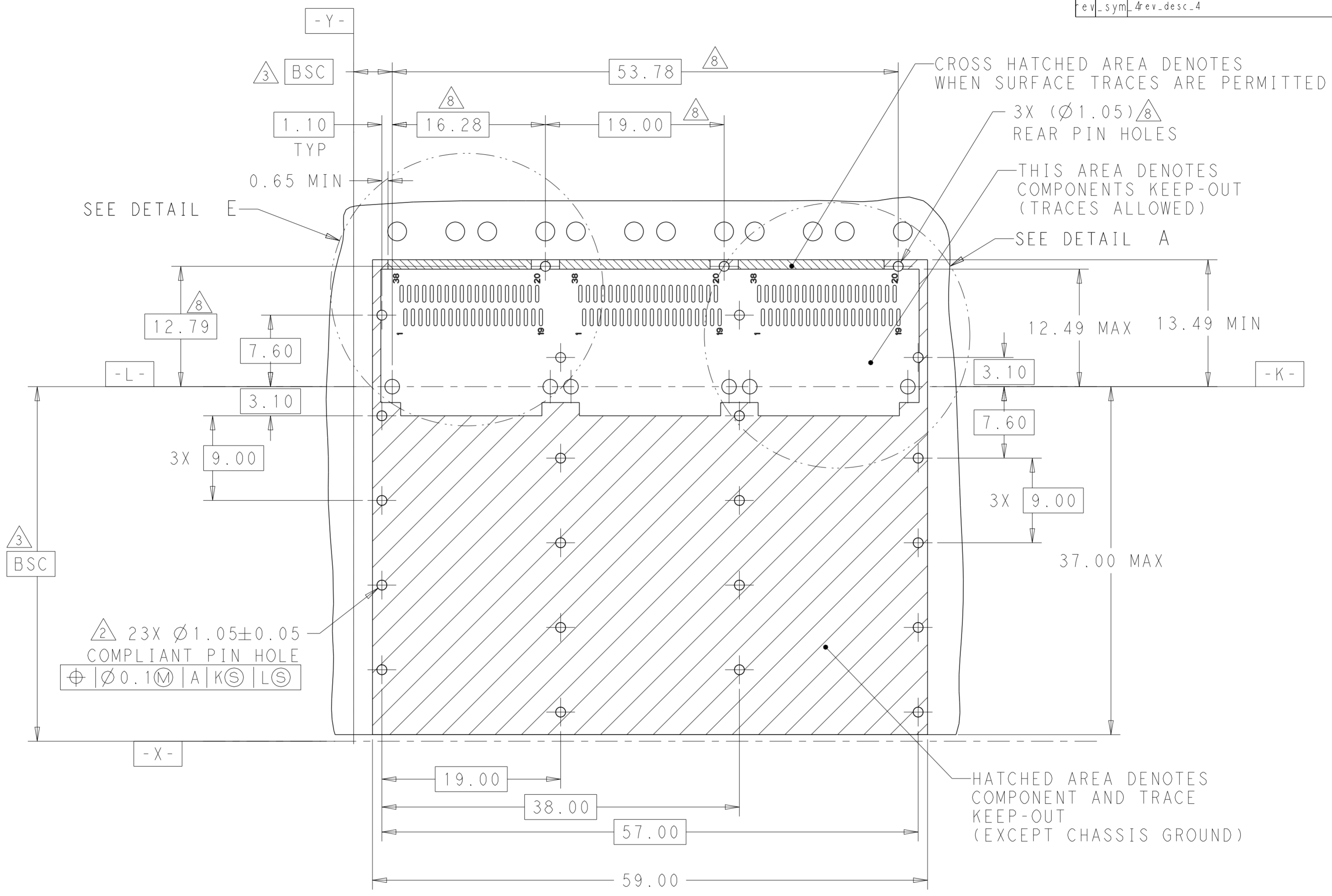


BELLY TO BELLY MOUNTING SCALE 2:1

THIS DRAWING IS A CONTROLLED DOCUMENT.		DWN BING LIU 23APR2014	TE Connectivity	
DIMENSIONS: mm		CHK JASON YANG 23APR2014		
TOLERANCES UNLESS OTHERWISE SPECIFIED:		APVD SEAN HAN 31DEC2015	NAME RECEPTACLE CAGE ASSEMBLY WITH HEAT SINKS AND LIGHT PIPES, THRU BEZEL, 1X3, QSFP28	
0 PLC ±		PRODUCT SPEC 108-19428	SIZE CAGE CODE DRAWING NO	
1 PLC ±0.25		APPLICATION SPEC 114-32023	RESTRICTED TO	
2 PLC ±0.2		WEIGHT -	A200779C-2170769	
3 PLC ±		SCALE 3:1 SHEET 1 OF 9 REV A2		
4 PLC ±		CUSTOMER DRAWING		
ANGLES ±				
FINISH SEE NOTES				
finish_spec_2				

THIS DRAWING IS UNPUBLISHED. RELEASED FOR PUBLICATION 20  
 © COPYRIGHT 20 BY - ALL RIGHTS RESERVED.

LOC		DIST		REVISIONS			
P	LTR	DESCRIPTION	DATE	DWN	APVD		
rev_sym_1	16E-8HHEI11						1
rev_sym_2	rev_desc_2						2
rev_sym_3	rev_desc_3						3
rev_sym_4	rev_desc_4						4

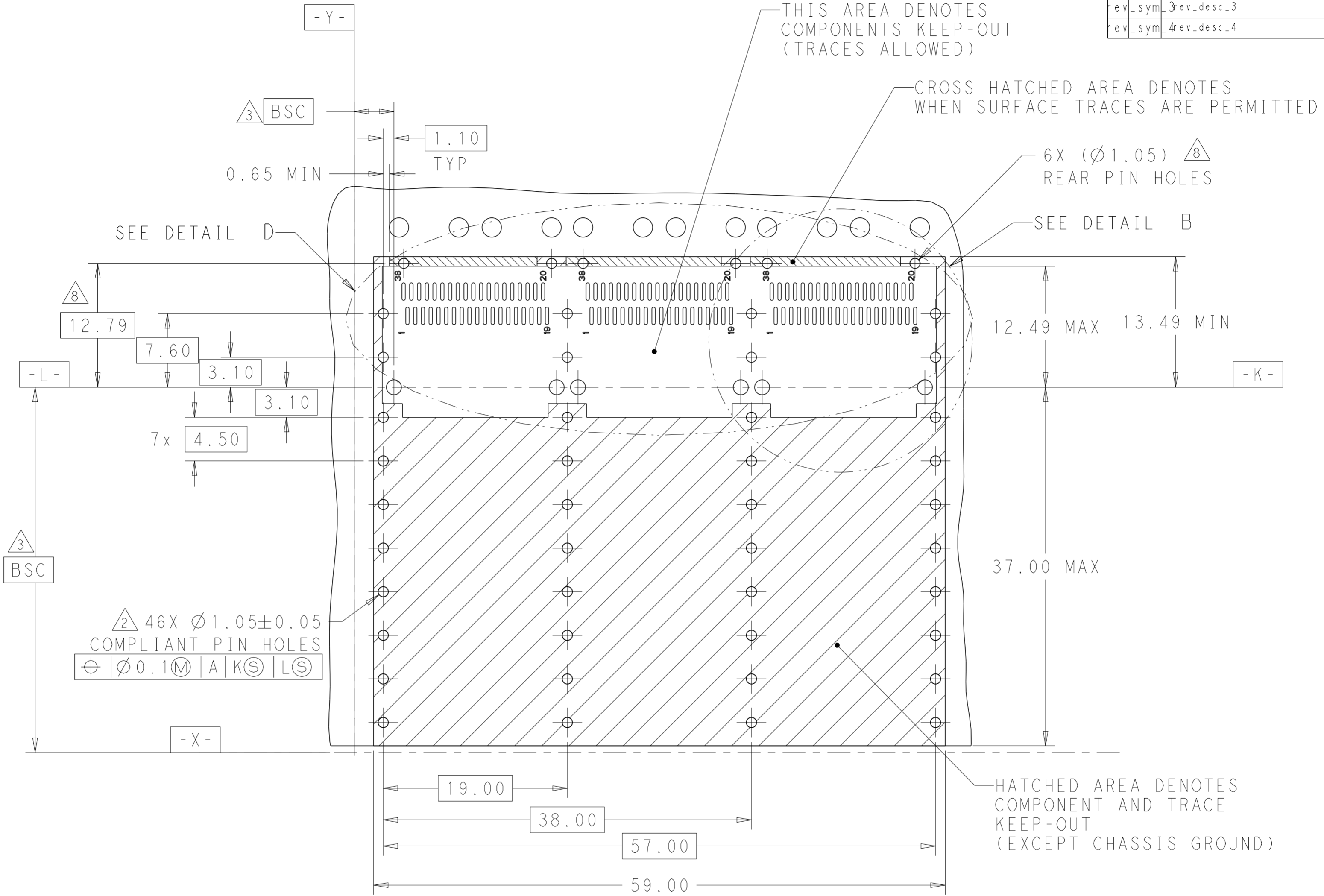


RECOMMENDED PCB LAYOUT  
 SINGLE TYPE  
 PCB TOLERANCE: ±0.05  
 SCALE 3:1

THIS DRAWING IS A CONTROLLED DOCUMENT.		DWN BING LIU 23APR2014	TE Connectivity	
DIMENSIONS: mm		CHK JASON YANG 23APR2014		
TOLERANCES UNLESS OTHERWISE SPECIFIED:		APVD SEAN HAN 31DEC2015	NAME RECEPTACLE CAGE ASSEMBLY WITH HEAT SINKS AND LIGHT PIPES, THRU BEZEL, 1X3, QSFP28	
0 PLC ± 1 PLC ±0.25 2 PLC ±0.2 3 PLC ± 4 PLC ±		PRODUCT SPEC 108-19428	SIZE A2	
MATERIAL SEE NOTES material_2		APPLICATION SPEC 114-32023	CAGE CODE 00779	DRAWING NO C-2170769
FINISH SEE NOTES finish_spec_2		WEIGHT -	RESTRICTED TO -	SCALE 3:1 SHEET 1 OF 9 REV A2
		CUSTOMER DRAWING		

THIS DRAWING IS UNPUBLISHED. RELEASED FOR PUBLICATION 20  
 © COPYRIGHT 20 BY - ALL RIGHTS RESERVED.

LOC		DIST		REVISIONS			
P	LTR	DESCRIPTION	DATE	DWN	APVD		
rev_sym_1	1666-8HBEI11		rev.date	rev.dwn	rev.appr	.1	
rev_sym_2	rev_desc_2		rev.date	rev.dwn	rev.appr	.2	
rev_sym_3	rev_desc_3		rev.date	rev.dwn	rev.appr	.3	
rev_sym_4	rev_desc_4		rev.date	rev.dwn	rev.appr	.4	

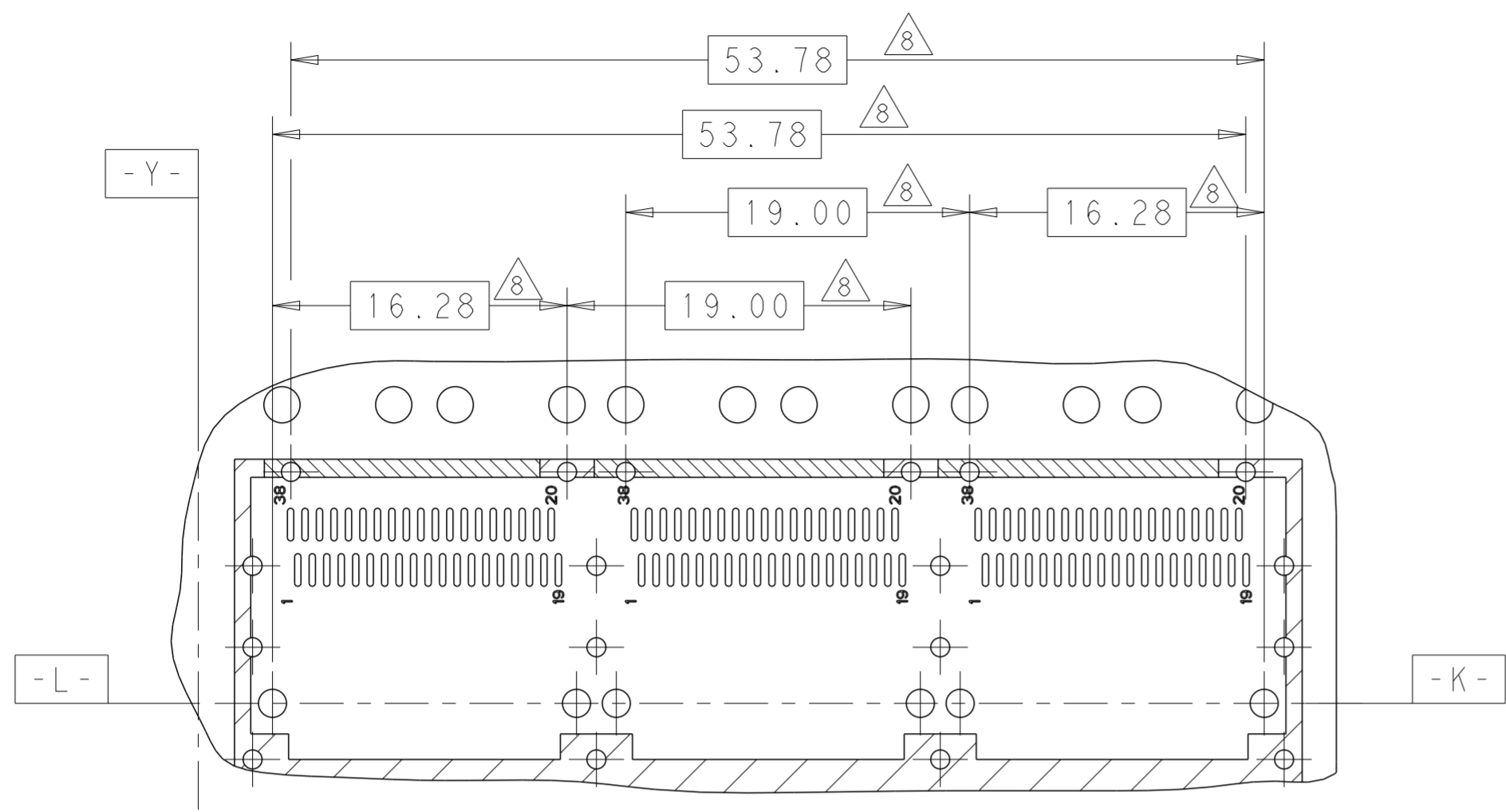


RECOMMENDED PCB LAYOUT  
 BELLY TO BELLY TYPE  
 PCB TOLERANCE: ±0.05  
 SCALE 3:1

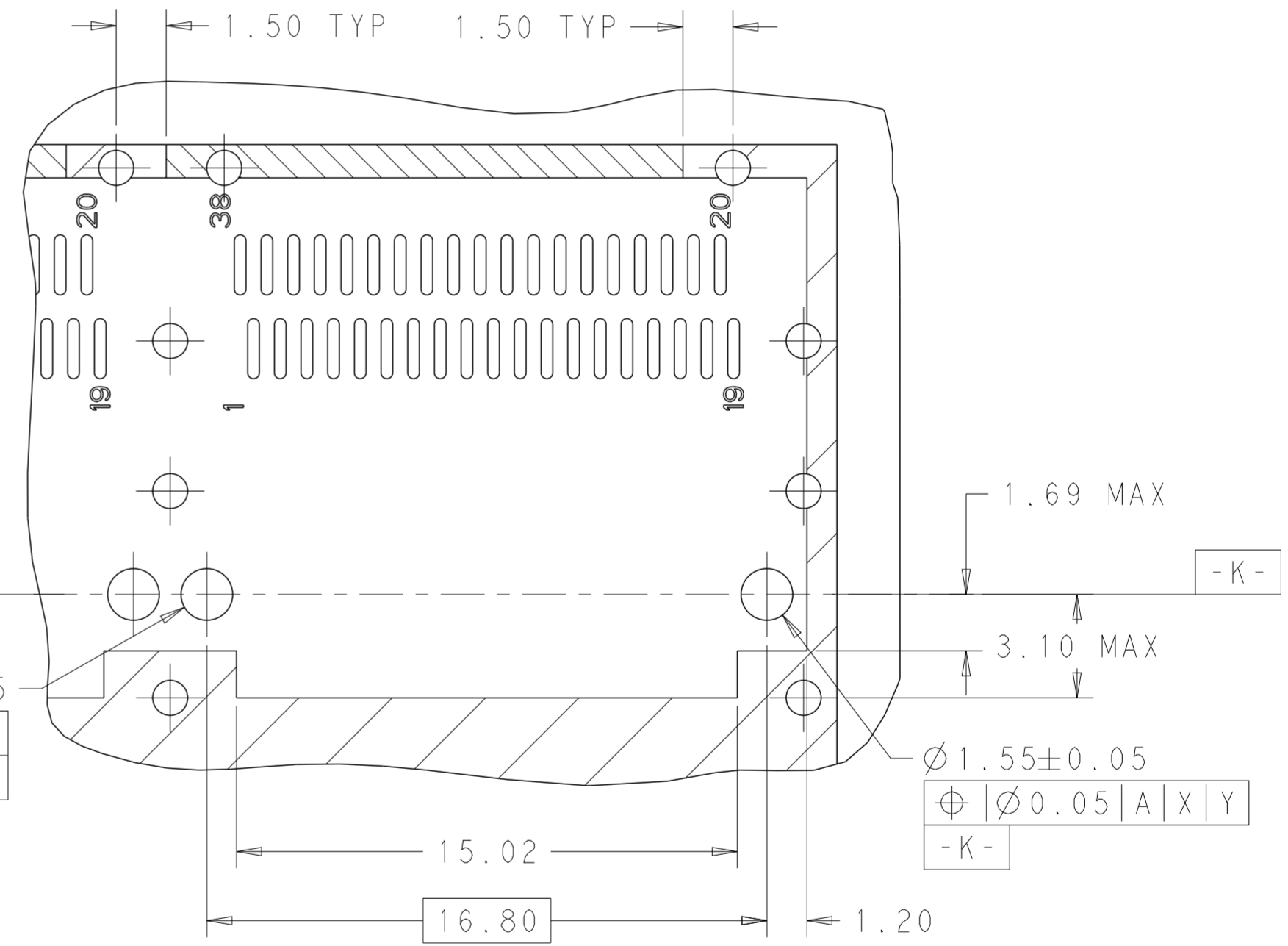
THIS DRAWING IS A CONTROLLED DOCUMENT.		DWN BING LIU 23APR2014	TE Connectivity	
DIMENSIONS: mm		CHK JASON YANG 23APR2014		
TOLERANCES UNLESS OTHERWISE SPECIFIED:		APVD SEAN HAN 31DEC2015	NAME RECEPTACLE CAGE ASSEMBLY WITH HEAT SINKS AND LIGHT PIPES, THRU BEZEL, 1X3, QSFP28	
0 PLC ± 1 PLC ±0.25 2 PLC ±0.2 3 PLC ± 4 PLC ± ANGLES ±		PRODUCT SPEC 108-19428	SIZE A2	
MATERIAL SEE NOTES material_2		APPLICATION SPEC 114-32023	CAGE CODE 00779	DRAWING NO C-2170769
FINISH SEE NOTES finish_spec_2		WEIGHT -	RESTRICTED TO -	SCALE 3:1
CUSTOMER DRAWING			SHEET 1 OF 9	REV A2

THIS DRAWING IS UNPUBLISHED. RELEASED FOR PUBLICATION 20  
 © COPYRIGHT 20 BY - ALL RIGHTS RESERVED.

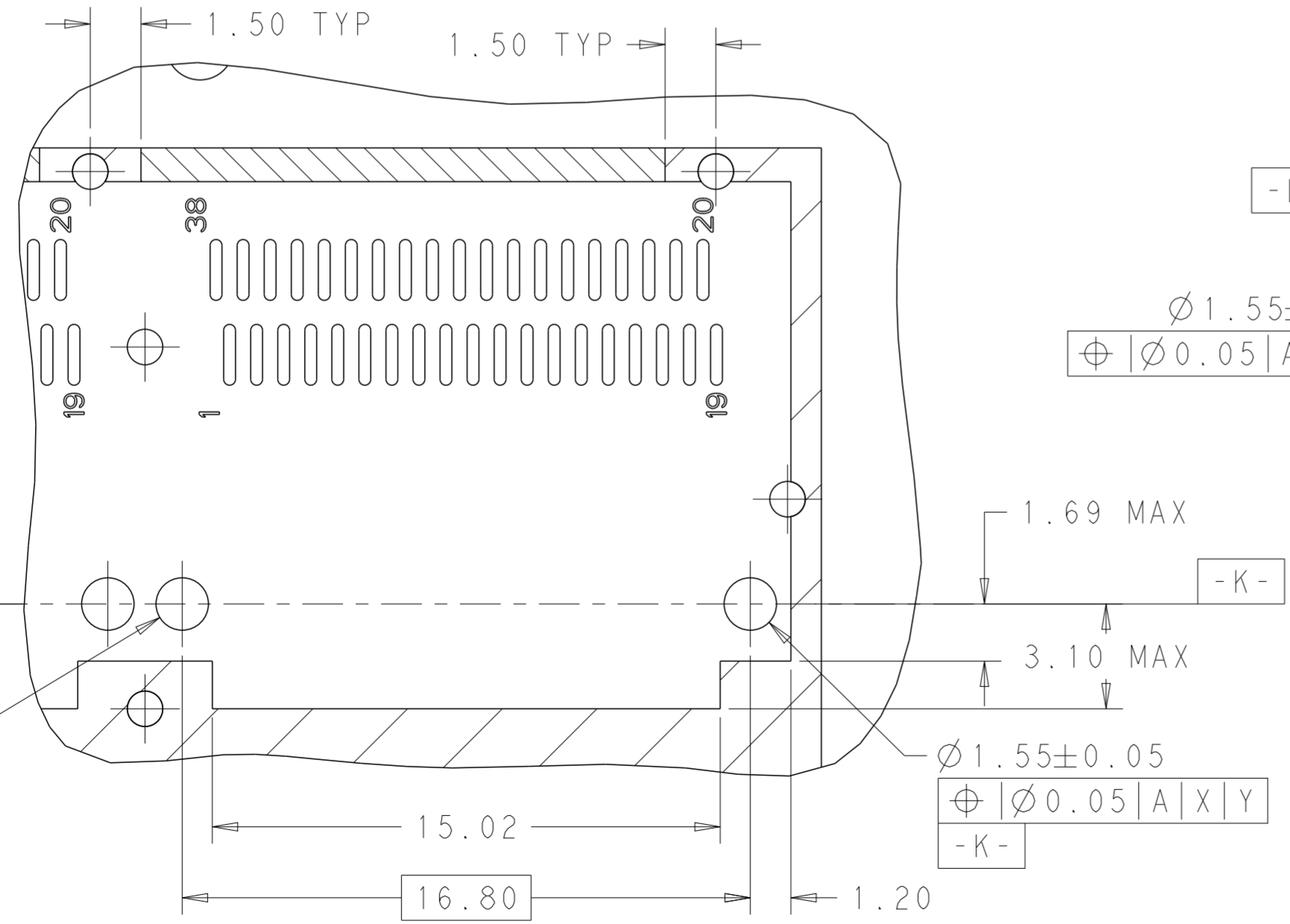
LOC		DIST		REVISIONS			
P	LTR	DESCRIPTION	DATE	DWN	APVD		
rev_sym_1	16EE-8HBEI11			rev.dater	rev.dwn	rev.appr	1
rev_sym_2	rev_desc_2			rev.dater	rev.dwn	rev.appr	2
rev_sym_3	rev_desc_3			rev.dater	rev.dwn	rev.appr	3
rev_sym_4	rev_desc_4			rev.dater	rev.dwn	rev.appr	4



DETAIL D  
SCALE 3:1



DETAIL B  
SCALE 6:1




DETAIL A  
SCALE 6:1

$\varnothing 1.55 \pm 0.05$   
 $\varnothing 0.05$  | A | X | Y  
 -L-

$\varnothing 1.55 \pm 0.05$   
 $\varnothing 0.05$  | A | X | Y  
 -L-

$\varnothing 1.55 \pm 0.05$   
 $\varnothing 0.05$  | A | X | Y  
 -K-

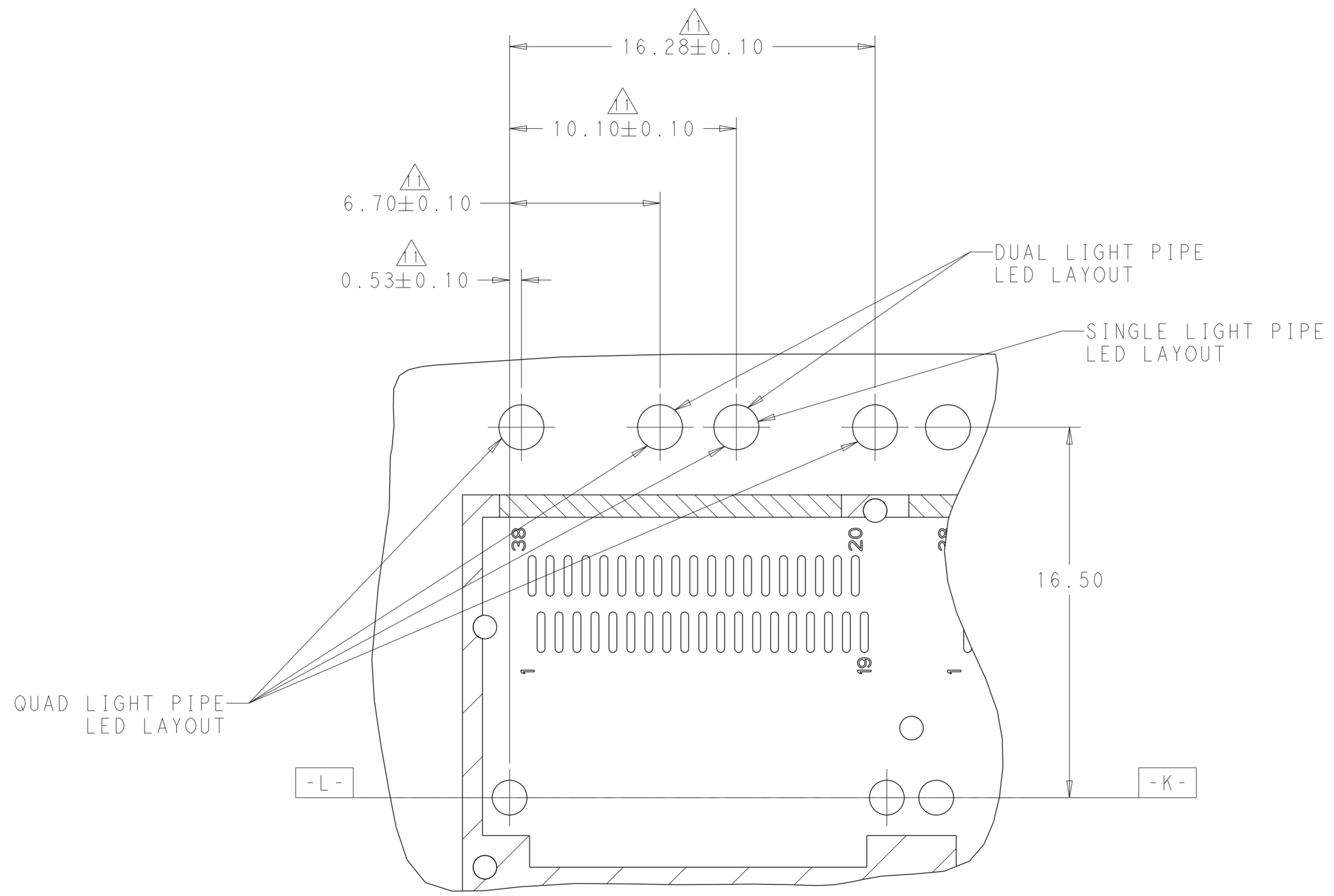
$\varnothing 1.55 \pm 0.05$   
 $\varnothing 0.05$  | A | X | Y  
 -K-

THIS DRAWING IS A CONTROLLED DOCUMENT.		DWN BING LIU 23APR2014	 TE Connectivity
		CHK JASON YANG 23APR2014	
		APVD SEAN HAN 31DEC2015	NAME RECEPTACLE CAGE ASSEMBLY WITH HEAT SINKS AND LIGHT PIPES, THRU BEZEL, 1X3, QSFP28
DIMENSIONS: mm		PRODUCT SPEC 108-19428	SIZE A2
TOLERANCES UNLESS OTHERWISE SPECIFIED: 0 PLC ± 1 PLC ±0.25 2 PLC ±0.2 3 PLC ± 4 PLC ± ANGLES ±		APPLICATION SPEC 114-32023	CAGE CODE A200779
MATERIAL SEE NOTES material_2		FINISH SEE NOTES finish_spec_2	DRAWING NO C-2170769
		WEIGHT -	RESTRICTED TO -
		CUSTOMER DRAWING	SCALE 3:1 SHEET 1 OF 9 REV A2



THIS DRAWING IS UNPUBLISHED. RELEASED FOR PUBLICATION 20  
 © COPYRIGHT 20 BY - ALL RIGHTS RESERVED.

LOC		DIST		REVISIONS			
P	LTR	DESCRIPTION	DATE	DWN	APVD		
rev_sym_1	1666-8HBEI11		rev.date	rev.dwn	rev.appr	.1	
rev_sym_2	rev_desc_2		rev.date	rev.dwn	rev.appr	.2	
rev_sym_3	rev_desc_3		rev.date	rev.dwn	rev.appr	.3	
rev_sym_4	rev_desc_4		rev.date	rev.dwn	rev.appr	.4	



DETAIL E  
SCALE 6:1

THIS DRAWING IS A CONTROLLED DOCUMENT.		DWN BING LIU 23APR2014	TE Connectivity	
		CHK JASON YANG 23APR2014		
		APVD SEAN HAN 31DEC2015	NAME RECEPTACLE CAGE ASSEMBLY WITH HEAT SINKS AND LIGHT PIPES, THRU BEZEL, 1X3, QSFP28	
DIMENSIONS: mm		PRODUCT SPEC 108-19428	SIZE	RESTRICTED TO
TOLERANCES UNLESS OTHERWISE SPECIFIED: 0 PLC ± 1 PLC ±0.25 2 PLC ±0.2 3 PLC ± 4 PLC ± ANGLES ±		APPLICATION SPEC 114-32023	CAGE CODE A200779	DRAWING NO C-2170769
MATERIAL SEE NOTES material_2		FINISH SEE NOTES finish_spec_2	WEIGHT -	SCALE 3:1 SHEET 1 OF 9 REV A2
CUSTOMER DRAWING				