

4

3

2

1

THIS DRAWING IS UNPUBLISHED.

RELEASED FOR PUBLICATION

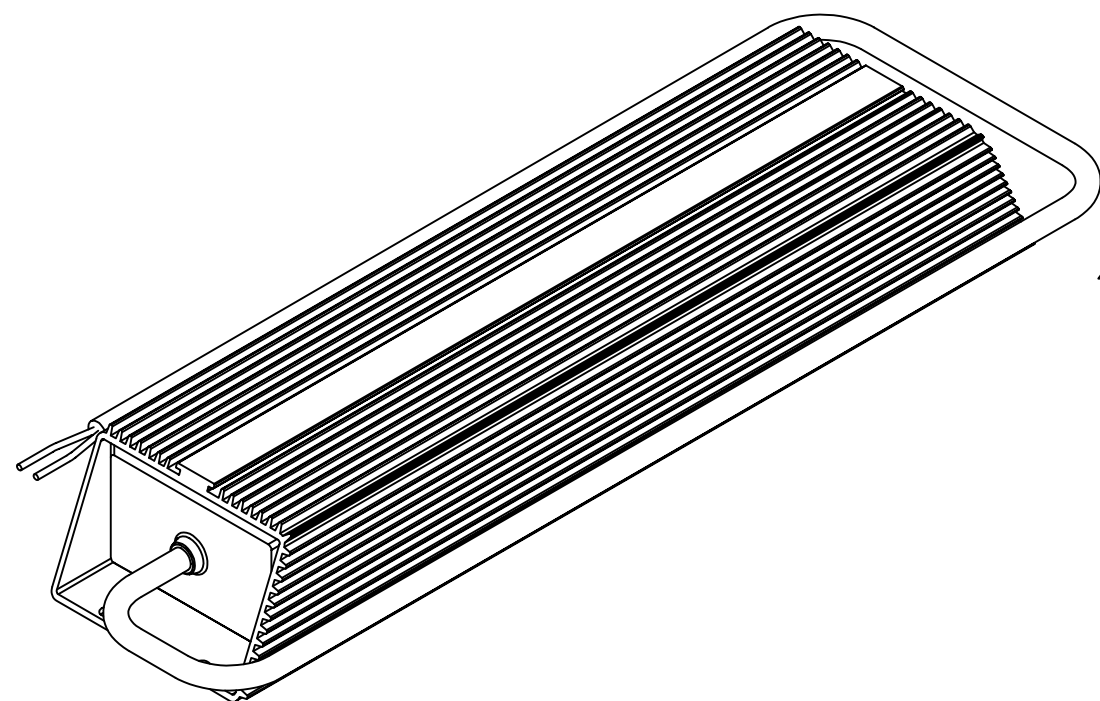
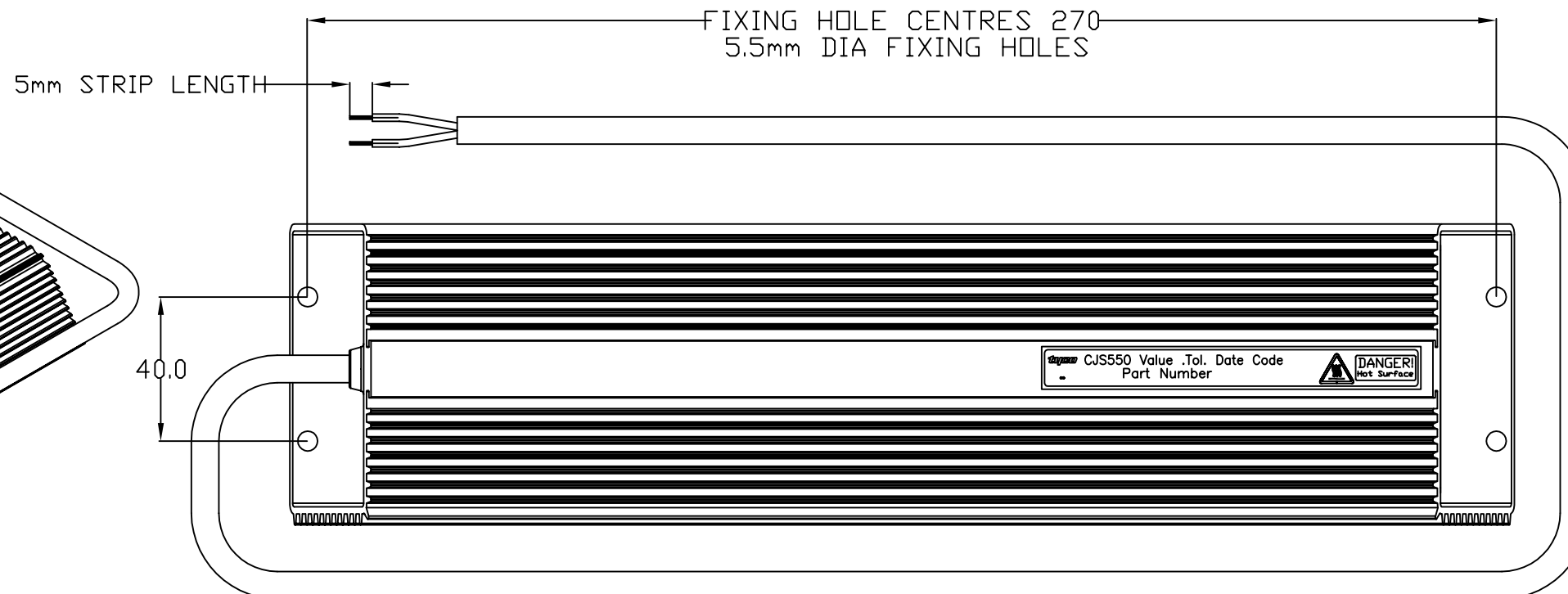
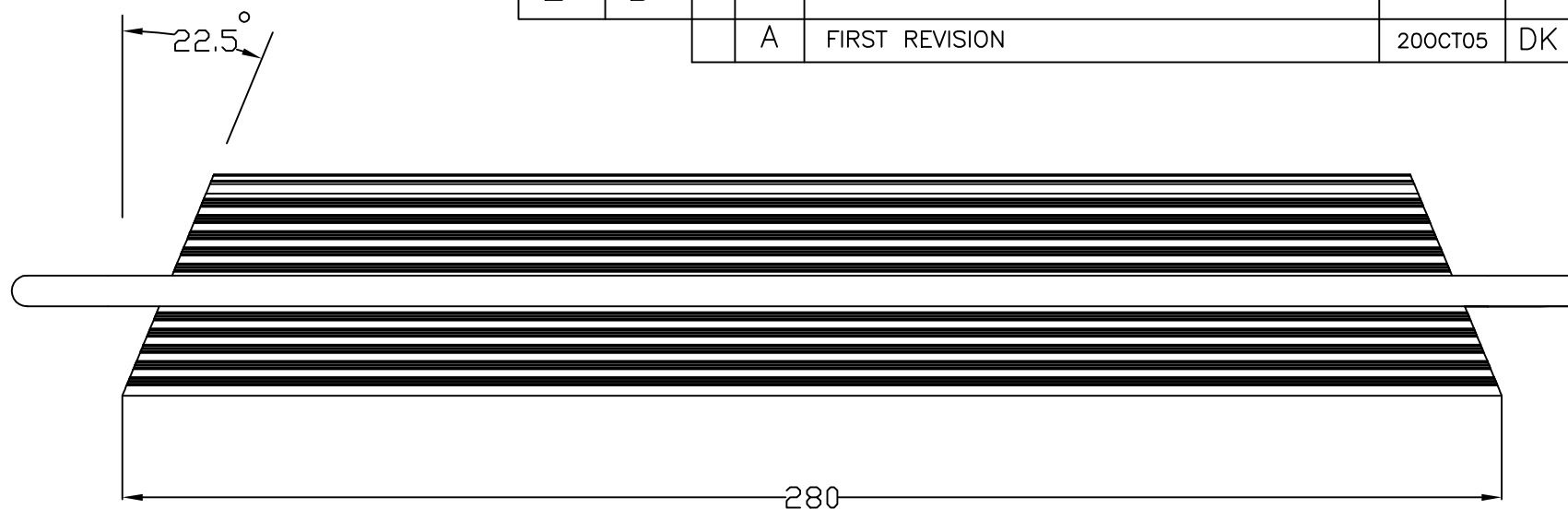
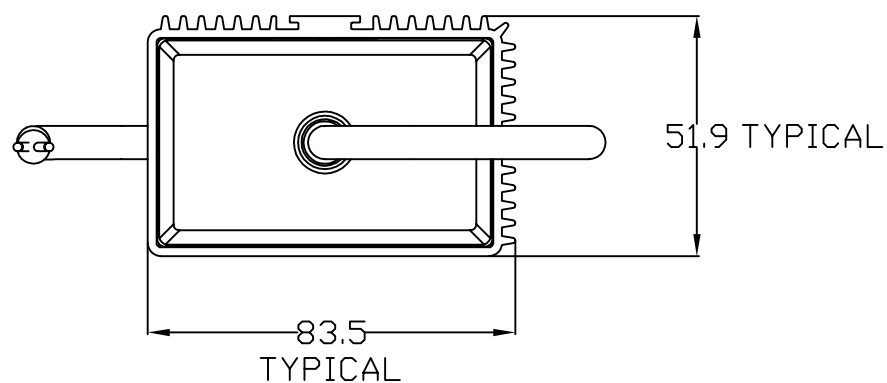
OCT ,2005.

© COPYRIGHT 2005 BY TYCO ELECTRONICS CORPORATION. ALL RIGHTS RESERVED.

LOC E DIST B

REVISIONS

P	LTR	DESCRIPTION	DATE	DWN	APVD
	A	FIRST REVISION	200CT05	DK	JC



CABLE:Silicone Rubber Insulated  
 2 core x 30/0.25mm nickel plated copper conductors  
 Inner cores R.T.I. 0.6mm Grade GPC – Colour Blue  
 Outer sheath to O.D. 6.7mm Grade GPC – Colour Black  
 CONTACT TYCO FOR INFORMATION ON CABLE LENGTH

FOR A SPECIFIC PN FOR A RESISTANCE VALUE AND TOLERANCE, PLEASE REFER TO DMF.

**RoHS Compliant**

THIS DRAWING IS A CONTROLLED DOCUMENT.		DWN DAVE KENNEDY 19OCT05	<b>tyco Electronics</b> Tyco Electronics Corporation Dorcan, Swindon, SN3 5HH	
DIMENSIONS: INCHES		CHK J CATCHPOLE 200CT05	NAME CJS550	
TOLERANCES UNLESS OTHERWISE SPECIFIED:		APVD J CATCHPOLE 200CT05	PRODUCT SPEC -	
0 PLC ± -		APPLICATION SPEC -	SIZE A3	
1 PLC ± -		WEIGHT -	CAGE CODE 00779	DRAWING NO ©=1676494
2 PLC ± -		RESTRICTED TO -		
3 PLC ± -		CUSTOMER DRAWING		
4 PLC ± -		SCALE NTS		
ANGLES ± -		SHEET 1 OF 1		
FINISH -		REV A		