



EVQ3367A-R-00A

6-Channel, Maximum 150mA/Ch Boost WLED Driver with 15000:1 Dimming Ratio and I²C Evaluation Board, AEC-Q100 Qualified

DESCRIPTION

The EVQ3367A-R-00A is an evaluation board designed to demonstrate the capabilities of the MPQ3367A, a step-up converter with six channel current sources. It is designed to drive white LED arrays as backlighting for small- and medium-sized LCD panels.

The device uses peak current mode as its pulse-width modulation (PWM) control architecture to regulate the boost converter. Six channel current sources are applied to the LED cathode to adjust the LED brightness. The MPQ3367A regulates the current in each LED string to the value set by an external current-setting resistor, with 2.5% current regulation accuracy between strings.

A low on resistance MOSFET and low headroom voltage improve efficiency. For ease of use, the MPQ3367A features a standard I²C digital interface. The switching frequency (f_{sw}) can be configured via a resistor, the I²C interface, or an external clock.

The MPQ3367A features analog, PWM, and mixed dimming modes with a PWM input. The dimming mode can be selected with the I²C interface or the MIX/AD pin. The device also has a phase shift function to eliminate noise during PWM dimming.

Protection features include over-current protection (OCP), over-voltage protection (OVP), over-temperature protection (OTP), and LED short and open protection. The LED current also decreases automatically at high temperatures.

The MPQ3367A is available in a QFN-24 (4mmx4mm) package.

ELECTRICAL SPECIFICATIONS

Parameter	Symbol	Value	Units
Input voltage	V _{IN}	12	V
Output voltage	V _{LED}	<50	V
LEDs	-	6 strings	-
LED current/string	I _{LED}	50	mA

FEATURES

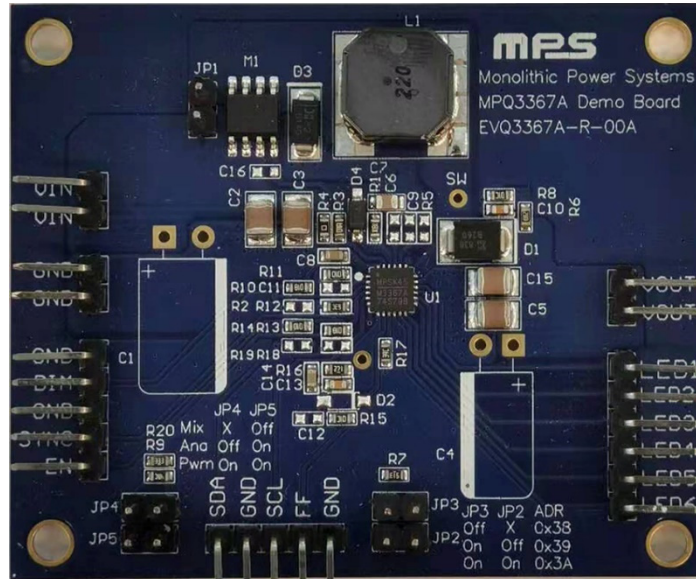
- 3.5V to 36V Operating Input Voltage
- 6 Channels with Maximum 150mA per Channel
- Internal 100mΩ, 50V MOSFET
- Up to 2.2MHz Configurable Switching Frequency (f_{sw})
- External Sync SW Function
- Multi-Dimming Operation Mode through Pulse-Width Modulation (PWM) Input:
 - Direct PWM Dimming
 - Analog Dimming
 - Mix Dimming with 25% or 12.5% Transfer Point
- 15000:1 Dimming Ratio during PWM Dimming when f_{PWM} ≤ 200Hz
- 200:1 Dimming Ratio during Analog Dimming through PWM Dimming Signal Input
- Excellent EMI Performance
- Frequency Spread Spectrum
- I²C Interface, 3 Selectable IC Addresses
- Phase Shift Function for PWM Dimming
- 2.5% Current Matching
- Cycle-by-Cycle Current Limiting
- Disconnect V_{OUT} from V_{IN}
- LED Current Auto-Decrement at High Temperatures
- LED Short/Open Protection, Over-Current Protection (OCP), Over-Temperature Protection (OTP), Inductor Short Protection
- Programmable LED Short and Over-Voltage Protection (OVP) Thresholds
- Fault Indicator Signal Output
- Available in a QFN-24 (4mmx4mm) Package
- Available in Grade AEC-Q100 Grade 1

APPLICATIONS

- Tablets/Notebooks
- Automotive Displays

All MPS parts are lead-free, halogen-free, and adhere to the RoHS directive. For MPS green status, please visit the MPS website under Quality Assurance. "MPS", the MPS logo, and "Simple, Easy Solutions" are trademarks of Monolithic Power Systems, Inc. or its subsidiaries.

EVQ3367A-R-00A EVALUATION BOARD



LxW (6.35cmx5.25cm)

Board Number	MPS IC Number
EVQ3367A-R-00A	MPQ3367AGRE

QUICK START GUIDE

1. Provide a voltage source (3.5V to 36V) between the VIN terminal and GND on the evaluation board.
2. Connect the LED load (6 strings) terminals to:
 - a. Positive (+): LED+
 - b. Negative (-): LED1~6 pins
3. Drive EN high to turn the converter on; drive EN low to turn it off.
4. Add a 100Hz to 20kHz PWM pulse to the PWM terminal.

If using the I²C to configure the IC, follow the steps below:

1. Connect the SCL, SDA, and GND pins of the evaluation board to their respective pin locations on the I²C kit (EVKT-USBI2C-02).
2. Write to and read the registers using the steps below:
 - a. Ensure that the I²C kit can communicate with the computer. If the message “USB is not connected” appears on the GUI, then the I²C kit cannot communicate with the computer (see Figure 1). Otherwise, the GUI and I²C kit are able to communicate. ⁽¹⁾

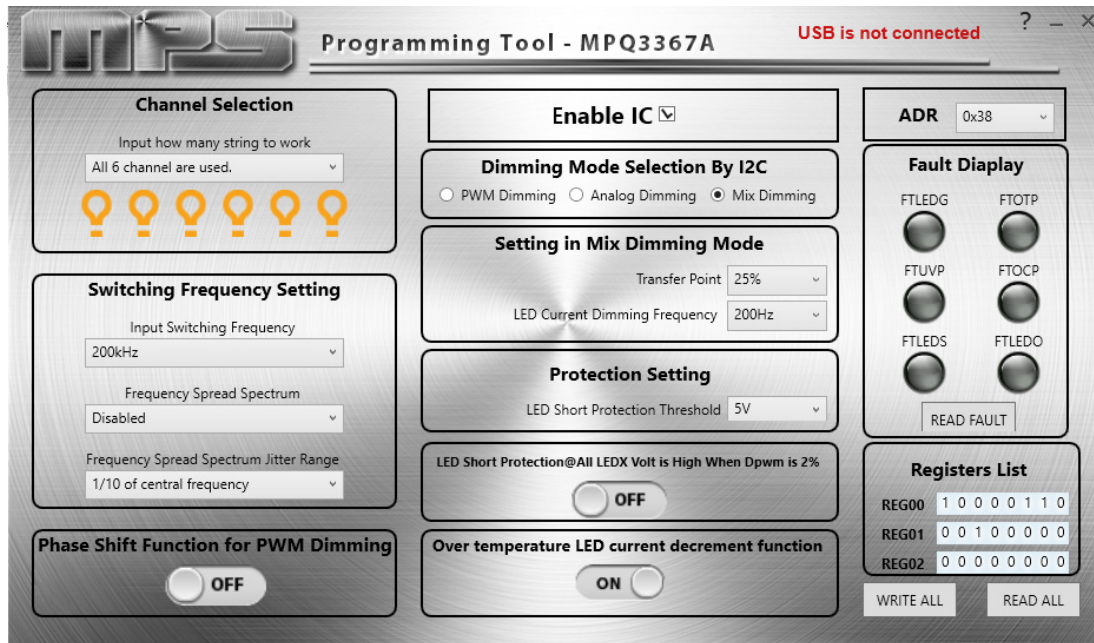


Figure 1: MPQ3367A GUI

- b. Use the GUI to adjust the parameters.
- c. After setting the parameters, click the “WRITE ALL” button to send the data to the IC.
- d. To check that the data has been written to the IC, click the “READ ALL” button.

Note:

- 1) The GUI can be downloaded from the MPS website.

EVALUATION BOARD SCHEMATIC

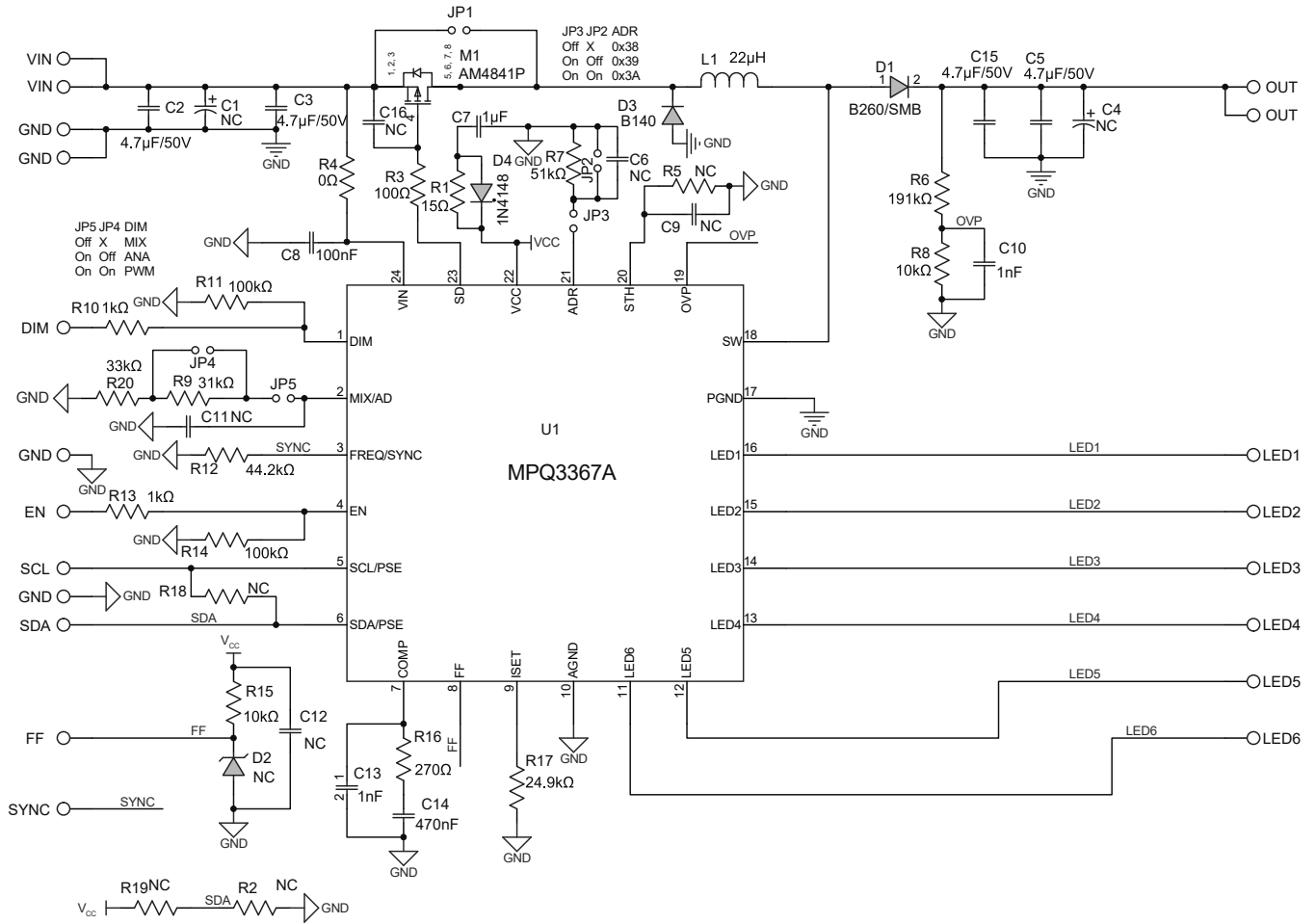


Figure 2: Evaluation Board Schematic

EVQ3367A-R-00A BILL OF MATERIALS

Qty	Ref	Value	Description	Package	Manufacturer	Manufacturer PN
1	C1	NC	Electrolytic capacitor, 100 μ F, 50V	DIP		
4	C2, C3, C5, C15	4.7 μ F	Ceramic capacitor, 50V, X7R	1210	Murata	GCM32ER71H475KA55L
1	C4	NC	Electrolytic capacitor, 22 μ F, 50V	DIP		
1	C7	1 μ F	Ceramic capacitor, 25V, X7R	0805	Murata	GCM21BR71E105KA56L
1	C8	100nF	Ceramic capacitor, 50V, X7R	0603	TDK	GCM188R71H104KA57D
5	C6, C9, C11, C12, C16	NC		0603		
2	C10, C13	1nF	Ceramic capacitor, 16V, X7R	0603	Wurth	885012206034
1	C14	470nF	Ceramic capacitor, 16V, X7R	0603	TDK	GCM188R71C474KA55D
1	D1	2A	Schottky diode, 60V	SMB	Diodes, Inc.	B260
1	D2	NC	Zener diode, 3.3V	SOD-123		
1	D3	1A	Schottky diode, 40V	SMA	Diodes, Inc.	B140
1	D4	0.15A	Diode, 75V	SOD-123	Changdian	1N4148W
5	JP1, JP2, JP3, JP4, JP5	2.54mm	2-pin connector	CONN/DIP	Any	
1	L1	22 μ H	Inductor, 68.1m Ω , I _{SAT} = 4.2A	SMD	Murata	1274AS-H-220M=P3
1	M1	-40V	P-channel MOSFET, 9A	MOS/SO8	Analog Power	AM4841P
1	R1	15 Ω	Film resistor, 1%	0603	Yageo	RC0603FR-0715RL
4	R2, R5, R18, R19	NC	Film resistor, 1%	0603		
1	R3	100 Ω	Film resistor, 1%	0603	Yageo	RC0603FR-07100RL
1	R4	0 Ω	Film resistor, 1%	0603	Yageo	RC0603FR-070RL
1	R6	191k Ω	Film resistor, 1%	0603	Yageo	RC0603FR-07191KL
1	R7	51k Ω	Film resistor, 1%	0603	Synton-Tech	RC0603FR-0751KL
2	R8, R15	10k Ω	Film resistor, 1%	0603	Yageo	RC0603FR-0710KL
1	R9	30.9k Ω	Film resistor, 1%	0603	Yageo	RC0603FR-0730K9L
2	R10, R13	1k Ω	Film resistor, 1%	0603	Yageo	RC0603FR-071KL
2	R11, R14	100k Ω	Film resistor, 1%	0603	Yageo	RC0603FR-07100KL
1	R12	44.2k Ω	Film resistor, 1%	0603	Yageo	RC0603FR-0744K2L
1	R16	270 Ω	Film resistor, 1%	0603	Yageo	RC0603FR-07270RL
1	R17	24.9k Ω	Film resistor, 1%	0603	Yageo	RC0603FR-0724K9L
1	R20	33k Ω	Film resistor, 1%	0603	Yageo	RC0603FR-0733KL
1	U1	MPQ3367A	Six-channel LED driver	QFN-24 (4mmx4mm)	MPS	MPQ3367AGRE

PCB LAYOUT

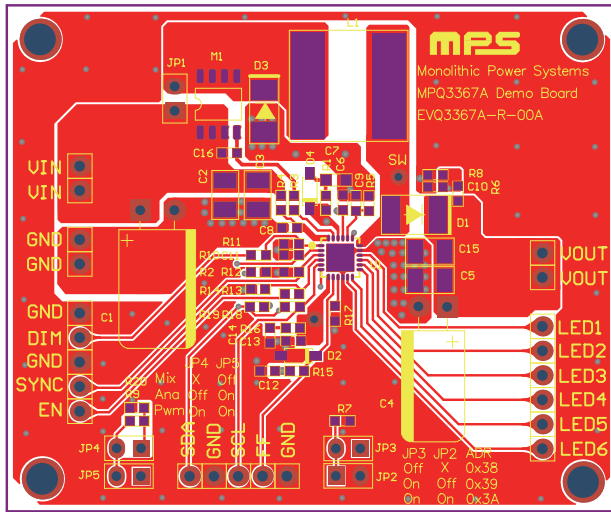


Figure 3: Top Layer

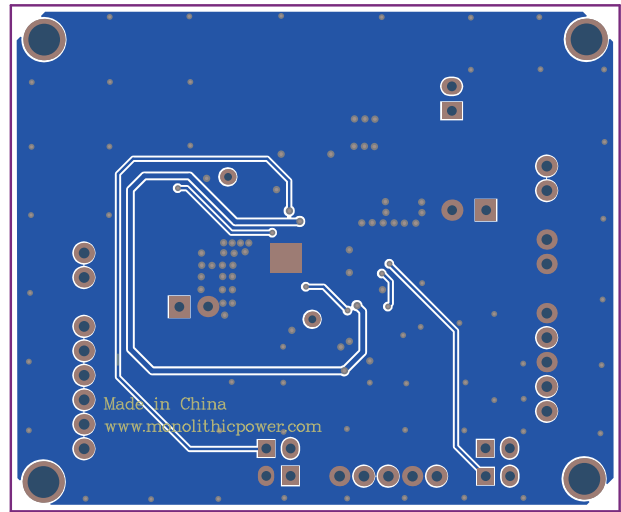


Figure 4: Bottom Layer

REVISION HISTORY

Revision #	Revision Date	Description	Pages Updated
1.0	5/10/2021	Initial Release	-

Notice: The information in this document is subject to change without notice. Please contact MPS for current specifications. Users should warrant and guarantee that third-party Intellectual Property rights are not infringed upon when integrating MPS products into any application. MPS will not assume any legal responsibility for any said applications.