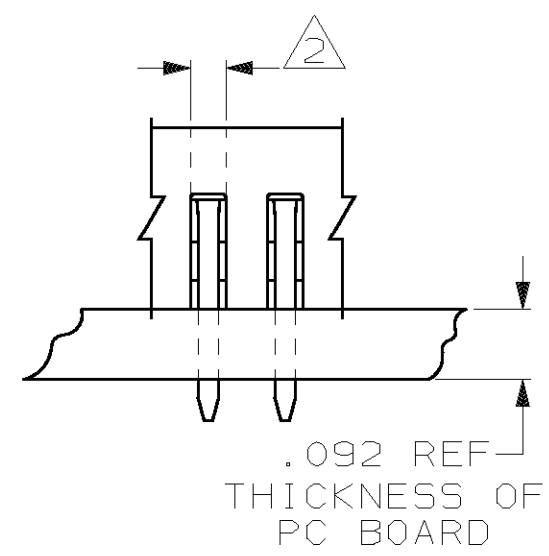
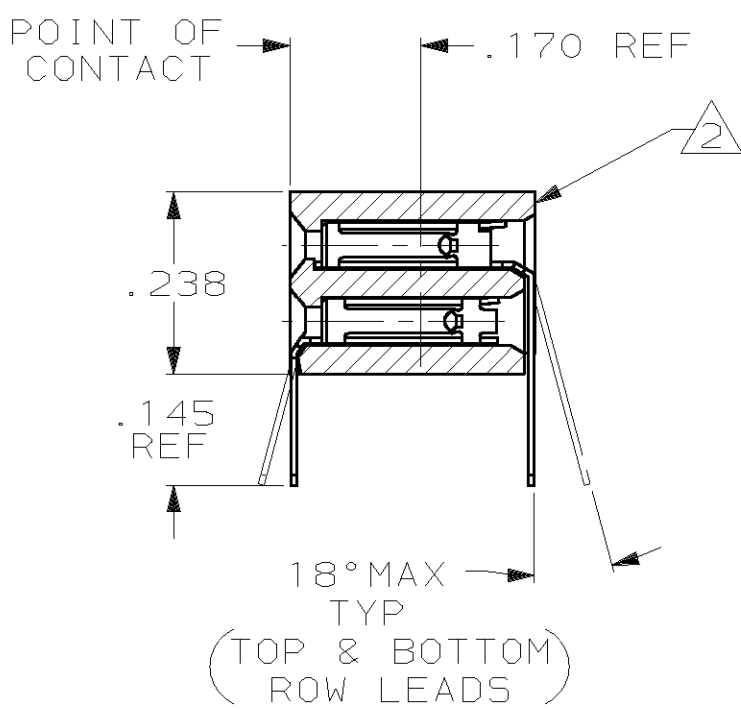
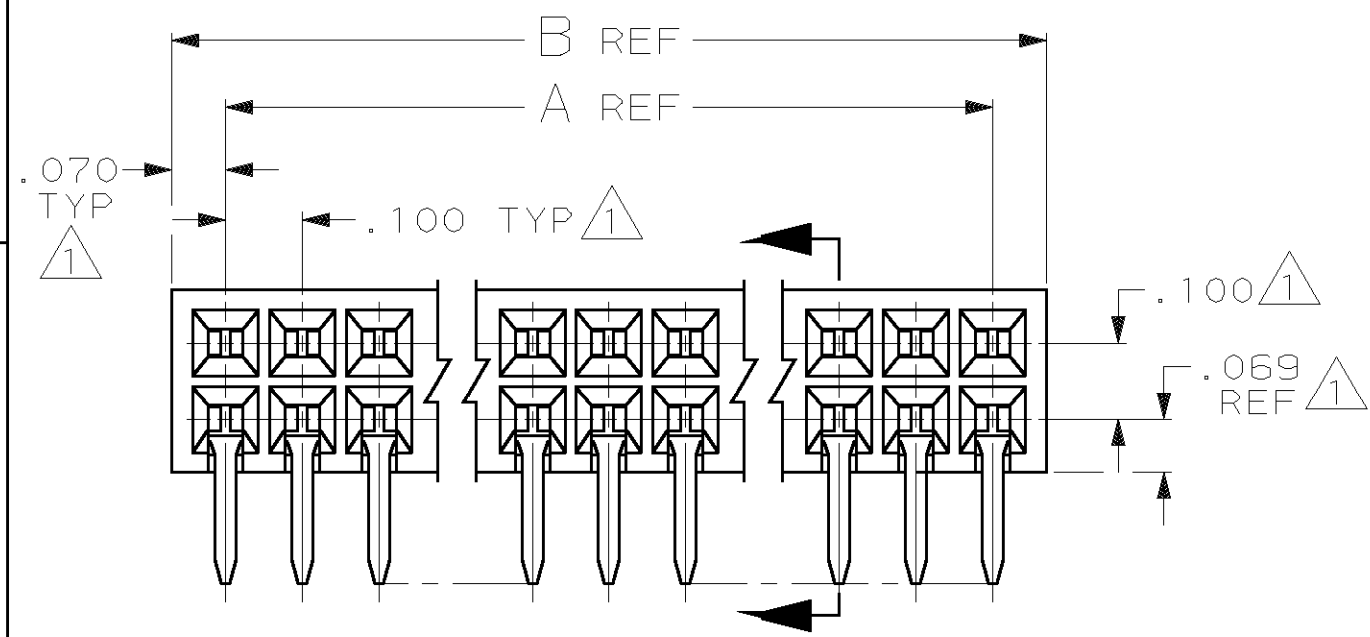
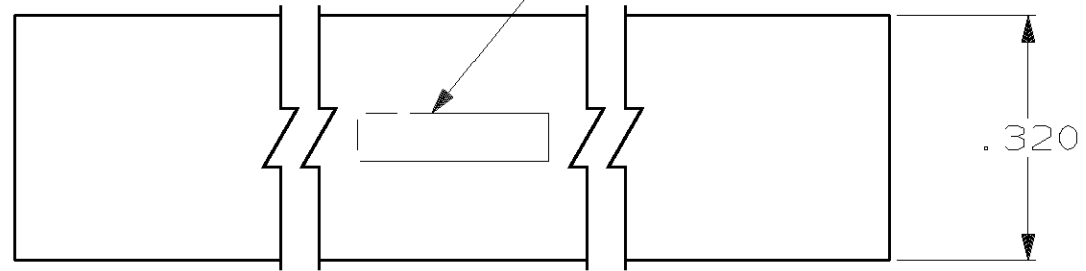


THIS DRAWING IS UNPUBLISHED. RELEASED FOR PUBLICATION, 19
 © COPYRIGHT 19 BY AMP INCORPORATED. ALL INTERNATIONAL RIGHTS RESERVED.

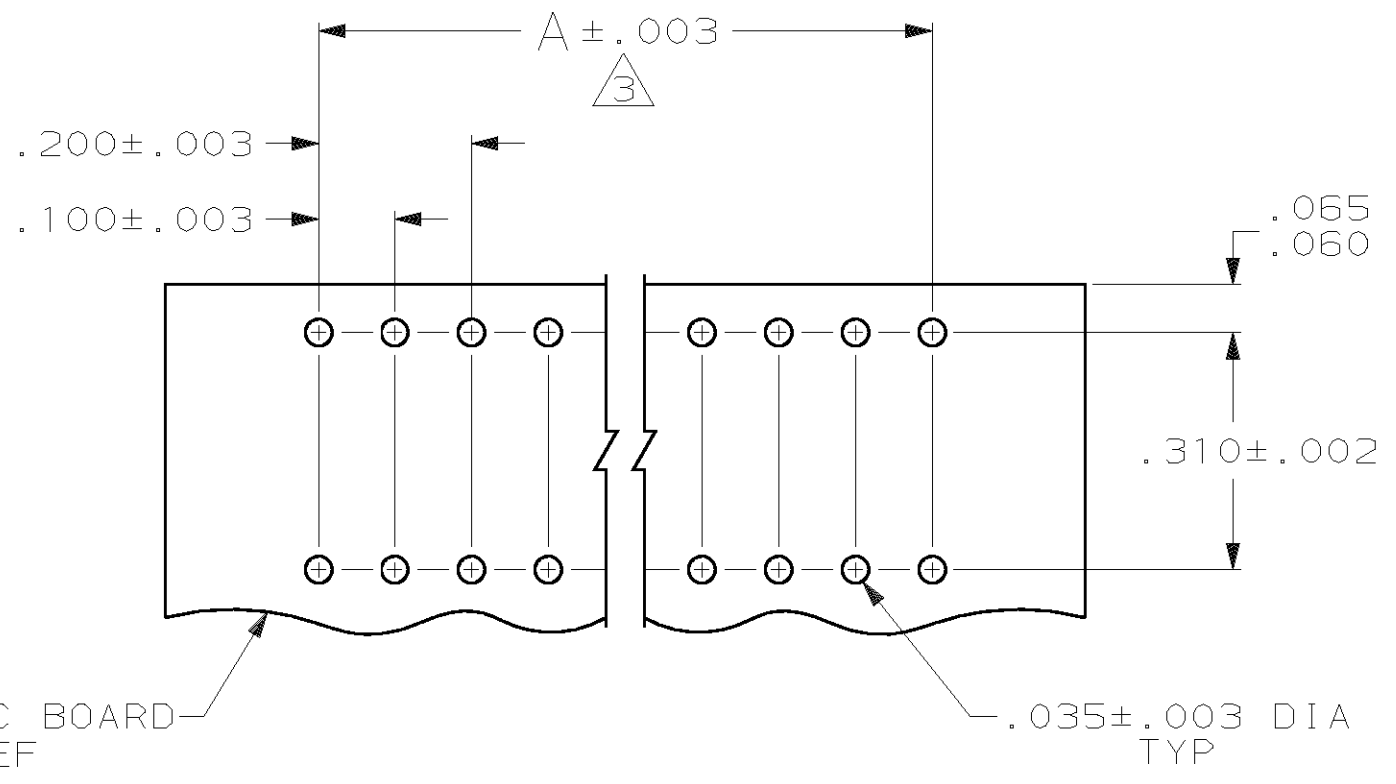
LOC	DIST	P	F	ZONE	LTR	REVISIONS		
						DESCRIPTION	DATE	APPD
DF	Z0				C	REV/REDRAWN PER AD6137	10/20/92	TK
					D	REV PER 0600-5131-96 TA	11-19-96	GA
					E	REV PER 0600-8506-99 JEB	2-00	DM

"AMP", PART NO., DATE CODE AND THE WORD "FRONT" MARKED IN APPROX. CENTER OF PART WITH .062±.016 HIGH CHAR. WHEN PART IS PHYSICALLY TOO SMALL FOR THIS INFORMATION (FEWER THAN 16 POS.) MARK THE FOLLOWING :
 14,12,10 POS. - AMP & PART NUMBER. 8 & FEWER POS. - NO MARKING. \triangle



- \triangle 1 THESE DIMENSIONS PERTAIN TO CAVITY CENTER LINES ONLY, NOT TO CONTACT LOCATIONS.
- \triangle 2 SLOT OPTIONAL AT INDICATED AREAS OF HOUSING.
- \triangle 3 TOLERANCES NOT ACCUMULATIVE.
- \triangle 4 MARKING FOR 1-87377-7 TO INCLUDE :
 "AMP", AMP'S CODE IDENTIFICATION NO. 00779.
 AMP P/N, DATE CODE, CUSTOMER P/N SM-C-875403
 AND THE WORD "FRONT"
- \triangle 5 ADVANCE PART NO. ASSIGNED.
- 6. MARK "CSA" LOGO ON PART.

ASSEMBLY PART NUMBER	NO OF POSN	A	B	87377
OBSOLETE	-	-	-	2-87377-3
OBSOLETE	1.040	.900	20	2-87377-2
OBSOLETE	-	-	-	2-87377-1
	4.340	4.200	86	2-87377-0
	3.340	3.200	66	1-87377-9
	2.040	1.900	40	1-87377-8
	5.040	4.900	100	\triangle 1-87377-7
OBSOLETE	-	-	-	1-87377-6
OBSOLETE	-	-	-	1-87377-5
	4.740	4.600	94	1-87377-4
OBSOLETE	-	-	-	1-87377-3
	1.840	1.700	36	1-87377-2
	6.540	6.400	130	1-87377-1
	5.940	5.800	118	1-87377-0
	5.540	5.400	110	87377-9
OBSOLETE	-	-	-	87377-8
	3.940	3.800	78	87377-7
	2.940	2.800	58	87377-6
OBSOLETE	-	-	-	87377-5
	3.240	3.100	64	87377-4
	2.540	2.400	50	87377-3
	2.440	2.300	48	87377-2
	1.940	1.800	38	87377-1
B	A	NO OF POSN	ASSEMBLY PART NUMBER	



RECOMMENDED PC BOARD LAYOUT

DO NOT SCALE PRINT. UNLESS SPECIFIED DIMENSIONS IN mm [INCHES] TOLERANCES ON : 2 PLC DEC ± - 3 PLC DEC ± .010 ANGLES ± -		DR 10/02/92 J.MARTINELLI CHK 10/20/92 T.KINSEY APPD 10/20/92 T.KINSEY APPD 10/20/92 B.FLINCHBAUGH	AMP AMP Incorporated Harrisburg, PA 17105-3608 NAME AMPMODU, MOD II, RECEPTACLE ASSEMBLY DOUBLE ROW, .100 ϕ , HORIZONTAL, CLOSED ENTRY, SHORT POINT OF CONTACT, .145 SOLDER LEAD	
MATERIAL HOUSING: POLYPHENYLENE SULFIDE COLOR-NATURAL CONTACT: PHOSPHOR BRONZE	FINISH CONTACTS: .000050 GOLD OVER .000030 TO .000150 NICKEL ENTIRE CONTACT	APPLICATION SPEC -	SIZE ϕ 00779	DRAWING NO C- 87377
THIS DRAWING IS A CONTROLLED DOCUMENT FOR AMP INCORPORATED. IT IS SUBJECT TO CHANGE AND THE CONTROLLING ENGINEERING ORGANIZATION SHOULD BE CONTACTED FOR THE LATEST REVISION.		WEIGHT -	SCALE 4:1	SHEET 1 OF 1